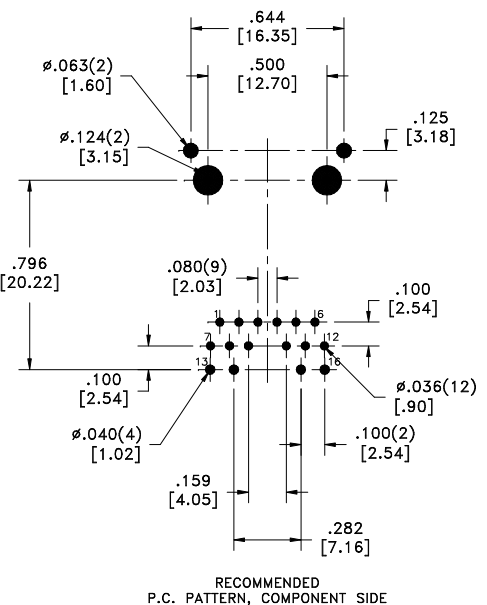
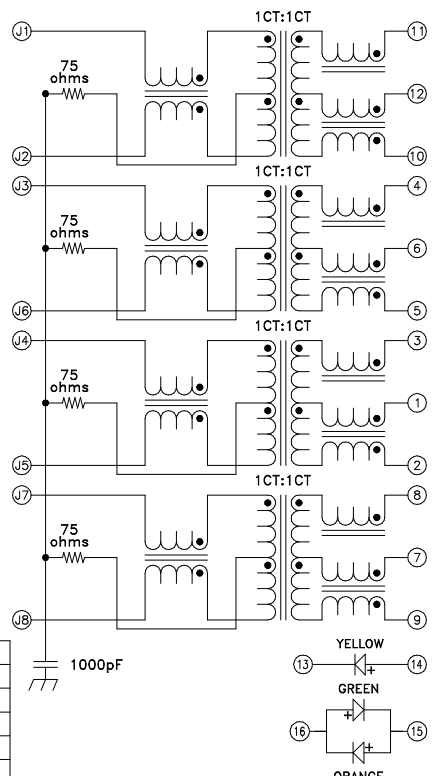
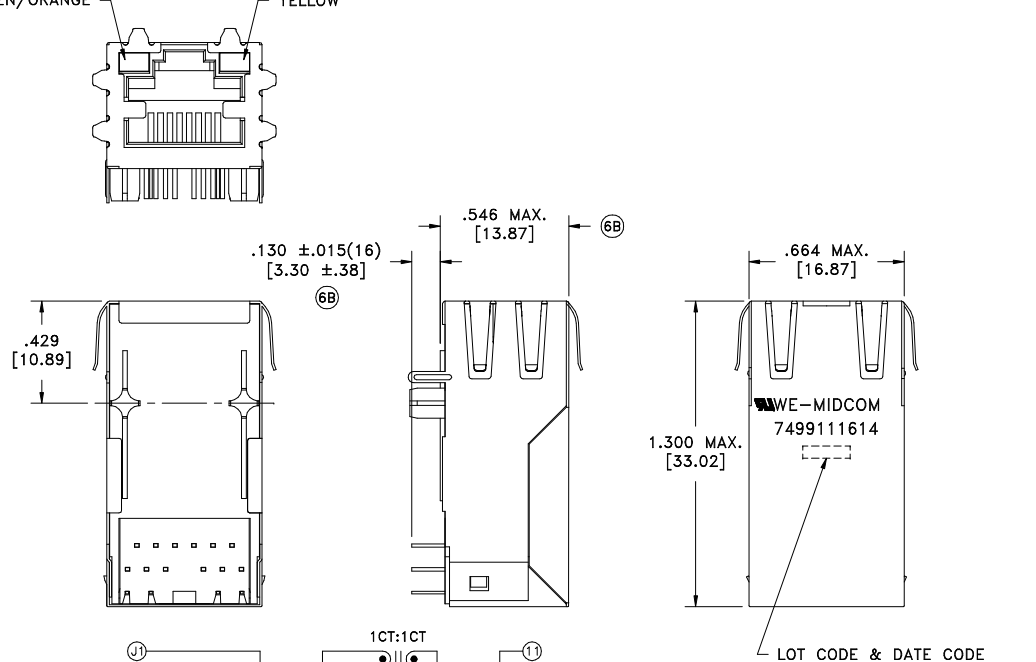


GREEN/ORANGE YELLOW



ELECTRICAL SPECIFICATIONS @ 25°C unless otherwise noted:

| PARAMETER | TEST CONDITIONS | VALUE | |
|----------------|-----------------|----------------------------|--------------------|
| INDUCTANCE | J1-J2 | 100kHz, 100mVAC, 8mADC, Lp | 350uH min. |
| INDUCTANCE | J3-J6 | 100kHz, 100mVAC, 8mADC, Lp | 350uH min. |
| INDUCTANCE | J4-J5 | 100kHz, 100mVAC, 8mADC, Lp | 350uH min. |
| INDUCTANCE | J7-J8 | 100kHz, 100mVAC, 8mADC, Lp | 350uH min. |
| DIELECTRIC | P1-12 to J1-J8 | - | 1500Vrms, 1 minute |
| URNS RATIO | | Per schematic | - |
| INSERTION LOSS | 1M - 100MHz | | -1.0dB max. |
| RETURN LOSS | 1M - 30MHz | | -18dB min. |
| RETURN LOSS | 30M - 60MHz | | -15dB min. |
| RETURN LOSS | 60M - 80MHz | | -12dB min. |
| RETURN LOSS | 80M - 100MHz | | -10dB min. |
| CROSSTALK | 1M - 100MHz | | -30dB typ. |
| CMRR | 1M - 100MHz | | -35dB min. |
| CMRR | 100M - 500MHz | | -25dB min. |

GENERAL SPECIFICATIONS:
OPERATING TEMPERATURE RANGE: 0°C to +70°C.

| REV. | DATE |
|------|-------|
| 6B | 12/08 |
| 6A | 9/08 |

Packaging Specifications
Method: Tray
PKG-0573
www.midcom-inc.com

Unless otherwise specified:
Tolerances: Fractions: ±1/64
Angles: ±1° Decimals: ±.010 [.25]
This drawing is dual dimensioned. Dimensions in brackets are in millimeters.

DRAWING TITLE
TRANSFORMER GIGABIT
eiSos p/n: 7499111614

Midcom WE
www.midcom-inc.com

DRAWING NO.
7499111614
REVISIONS: SEE SHEET 1 SCALE --- SHEET 2 OF 6

| AGENCY NUMBER | |
|---------------|---------|
| UL60950-1 | E205930 |

X-ON Electronics

Largest Supplier of Electrical and Electronic Components

Click to view similar products for [Modular Connectors / Ethernet Connectors](#) category:

Click to view products by [Wurth](#) manufacturer:

Other Similar products are found below :

[RJE231881317T](#) [MP1010RX-1000](#) [MP44RX-1000](#) [GAX-3-66](#) [GAX-8-62](#) [93606-0253](#) [GD-A-44](#) [GDCX-PA-66-50](#) [GDCX-PN-64](#) [GDCX-PN-66](#) [GDCX-PN-66-50](#) [GDLX-A-66](#) [GDLX-A-88](#) [GDLX-N-66](#) [GDLX-S-66](#) [GDLX-S-88K](#) [GDTX-S-88-50](#) [GDX-PA-1010](#) [GLX-N-1010M-BLK](#) [GLX-S-88M-BLK](#) [GMX-N-1010](#) [GMX-S-1010](#) [GMX-S-66](#) [GMX-SMT2-N-1010](#) [GMX-SMT2-N-64-50](#) [GMX-SMT2-N-88](#) [GMX-SMT2-S6-88](#) [GMX-SMT4-N-88](#) [GPX-2-64](#) [GRT1-BT1-5](#) [GSGX-N-2-88](#) [GSX-NS2-88-3.05](#) [GSX-NS2-88-3.05-50](#) [GSX-NS-88-3.05-30](#) [GSX-NS-88-3.05-50](#) [GSX-NS-88-3.68](#) [1-1775629-2](#) [GWLX-S-88-GR](#) [GWLX-S9-88-YG](#) [1300500326](#) [1300500227](#) [1300530003](#) [1300570002](#) [1324640-4](#) [RJ11FTVC2G](#) [RJ11FTVC2N](#) [RJFTVX2SA1G](#) [132764-001](#) [1400000](#) [1413235](#)