

## Integrated PoE 10/100 Base-T RJ45

**Midcom**


LANDatacom

### Electrical Characteristics

Inductance	350uH Min.	0.1Vrms, 100kHz, 8mADC
Dielectric Rating	1500VAC	for 1 minute
Turns Ratio	1CT:1	±2%
Insertion Loss	-1.0dB max.	1MHz-100MHz
Return Loss	-18dB min.	1MHz-30MHz
	-16dB min.	30MHz-45MHz
	-14dB min.	45MHz-60MHz
	-12dB min.	60MHz-80MHz
Cross Talk	-35dB min.	1MHz-100MHz
Common Mode Rejection	-35dB min.	1MHz-100MHz

Note1: Electrical Characteristics for individual part may vary; see specification sheet for actual values.

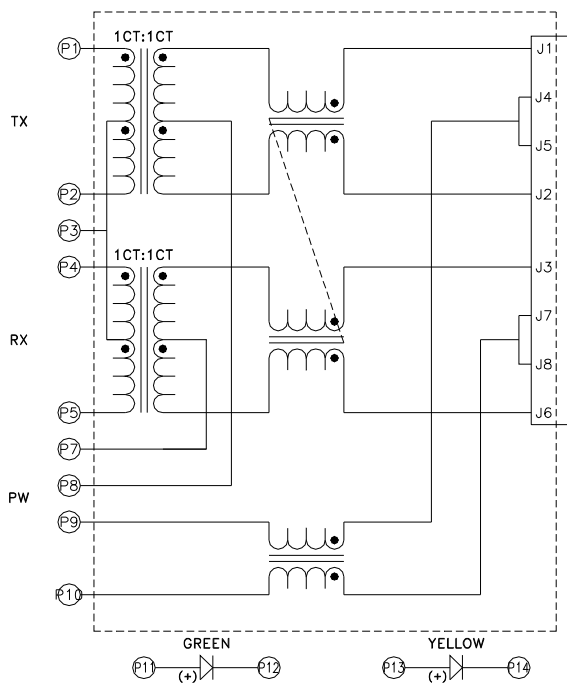
### Features

- Through hole
- AutoMDIX compatible
- PoE compatible (designed for 350mADC and 802.3af)
- Operating Temperature 0°C to 70°C
- Optional pin-outs and LEDs
- Industry standard connector footprint
- Optimum performance
- Cost Effective
- RoHS compliant

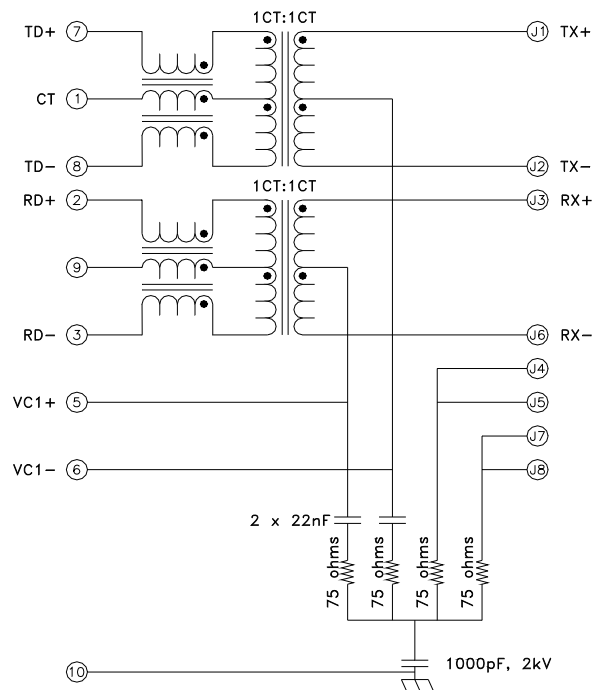
Part Number	LED (left-right)	Tab Direction	EMI Tabs	Schematic	Mechanical
MIC64013-5180	Green-Yellow	Down	Yes	1	1
7499211420	Green/Yellow-Green	Up	Yes	2	2
7499211122	Yellow-Green	Down	Yes	3	3
7499211123	Yellow-Green	Down	Yes	4	3

# Integrated PoE 10/100 Base-T RJ45

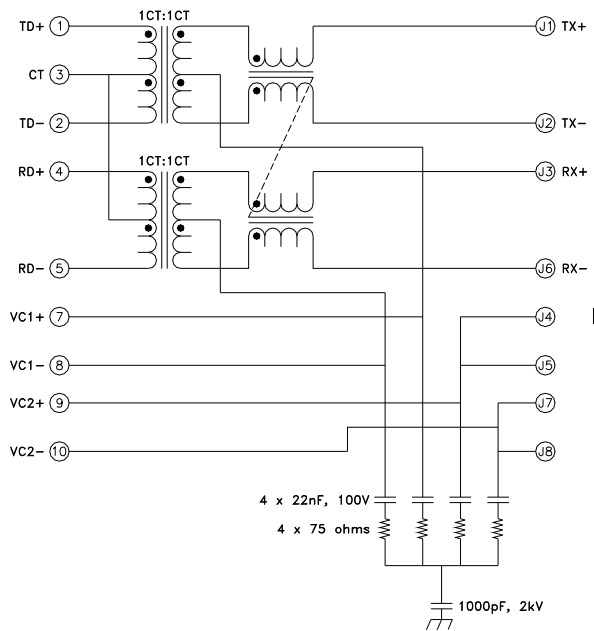
LANDatacom



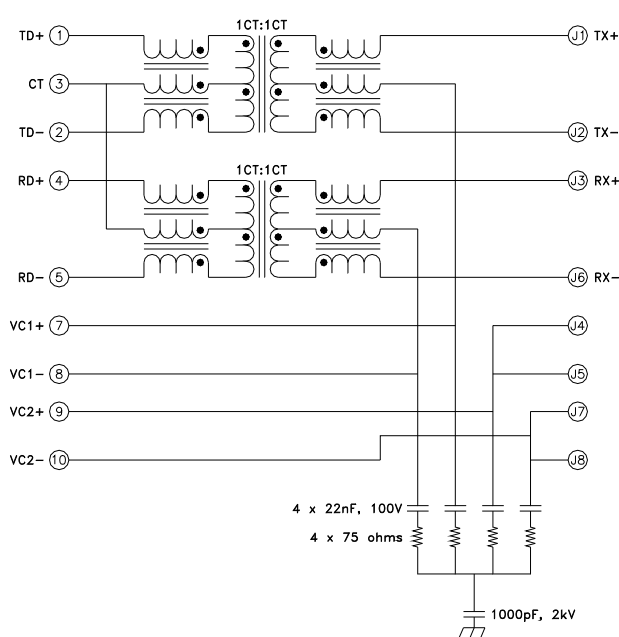
**Schematic 1**



**Schematic 2**



**Schematic 3**



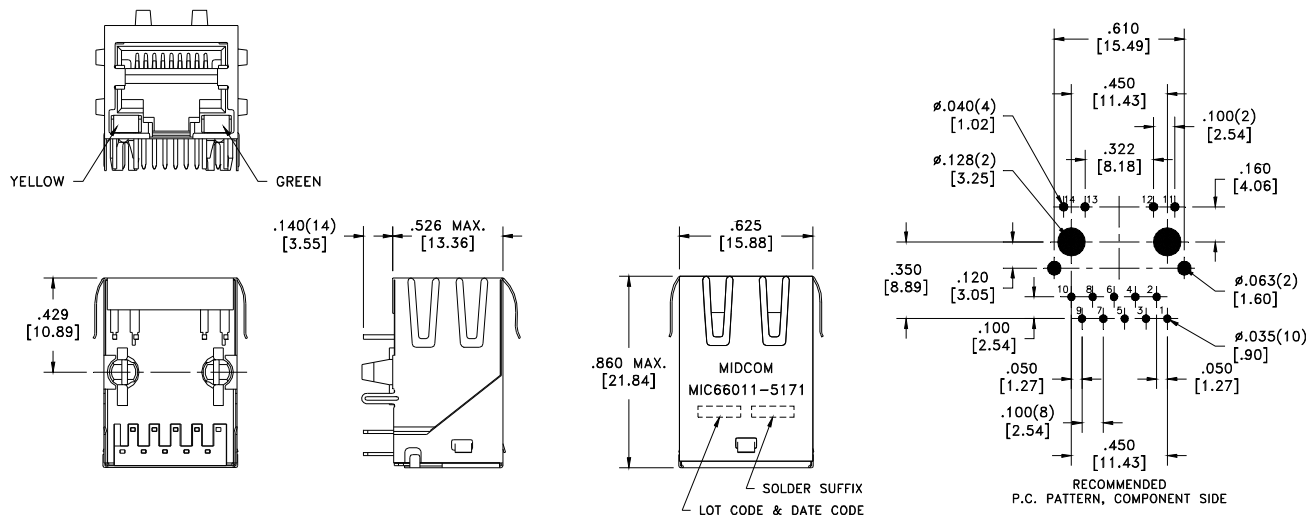
**Schematic 4**

**Integrated PoE  
10/100 Base-T RJ45**

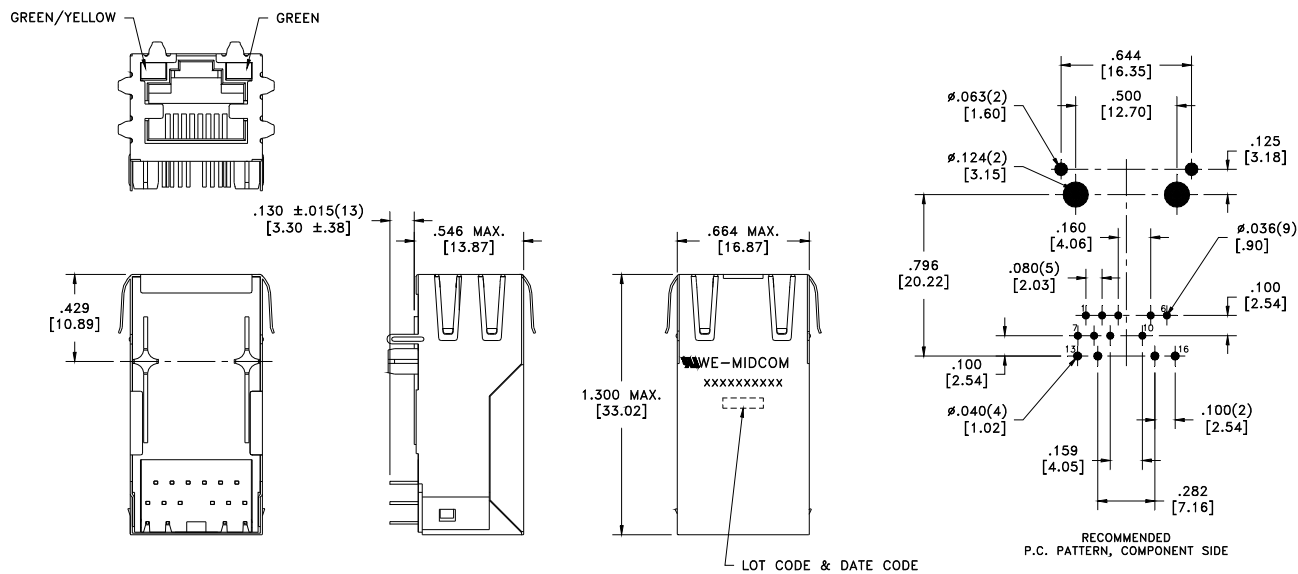


LANDatacom

**Mechanical 1**



**Mechanical 2**



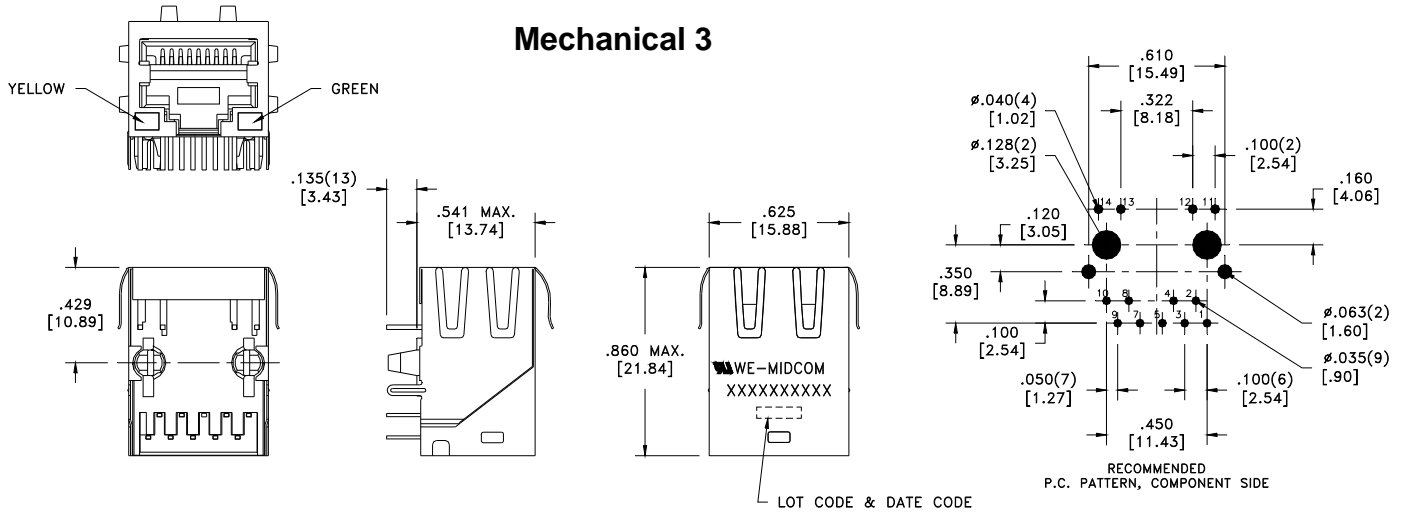


**Integrated PoE  
10/100 Base-T RJ45**

**Midcom**

LANDatacom

**Mechanical 3**



## X-ON Electronics

Largest Supplier of Electrical and Electronic Components

*Click to view similar products for [Modular Connectors / Ethernet Connectors](#) category:*

*Click to view products by [Würth](#) manufacturer:*

Other Similar products are found below :

[8949-H88/06BLKA/SN](#) [74441-0010/BKN](#) [MP1010RX-1000](#) [MP44RX-1000](#) [PHJ-4P4C-1-V-4](#) [PHP-6P6C-5](#) [GAX-3-66](#) [GAX-8-62](#) [GDCX-PA-66-50](#) [GDCX-PN-64](#) [GDCX-PN-66](#) [GDCX-PN-66-50](#) [GDLX-A-66](#) [GDLX-N-66](#) [GDLX-S-66](#) [GDLX-S-88K](#) [GDLX-SMT-S-88](#) [GDTX-S-88-50](#) [GDX-PA-1010](#) [GLX-N-1010M-BLK](#) [GLX-S-88M-BLK](#) [GMX-N-1010](#) [GMX-S-1010](#) [GMX-S-66](#) [GMX-SMT4-N-88](#) [GPX-2-64](#) [GSGX-N-2-88](#) [GSGX-N-4-88](#) [GSX-NS2-88-3.05](#) [GSX-NS2-88-3.05-50](#) [GSX-NS-88-3.05-50](#) [PT-108A-8C-UL](#) [PT-J951-8C](#) [PTS-J531-8CS-50UL](#) [1-1775629-2](#) [A-2014-0-4](#) [GWLX-S-88-GR](#) [GWLX-S9-88-YG](#) [DC-1021-8-WH-6](#) [1300530003](#) [1324640-4](#) [RJ11FTVC2G](#) [RJ11FTVC2N](#) [RJFTVX2SA1G](#) [132764-001](#) [1413235](#) [MP88X-1000](#) [MPS88RX-5000](#) [E5288-S000K3-L](#) [E5908-15A242-L](#)