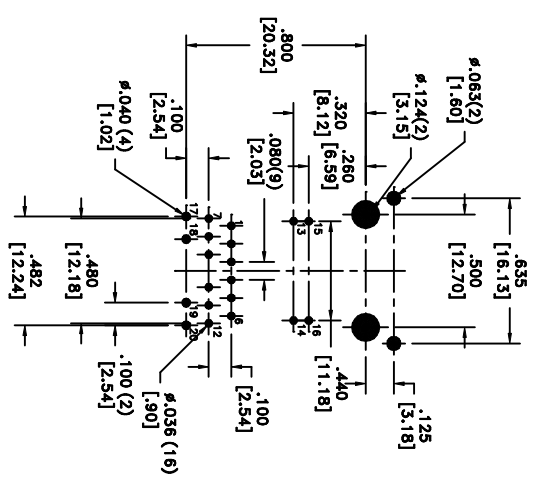
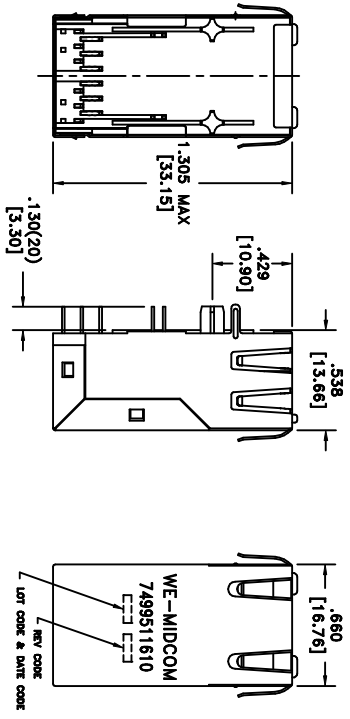
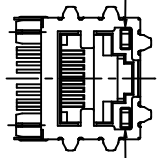


CUSTOMER TERMINAL	RoHS	LEAD(Pb)-FREE
Sn100x	Yes	Yes

GREEN/ORANGE  
YELLOW

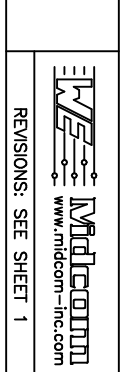


P.C. PATTERN, RECOMMENDED  
P.C. PATTERN, COMPONENT SIDE

REV.	DATE
00	4/08

Packaging Specifications  
 Tray  
 Unless otherwise specified:  
 Tolerances: Fractions: ±1/64  
 Angles: ±1°  
 Decimals: ±.010[.25]  
 This drawing is dual dimensioned. Dimensions in brackets are in millimeters.

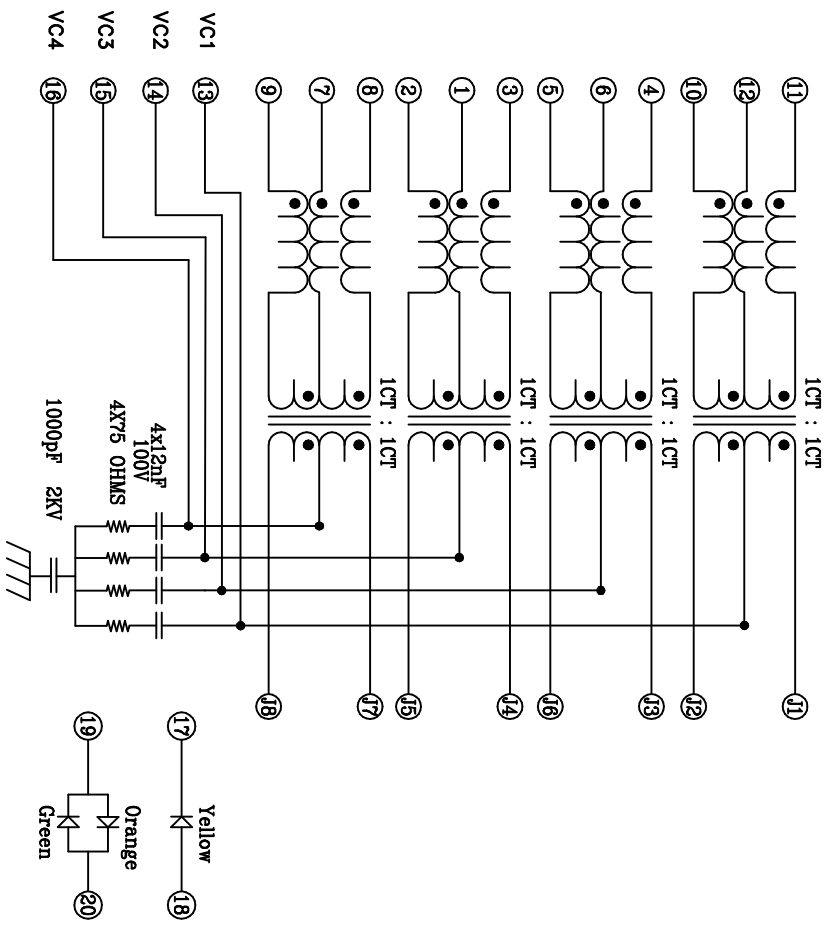
DRAWING TITLE  
**TRANSFORMER**  
 Gigabit&PoE+



DRAWING NO.  
**7499511610**  
 REVISIONS: SEE SHEET 1  
 SCALE ---  
 SHEET 2 OF 6

**ELECTRICAL SPECIFICATIONS @ 25°C unless otherwise noted**

- INDUCTANCE: 350nH min., 100kHz, 100mV, 18mADC, J1-J2; J3-J6, J4-J5; J7-J8 Ip.
- DIELECTRIC RATING: 1500Vrms or 2250VDC for 1 minute between Pri to Sec.
- TURNS RATIO/POLARITY: Per schematic.
- INSERTION LOSS: -1.0dB max., 1MHz - 100MHz.
- RETURN LOSS: -18dB min., 1M - 30MHz.  
 -16dB min., 30M - 45MHz.  
 -14dB min., 45M - 60MHz.  
 -12dB min., 60M - 80MHz.  
 -10dB min., 80M - 100MHz.
- CROSSTALK: -30dB typ., 1MHz - 100MHz.
- COMMON MODE REJECTION: -35dB min., 1MHz - 100MHz.
- OPERATING TEMPERATURE RANGE: 0°C to +70°C.
- Designed to handle 600mADC and meet 802.3at.



## X-ON Electronics

Largest Supplier of Electrical and Electronic Components

*Click to view similar products for [Modular Connectors](#) / [Ethernet Connectors](#) category:*

*Click to view products by [Wurth](#) manufacturer:*

Other Similar products are found below :

[8949-H88/06BLKA/SN](#) [74441-0010/BKN](#) [MP1010RX-1000](#) [MP44RX-1000](#) [PHJ-4P4C-1-V-4](#) [PHP-6P6C-5](#) [GAX-3-66](#) [GAX-8-62](#) [GDCX-PA-66-50](#) [GDCX-PN-64](#) [GDCX-PN-66](#) [GDCX-PN-66-50](#) [GDLX-A-66](#) [GDLX-N-66](#) [GDLX-S-66](#) [GDLX-S-88K](#) [GDTX-S-88-50](#) [GDX-PA-1010](#) [GLX-N-1010M-BLK](#) [GLX-S-88M-BLK](#) [GMX-N-1010](#) [GMX-S-1010](#) [GMX-S-66](#) [GMX-SMT4-N-88](#) [GPX-2-64](#) [GSGX-N-2-88](#) [GSGX-N-4-88](#) [GSX-NS2-88-3.05](#) [GSX-NS2-88-3.05-50](#) [GSX-NS-88-3.05-50](#) [PT-108A-8C-UL](#) [PT-J951-8C](#) [PTS-J531-8CS-50UL](#) [1-1775629-2](#) [A-2014-0-4](#) [GWLX-S-88-GR](#) [GWLX-S9-88-YG](#) [DC-1021-8-WH-6](#) [1300530003](#) [1324640-4](#) [RJ11FTVC2G](#) [RJ11FTVC2N](#) [RJFTVX2SA1G](#) [132764-001](#) [1413235](#) [MP88X-1000](#) [MPS88RX-5000](#) [E5288-S000K3-L](#) [E5908-15A242-L](#) [155302-001](#)