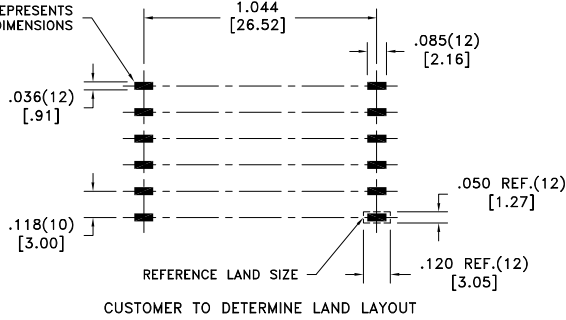
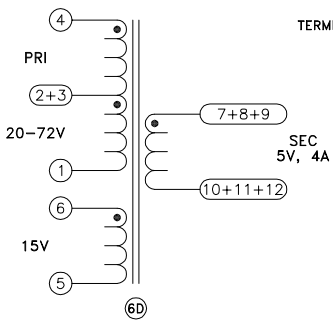
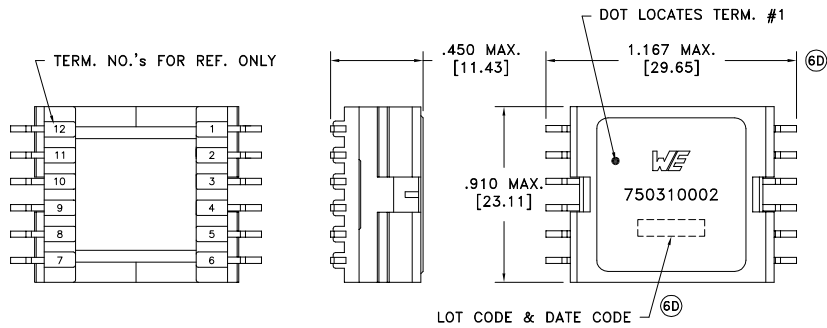


CUSTOMER TERMINAL	RoHS	LEAD(Pb)-FREE
Sn96%, Ag4%	Yes	Yes

more than you expect



Application of transformer allows for leadwires between terminals 2+3, 7+8+9, 10+11+12 to solder bridge.

ELECTRICAL SPECIFICATIONS @ 25°C unless otherwise noted:

PARAMETER	TEST CONDITIONS	VALUE
D.C. RESISTANCE	1-3 @20°C	0.027 ohms ±10%
D.C. RESISTANCE	2-4 @20°C	0.022 ohms ±10%
D.C. RESISTANCE	5-6 @20°C	0.105 ohms ±10%
D.C. RESISTANCE	7-10 tie(7+8+9, 10+11+12), @20°C	0.008 ohms max.
INDUCTANCE	1-4 tie(2+3), 100kHz, 100mVAC, Ls	28.0uH ±10%
LEAKAGE INDUCTANCE	1-4 tie(2+3, 5+6, 7+8+9+10+11+12) 100kHz, 100mVAC, Ls	800nH max.
DIELECTRIC	1-12 tie(2+3, 4+5, 7+8+9), 1875VAC, 1 second	1500VAC, 1 minute
DIELECTRIC	1-6 625VAC, 1 second	500VAC, 1 minute
TURNS RATIO	(3-1):(4-2)	1:1, ±1%
TURNS RATIO	(4-1):(6-5), tie(2+3)	1.272:1, ±1%
TURNS RATIO	(4-1):(7-10), tie(2+3)	3.5:1, ±2%
TURNS RATIO	(4-1):(8-11), tie(2+3)	3.5:1, ±2%
TURNS RATIO	(4-1):(9-12), tie(2+3)	3.5:1, ±2%

GENERAL SPECIFICATIONS:

OPERATING TEMPERATURE RANGE: -40°C to +125°C.

⑥D Wire insulation & RoHS status not affected by wire color.
Wire insulation color may vary depending on availability.

REV.	DATE	Packaging Specifications		Tolerances unless otherwise specified: Angles: ±1° Decimals: ±.005 [.13] Fractions: ±1/64 Footprint: ±.005 [.13]	DRAWING TITLE	PART NO.		
6D	6/16	Method: Tape & Reel			TRANSFORMER	750310002		
6C	12/07	PKG-0868			This drawing is dual dimensioned. Dimensions in brackets are in millimeters.	eiSos p/n: 750310002		
6B	6/07	www.we-online.com/midcom						
6A	4/07	SEE REVISION SHEET FOR REVISION LEVEL						

X-ON Electronics

Largest Supplier of Electrical and Electronic Components

Click to view similar products for [Power Transformers](#) category:

Click to view products by [Würth](#) manufacturer:

Other Similar products are found below :

[ET-030A](#) [F-102X](#) [F-120X](#) [F-14X-1](#) [F-181U](#) [F-18A](#) [F-199U](#) [F-19X](#) [F-202U](#) [F-204U](#) [F-206U](#) [F-227X](#) [F-238U](#) [F-239U-1](#) [F-23U](#) [F24-250-B](#)
[F-242U](#) [F-245U](#) [F-264U](#) [F-265U](#) [F-267U](#) [F-281U](#) [F-283U](#) [F-290X](#) [F-295Z](#) [F-296Z](#) [F-298Z](#) [F-3143P](#) [F-3298Z](#) [F-33U](#) [F-346X](#) [F-35U](#) [F-](#)
[364U](#) [F-392A](#) [F-395X](#) [F-397U](#) [F-412X](#) [F-47U](#) [F-55X-1](#) [F-60U](#) [F-68U](#) [F-71U](#) [F-72Z](#) [F-74U](#) [F-83A](#) [F-84AC](#) [F-85U](#) [F-86U](#) [F-9U](#) [PCT-02](#)