

| | | |
|-------------------|------|---------------|
| CUSTOMER TERMINAL | RoHS | LEAD(Pb)-FREE |
| Sn96%, Ag4% | Yes | Yes |

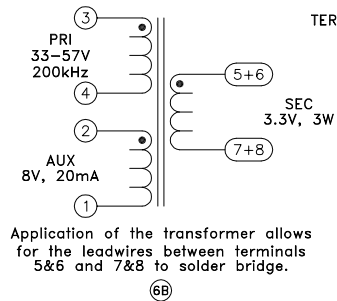
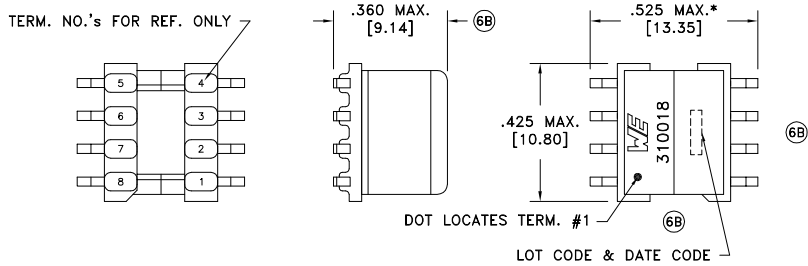
more than you expect



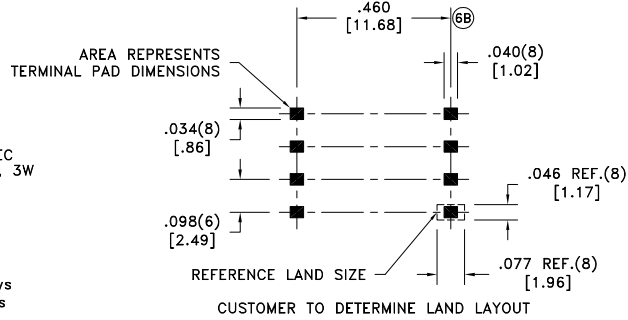
ELECTRICAL SPECIFICATIONS @ 25°C unless otherwise noted:

| PARAMETER | TEST CONDITIONS | VALUE |
|--------------------|--|-----------------|
| D.C. RESISTANCE | 1-2 @20°C | 0.215 ohms max. |
| D.C. RESISTANCE | 3-4 @20°C | 1.750 ohms max. |
| D.C. RESISTANCE | 5-7 @20°C, tie(5+6, 7+8) | 0.015 ohms max. |
| INDUCTANCE | 3-4 10kHz, 100mVAC, Ls | 500uH ±10% |
| LEAKAGE INDUCTANCE | 3-4 tie(1+2, 5+6+7+8), 100kHz, 100mVAC, Ls | 7.5uH max. |
| DIELECTRIC | 1-8 tie(2+3, 5+6), 1500VAC, 1 second | - |
| DIELECTRIC | 1-3 500VDC, 1 second | - |
| URNS RATIO | (3-4):(5-7), tie(5+6, 7+8) | 12.048:1, ±2% |
| URNS RATIO | (3-4):(2-1) | 4.807:1, ±2% |

* DIMENSION MAY BE EXCEEDED WITH SOLDER ONLY



Application of the transformer allows for the leadwires between terminals 5&6 and 7&8 to solder bridge.



6B Wire insulation & RoHS status not affected by wire color.
Wire insulation color may vary depending on availability.

| REV. | DATE | Packaging Specifications | CONVENTION PLACEMENT |
|------|------|---|----------------------|
| | | Method: Tape & Reel PKG-0523 www.we-online.com/midcom | |
| 6B | 2/15 | | |
| 6A | 5/07 | SEE REVISION SHEET FOR REVISION LEVEL | |

Tolerances unless otherwise specified:
Angles: ±1°
Fractions: ±1/64
Decimals: ±.005 [.13]
Footprint: ±.005 [.13]

This drawing is dual dimensioned. Dimensions in brackets are in millimeters.

DRAWING TITLE
TRANSFORMER

eiSos p/n: 750310018

PART NO.
750310018

SPECIFICATION SHEET 1 OF 1



X-ON Electronics

Largest Supplier of Electrical and Electronic Components

Click to view similar products for [Power Transformers](#) category:

Click to view products by [Würth](#) manufacturer:

Other Similar products are found below :

[ET-030A](#) [F-102X](#) [F-120X](#) [F-14X-1](#) [F-181U](#) [F-18A](#) [F-199U](#) [F-19X](#) [F-202U](#) [F-204U](#) [F-206U](#) [F-227X](#) [F-238U](#) [F-239U-1](#) [F-23U](#) [F24-250-B](#)
[F-242U](#) [F-245U](#) [F-264U](#) [F-265U](#) [F-267U](#) [F-281U](#) [F-283U](#) [F-290X](#) [F-295Z](#) [F-296Z](#) [F-298Z](#) [F-3143P](#) [F-3298Z](#) [F-33U](#) [F-346X](#) [F-35U](#) [F-](#)
[364U](#) [F-392A](#) [F-395X](#) [F-397U](#) [F-412X](#) [F-47U](#) [F-55X-1](#) [F-60U](#) [F-68U](#) [F-71U](#) [F-72Z](#) [F-74U](#) [F-83A](#) [F-84AC](#) [F-85U](#) [F-86U](#) [F-9U](#) [PCT-02](#)