

| | | |
|-------------------|------|---------------|
| CUSTOMER TERMINAL | RoHS | LEAD(Pb)-FREE |
| Sn96%, Ag4% | Yes | Yes |

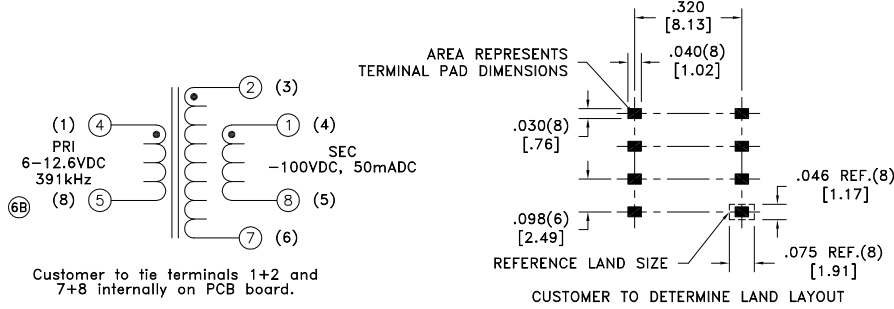
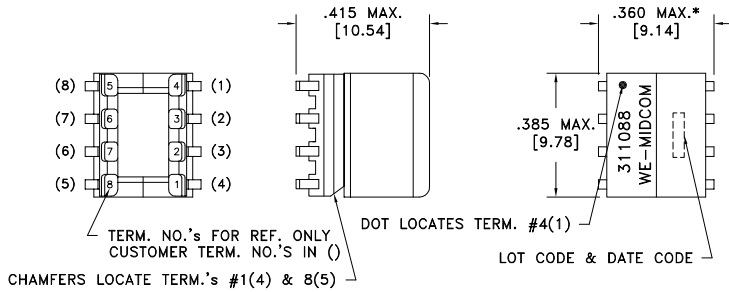
more than you expect



ELECTRICAL SPECIFICATIONS @ 25°C unless otherwise noted:

| PARAMETER | TEST CONDITIONS | VALUE |
|-----------------------|-------------------------------------|------------------|
| D.C. RESISTANCE | 4-5 @20°C | 0.009 ohms ±20% |
| D.C. RESISTANCE | 1-8 tie(1+2, 7+8), @20°C | 0.288 ohms ±20% |
| INDUCTANCE | 4-5 100kHz, 100mVAC, Ls | 2.7uH ±10% |
| ⑥C SATURATION CURRENT | 20% rolloff from initial | 8A |
| DIELECTRIC | 4-1 tie(1+2, 7+8), 625VAC, 1 second | 500VAC, 1 minute |
| URNS RATIO | (1-8):(4-5), tie(1+2, 7+8) | 4:1, ±1% |
| URNS RATIO | (1-8):(2-7) | 1:1, ±1% |

* DIMENSION MAY BE EXCEEDED WITH SOLDER ONLY



GENERAL SPECIFICATIONS:

OPERATING TEMPERATURE RANGE: -40°C to +125°C including temp rise.

⑥C Wire insulation & RoHS status not affected by wire color.
Wire insulation color may vary depending on availability.

DETAILS SUBJECT TO CHANGE

| | | | | | | |
|------|-------|---|--|--|-------------------------------------|------------------------------|
| REV. | DATE | Packaging Specifications Method: Tape & Reel PKG-0410 www.we-online.com/midcom | | Tolerances unless otherwise specified: Angles: ±1° Fractions: ±1/64 Decimals: ±.005 [.13] Footprint: ±.005 [.13] | DRAWING TITLE TRANSFORMER | PART NO. 750311088 |
| 6C | 10/13 | | | This drawing is dual dimensioned. Dimensions in brackets are in millimeters. | eiSos p/n: 750311088 | SPECIFICATION SHEET 1 OF 1 |
| 6B | 5/11 | | | | | |
| 6A | 7/09 | SEE REVISION SHEET FOR REVISION LEVEL | | | | |



X-ON Electronics

Largest Supplier of Electrical and Electronic Components

Click to view similar products for [Power Transformers](#) category:

Click to view products by [Würth](#) manufacturer:

Other Similar products are found below :

[ET-030A](#) [F-102X](#) [F-120X](#) [F-14X-1](#) [F-181U](#) [F-18A](#) [F-199U](#) [F-19X](#) [F-202U](#) [F-204U](#) [F-206U](#) [F-227X](#) [F-238U](#) [F-239U-1](#) [F-23U](#) [F24-250-B](#)
[F-242U](#) [F-245U](#) [F-264U](#) [F-265U](#) [F-267U](#) [F-281U](#) [F-283U](#) [F-290X](#) [F-295Z](#) [F-296Z](#) [F-298Z](#) [F-3143P](#) [F-3298Z](#) [F-33U](#) [F-346X](#) [F-35U](#) [F-](#)
[364U](#) [F-392A](#) [F-395X](#) [F-397U](#) [F-412X](#) [F-47U](#) [F-55X-1](#) [F-60U](#) [F-68U](#) [F-71U](#) [F-72Z](#) [F-74U](#) [F-83A](#) [F-84AC](#) [F-85U](#) [F-86U](#) [F-9U](#) [PCT-02](#)