

CUSTOMER TERMINAL	RoHS	LEAD(Pb)-FREE
Sn96%, Ag4%	Yes	Yes

more than you expect

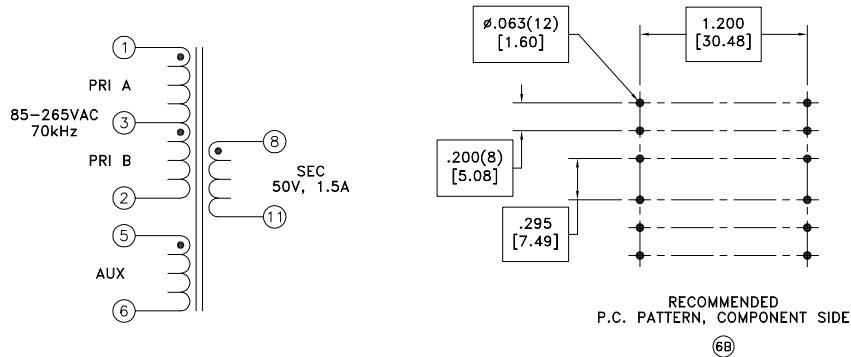
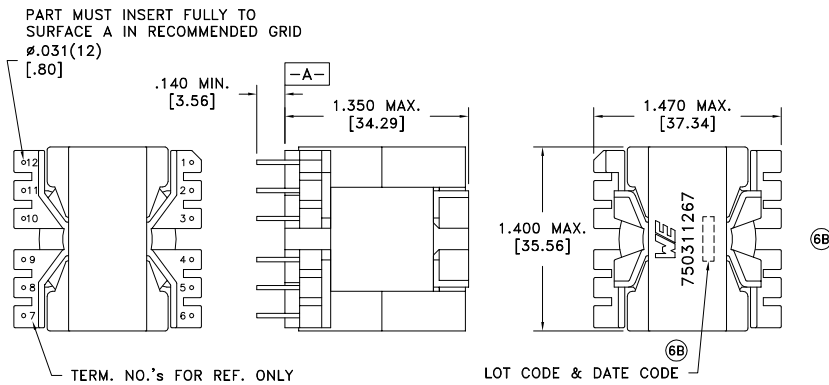


**ELECTRICAL SPECIFICATIONS @ 25°C unless otherwise noted:**

PARAMETER	TEST CONDITIONS	VALUE
D.C. RESISTANCE	1-2 @20°C	0.28 ohms ±10%
D.C. RESISTANCE	5-6 @20°C	0.095 ohms max.
D.C. RESISTANCE	8-11 @20°C	0.140 ohms max.
INDUCTANCE	1-2 10kHz, 100mVAC, Ls	625uH ±4%
LEAKAGE INDUCTANCE	1-2 tie(5+6, 8+11), 100kHz, 100mVAC, Ls	20.0uH max.
DIELECTRIC	1-8 tie(2+5), 3750VAC, 1 second	3000VAC, 1 minute
TURNS RATIO	(1-2):(8-11)	2.24:1, ±1%
TURNS RATIO	(1-2):(5-6)	4.307:1, ±1%
TURNS RATIO	(1-3):(3-2)	1:1, ±1%

**GENERAL SPECIFICATIONS:**

OPERATING TEMPERATURE RANGE: -40°C to +125°C.



6B Wire insulation & RoHS status not affected by wire color.  
Wire insulation color may vary depending on availability.

REV.	DATE	Packaging Specifications Method: Tray PKG-0825 www.we-online.com/midcom		Tolerances unless otherwise specified: Angles: $\pm 1^\circ$ Fractions: $\pm 1/64$	Decimals: $\pm .005$ [.13] Footprint: $\pm .001$ [.03]	DRAWING TITLE <b>TRANSFORMER</b>	PART NO. <b>750311267</b>
6B	4/15			This drawing is dual dimensioned. Dimensions in brackets are in millimeters.		eiSos p/n: 750311267	
6A	2/10	SEE REVISION SHEET FOR REVISION LEVEL					SPECIFICATION SHEET 1 OF 1



## **X-ON Electronics**

Largest Supplier of Electrical and Electronic Components

*Click to view similar products for [Power Transformers](#) category:*

*Click to view products by [Wurth](#) manufacturer:*

Other Similar products are found below :

[ET-030A](#) [F-102X](#) [F-120X](#) [F-14X-1](#) [F-181U](#) [F-18A](#) [F-199U](#) [F-19X](#) [F-202U](#) [F-204U](#) [F-206U](#) [F-227X](#) [F-238U](#) [F-239U-1](#) [F-23U](#) [F24-250-B](#)  
[F-242U](#) [F-245U](#) [F-264U](#) [F-265U](#) [F-267U](#) [F-281U](#) [F-283U](#) [F-290X](#) [F-295Z](#) [F-296Z](#) [F-298Z](#) [F-3143P](#) [F-3298Z](#) [F-33U](#) [F-346X](#) [F-35U](#) [F-](#)  
[364U](#) [F-392A](#) [F-395X](#) [F-397U](#) [F-412X](#) [F-47U](#) [F-55X-1](#) [F-60U](#) [F-68U](#) [F-71U](#) [F-72Z](#) [F-74U](#) [F-83A](#) [F-84AC](#) [F-85U](#) [F-86U](#) [F-9U](#) [PCT-02](#)