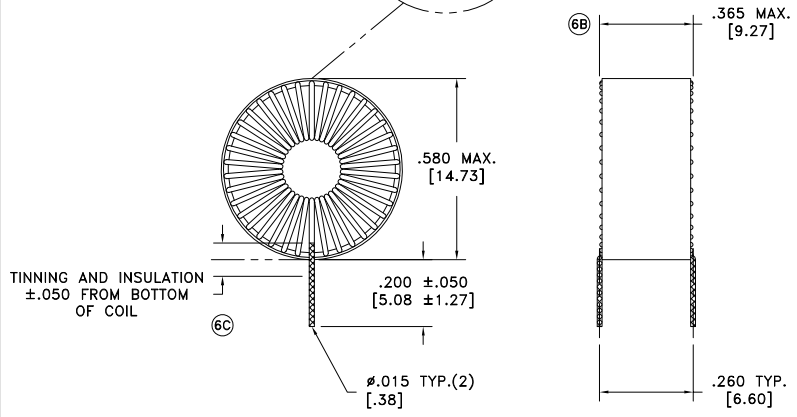


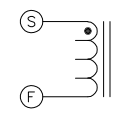
CUSTOMER TERMINAL	RoHS	LEAD(Pb)-FREE
Sn96%, Ag4%	Yes	Yes



WE-MIDCOM  
750311431  
LOT CODE & DATE CODE



TINNING AND INSULATION  
±.050 FROM BOTTOM  
OF COIL



ELECTRICAL SPECIFICATIONS @ 25°C unless otherwise noted:

PARAMETER	TEST CONDITIONS	VALUE
⑥B D.C. RESISTANCE	S-F @20°C	0.57 ohms max.
INDUCTANCE	S-F 100kHz, 100mVAC, Ls	750uH ±20%

GENERAL SPECIFICATIONS:  
CURRENT RATING: 250mADC.

⑥D It is recommended that the 750311431 Inductor be secured to the PCB with epoxy.

DETAILS SUBJECT TO CHANGE

REV.	DATE	Packaging Specifications		Tolerances unless otherwise specified: Angles: ±1° Decimals: ±.005 [.13] Fractions: ±1/64 Footprint: ⑥C	DRAWING TITLE	PART NO.
6E	6/20	Method: Tray		<b>INDUCTOR</b>		<b>750311431</b> SPECIFICATION SHEET 1 OF 1
6D	4/11	PKG-0788		This drawing is dual dimensioned. Dimensions in brackets are in millimeters.		
6C	12/10	www.we-online.com/midcom				
6B	6/10	SEE REVISION SHEET FOR REVISION LEVEL		eiSos p/n: 750311431		

## X-ON Electronics

Largest Supplier of Electrical and Electronic Components

*Click to view similar products for [Common Mode Chokes / Filters](#) category:*

*Click to view products by [Würth](#) manufacturer:*

Other Similar products are found below :

[74279408](#) [PE-62911NL](#) [PE-64683](#) [ST6118T-R](#) [T8114NLT](#) [RD5122-10-6M0](#) [TCM0806G-350-2P-T](#) [TCM0806G-650-2P-T](#) [IND-0110](#)  
[UAL21V07012500](#) [UAL24VR06500CH](#) [UALSC023000000](#) [UALSC1020JH000](#) [UALSC1520JH000](#) [UALSU16VD30030](#)  
[UALSU16VD40010](#) [UALSU9H0305000](#) [UALSU9HF060300](#) [UALSU9VD070100](#) [36-00037](#) [5701610000](#) [UALW21HS072450](#)  
[UALSU9VD070400](#) [UALSU9HF050500](#) [UALSU9H0208000](#) [UALSCF25081300](#) [UAL24VK06450CH](#) [PLT10HH501100PNB](#)  
[PLT10HH401100PNB](#) [PLT10HH1026R0PNB](#) [PE-67531](#) [EXC-X4CH120X](#) [TLH10UB 113 0R5](#) [2752041447](#) [2752045447](#) [CMS3-11-R](#)  
[7351V](#) [CMF16-153131](#) [744252510](#) [T8116NLT](#) [FE2X10-4-2NL](#) [744253200](#) [744253101](#) [744252220](#) [TX8111NLT](#) [UAL30VR3500470](#)  
[CTX01-19077-R](#) [T8003NLT](#) [CTX01-13663](#) [CTX66-19521-R](#)