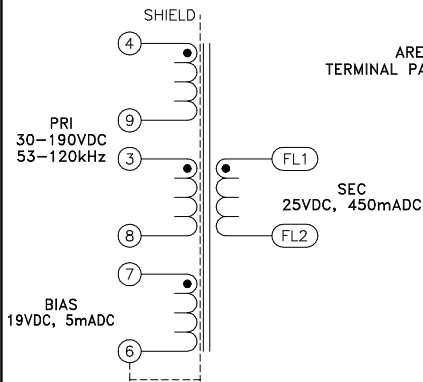
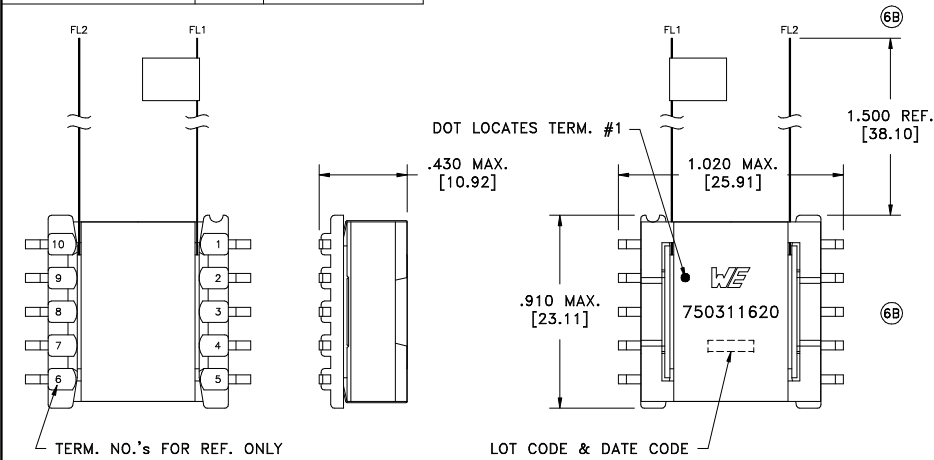
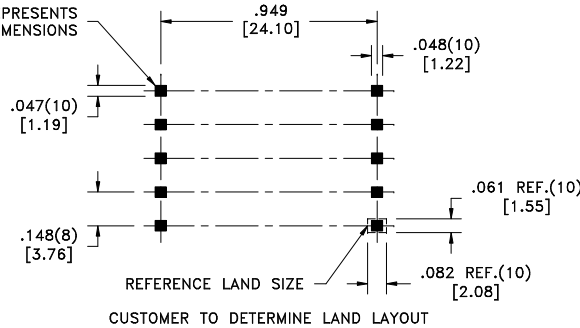


CUSTOMER TERMINAL	RoHS	LEAD(Pb)-FREE
Sn96%, Ag4%	Yes	Yes

more than you expect



Customer to tie terminals 3+9 internally on PC board.



ELECTRICAL SPECIFICATIONS @ 25°C unless otherwise noted:

PARAMETER	TEST CONDITIONS	VALUE	
D.C. RESISTANCE	4-8	tie(3+9), @20°C	1.96 ohms ±20%
D.C. RESISTANCE	7-6	@20°C	0.335 ohms ±20%
D.C. RESISTANCE	FL1-FL2	@20°C	0.110 ohms ±20%
INDUCTANCE	4-8	tie(3+9), 10kHz, 100mVAC, Ls	1.90mH ±10%
SATURATION CURRENT		20% rolloff from initial	620mA
LEAKAGE INDUCTANCE	4-8	tie(3+9, FL1+FL2), 100kHz, 100mVAC, Ls	14uH typ., 20uH max.
DIELECTRIC	4-FL1	tie(3+9, 4+7), 4500VAC, 1 second	4500VAC, 1 minute
URNS RATIO		(4-8):(7-6), tie(3+9)	7:1, ±2%
URNS RATIO		(4-8):(FL1-FL2), tie(3+9)	5.33:1, ±2%
URNS RATIO		(4-9):(3-8)	1:1, ±2%

GENERAL SPECIFICATIONS:

OPERATING TEMPERATURE RANGE: -40°C to +125°C including temp rise.

Designed to comply with the following requirements as defined by IEC61558-2-17:
- Reinforced insulation for a primary circuit at a working voltage of 400VDC.

Wire insulation & RoHS status not affected by wire color.
Wire insulation color may vary depending on availability.

REV.	DATE	Packaging Specifications Method: Tray PKG-0058 www.we-online.com/midcom		Tolerances unless otherwise specified: Angles: ±1° Decimals: ±.005 [.13] Fractions: ±1/64 Footprint: ±.005 [.13]	DRAWING TITLE TRANSFORMER	PART NO. 750311620
6B	4/11		CONVENTION PLACEMENT	This drawing is dual dimensioned. Dimensions in brackets are in millimeters.	eiSos p/n: 750311620	
6A	11/10	SEE REVISION SHEET FOR REVISION LEVEL	REVISION LEVEL			SPECIFICATION SHEET 1 OF 1

X-ON Electronics

Largest Supplier of Electrical and Electronic Components

Click to view similar products for [Power Transformers](#) category:

Click to view products by [Würth](#) manufacturer:

Other Similar products are found below :

[ET-030A](#) [F-102X](#) [F-120X](#) [F-14X-1](#) [F-181U](#) [F-18A](#) [F-199U](#) [F-19X](#) [F-202U](#) [F-204U](#) [F-206U](#) [F-227X](#) [F-238U](#) [F-239U-1](#) [F-23U](#) [F24-250-B](#)
[F-242U](#) [F-245U](#) [F-264U](#) [F-265U](#) [F-267U](#) [F-281U](#) [F-283U](#) [F-290X](#) [F-295Z](#) [F-296Z](#) [F-298Z](#) [F-3143P](#) [F-3298Z](#) [F-33U](#) [F-346X](#) [F-35U](#) [F-](#)
[364U](#) [F-392A](#) [F-395X](#) [F-397U](#) [F-412X](#) [F-47U](#) [F-55X-1](#) [F-60U](#) [F-68U](#) [F-71U](#) [F-72Z](#) [F-74U](#) [F-83A](#) [F-84AC](#) [F-85U](#) [F-86U](#) [F-9U](#) [PCT-02](#)