

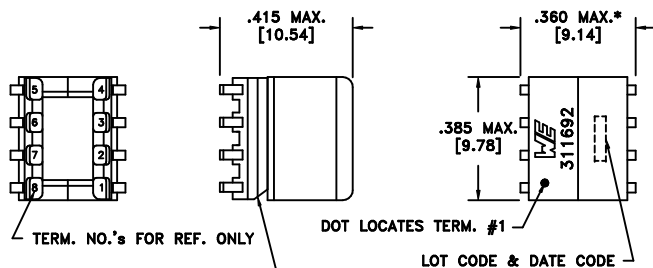
CUSTOMER TERMINAL	RoHS	LEAD(Pb)-FREE
Sn96%, Ag4%	Yes	Yes

more than you expect

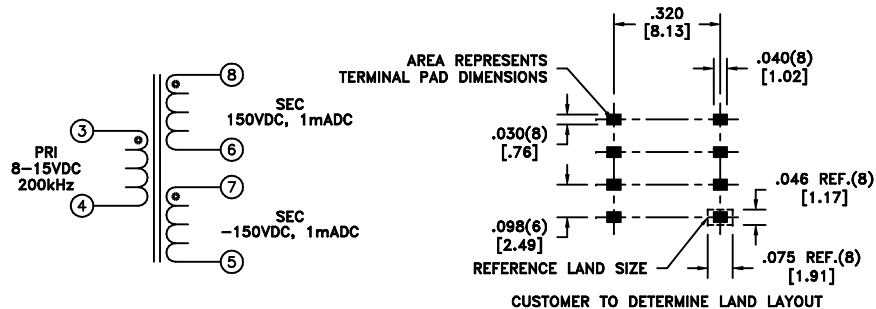


Midcom

\* DIMENSION MAY BE EXCEEDED WITH SOLDER ONLY



CHAMFERS LOCATE TERM.'s #1 & 8



CUSTOMER TO DETERMINE LAND LAYOUT

**ELECTRICAL SPECIFICATIONS @ 25°C unless otherwise noted:**

PARAMETER	TEST CONDITIONS	VALUE
D.C. RESISTANCE	3-4 @20°C	0.325 ohms ±10%
D.C. RESISTANCE	8-6 @20°C	8.70 ohms ±10%
D.C. RESISTANCE	7-5 @20°C	8.70 ohms ±10%
INDUCTANCE	3-4 100kHz, 100mVAC, Ls	80uH ±10%
SATURATION CURRENT	20% rolloff from initial	1.0A
LEAKAGE INDUCTANCE	3-4 tie(5+6+7+8), 100kHz, 100mVAC, Ls	2.0uH max.
DIELECTRIC	3-8 tie(6+7), 150VAC, 1 second	-
DIELECTRIC	8-7 600VDC, 1 second	-
URNS RATIO	(8-6):(3-4)	5:1, ±1%
URNS RATIO	(7-5):(3-4)	5:1, ±1%

**GENERAL SPECIFICATIONS:**

OPERATING TEMPERATURE RANGE: -40°C to +125°C including temp rise.

Wire insulation & RoHS status not affected by wire color.  
Wire insulation color may vary depending on availability.

DETAILS SUBJECT TO CHANGE

REV.	DATE	Packaging Specifications Method: Tape & Reel PKG-0410 www.we-online.com/midcom		Tolerances unless otherwise specified: Angles: ±1° Fractions: ±1/64 Decimals: ±.005 [.13] Footprint: ±.005 [.13]	DRAWING TITLE TRANSFORMER	PART NO. 750311692
6A	11/10	SEE REVISION SHEET FOR	CONVENTION PLACEMENT REVISION LEVEL	This drawing is dual dimensioned. Dimensions in brackets are in millimeters.	eiSos p/n: 750311692	compliant RoHS SPECIFICATION SHEET 1 OF 1

## **X-ON Electronics**

Largest Supplier of Electrical and Electronic Components

*Click to view similar products for [Power Transformers](#) category:*

*Click to view products by [Würth](#) manufacturer:*

Other Similar products are found below :

[ET-030A](#) [F-102X](#) [F-120X](#) [F-14X-1](#) [F-181U](#) [F-18A](#) [F-199U](#) [F-19X](#) [F-202U](#) [F-204U](#) [F-206U](#) [F-227X](#) [F-238U](#) [F-239U-1](#) [F-23U](#) [F24-250-B](#)  
[F-242U](#) [F-245U](#) [F-264U](#) [F-265U](#) [F-267U](#) [F-281U](#) [F-283U](#) [F-290X](#) [F-295Z](#) [F-296Z](#) [F-298Z](#) [F-3143P](#) [F-3298Z](#) [F-33U](#) [F-346X](#) [F-35U](#) [F-](#)  
[364U](#) [F-392A](#) [F-395X](#) [F-397U](#) [F-412X](#) [F-47U](#) [F-55X-1](#) [F-60U](#) [F-68U](#) [F-71U](#) [F-72Z](#) [F-74U](#) [F-83A](#) [F-84AC](#) [F-85U](#) [F-86U](#) [F-9U](#) [PCT-02](#)