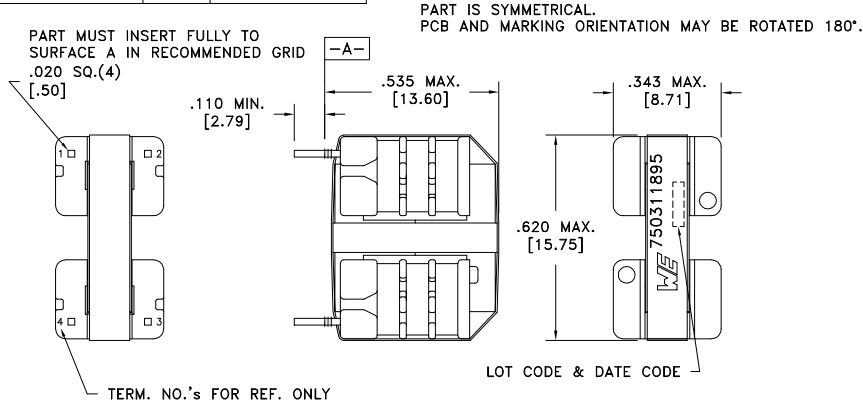
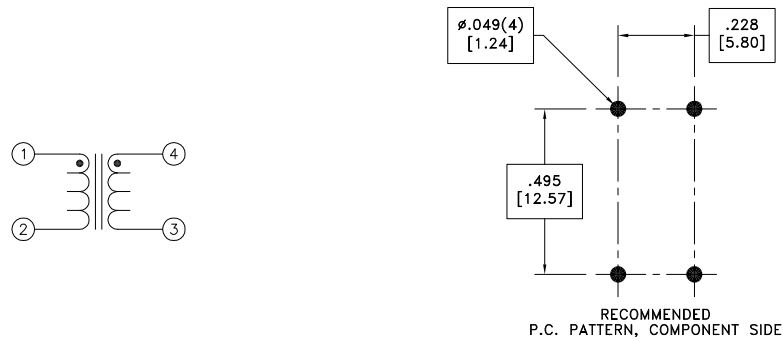


CUSTOMER TERMINAL	RoHS	LEAD(Pb)-FREE
Sn96%, Ag4%	Yes	Yes



**ELECTRICAL SPECIFICATIONS @ 25°C unless otherwise noted:**

PARAMETER	TEST CONDITIONS	VALUE
D.C. RESISTANCE	1-2 @20°C	1.6 ohms ±10%
D.C. RESISTANCE	3-4 @20°C	1.6 ohms ±10%
INDUCTANCE	1-2 10kHz, 100mVAC, Ls	6mH typ., 3.9mH min.
INDUCTANCE	3-4 10kHz, 100mVAC, Ls	6mH typ., 3.9mH min.
SATURATION CURRENT	20% rolloff from initial	500mA
LEAKAGE INDUCTANCE	tie(2+3), 100kHz, 100mVAC, Ls	700uH min.
SELF RESONANT FREQUENCY		850kHz typ.
DIELECTRIC	1-4 1875VAC, 1 second	1500VAC, 1 minute



**GENERAL SPECIFICATIONS:**

OPERATING TEMPERATURE RANGE: -40°C to +125°C including temp rise.

RATED CURRENT: 450mA causes 40°C temp rise from ambient.

Wire insulation & RoHS status not affected by wire color.  
Wire insulation color may vary depending on availability.

REV.	DATE	Packaging Specifications	<p>CONVENTION PLACEMENT</p>	<p>Tolerances unless otherwise specified: Angles: ±1°      Decimals: ±.005 [.13] Fractions: ±1/64      Footprint: ±.001 [.03]</p>	DRAWING TITLE	PART NO.	
6D	11/17	Method: Tray					
6C	7/16	PKG-0888					
6B	8/12	www.we-online.com/midcom					
6A	12/10	SEE REVISION SHEET FOR					
REVISION LEVEL				<p>This drawing is dual dimensioned. Dimensions in brackets are in millimeters.</p>		<p><b>INDUCTOR</b> <b>COMMON MODE CHOKE</b></p>	
						<p>eiSos p/n: 750311895</p>	
						<p>compliant <b>RoHS</b></p>	
						<p>750311895</p>	
						<p>SPECIFICATION SHEET 1 OF 1</p>	

## X-ON Electronics

Largest Supplier of Electrical and Electronic Components

*Click to view similar products for [Common Mode Chokes / Filters](#) category:*

*Click to view products by [Würth](#) manufacturer:*

Other Similar products are found below :

[74279408](#) [PE-62911NL](#) [PE-64683](#) [ST6118T-R](#) [T8114NLT](#) [RD5122-10-6M0](#) [TCM0806G-350-2P-T](#) [TCM0806G-650-2P-T](#) [IND-0110](#)  
[UAL21V07012500](#) [UALSC023000000](#) [UALSC1520JH000](#) [UALSU16VD40010](#) [UALSU9H0305000](#) [UALSU9HF060300](#)  
[UALSU9VD070100](#) [36-00037](#) [5701610000](#) [UALW21HS072450](#) [UALSU9VD070400](#) [UALSU9HF050500](#) [UALSU9H0208000](#)  
[UALSCF25081300](#) [UAL24VK06450CH](#) [PLT10HH501100PNB](#) [PLT10HH401100PNB](#) [PLT10HH1026R0PNB](#) [PE-67531](#) [EXC-X4CH120X](#)  
[TLH10UB](#) [113 0R5](#) [2752041447](#) [2752045447](#) [CMS3-11-R](#) [7351V](#) [CMF16-153131](#) [744252510](#) [T8116NLT](#) [FE2X10-4-2NL](#) [744253200](#)  
[744253101](#) [744252220](#) [TX8111NLT](#) [UAL30VR3500470](#) [CTX01-19077-R](#) [T8003NLT](#) [CTX01-13663](#) [CTX66-19521-R](#) [7446630047](#)  
[RC212-0.25-47M](#) [RC112-0.4-15M](#)