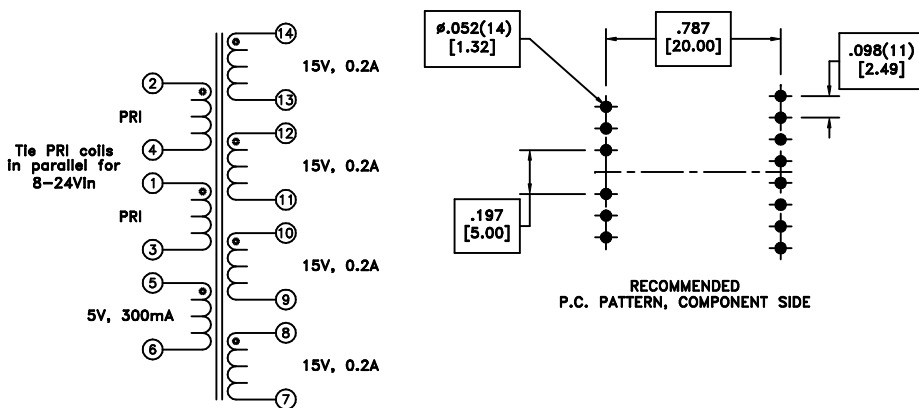
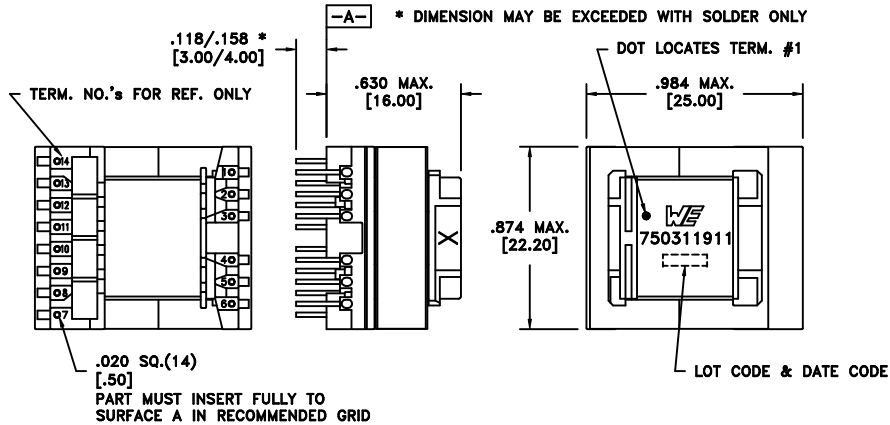


CUSTOMER TERMINAL	RoHS	LEAD(Pb)-FREE
Sn96%, Ag4%	Yes	Yes

more than you expect



ELECTRICAL SPECIFICATIONS @ 25°C unless otherwise noted:

PARAMETER	TEST CONDITIONS	VALUE
D.C. RESISTANCE	1-3 tie(1+2, 3+4), @20°C	0.020 ohms max.
D.C. RESISTANCE	12-11 @20°C	0.450 ohms max.
D.C. RESISTANCE	10-9 @20°C	0.450 ohms max.
D.C. RESISTANCE	14-13 @20°C	0.470 ohms max.
D.C. RESISTANCE	8-7 @20°C	0.470 ohms max.
D.C. RESISTANCE	5-6 @20°C	0.200 ohms max.
INDUCTANCE	1-3 tie(1+2, 3+4), 100kHz, 100mVAC, Ls	6.78uH ±10%
SATURATION CURRENT	20% rolloff from initial	13.0A
LEAKAGE INDUCTANCE	1-3 tie(1+2, 3+4, 5+6, 7 thru 14), 100kHz, 10mVAC, Ls	100nH typ., 200nH max.
DIELECTRIC	1-14 tie(1+2+5, 14+12+10+8), 1875VAC, 1 second	1500VAC, 1 minute
DIELECTRIC	1-5 tie(1+2), 1250VAC, 1 second	1000VAC, 1 minute
DIELECTRIC	1-2 1250VAC, 1 second	1000VAC, 1 minute
DIELECTRIC	14-12 tie(12+10+8), 1250VAC, 1 second	1000VAC, 1 minute
DIELECTRIC	12-10 tie(10+8), 1250VAC, 1 second	1000VAC, 1 minute
DIELECTRIC	10-8 1250VAC, 1 second	1000VAC, 1 minute
TURNS RATIO	(2-4):(1-3)	1:1, ±1%
TURNS RATIO	(5-6):(1-3)	1:1, ±1%
TURNS RATIO	(14-13):(1-3)	3:1, ±1%
TURNS RATIO	(12-11):(1-3)	3:1, ±1%
TURNS RATIO	(10-9):(1-3)	3:1, ±1%
TURNS RATIO	(8-7):(1-3)	3:1, ±1%

GENERAL SPECIFICATIONS:

OPERATING TEMPERATURE RANGE: -40°C to +125°C including temp rise.

No safety standard defined; Designed for functional insulation only.

Wire insulation & RoHS status not affected by wire color.
Wire insulation color may vary depending on availability.

REV.	DATE	Packaging Specifications Method: Tray PKG-0736 www.we-online.com/midcom		Tolerances unless otherwise specified: Angles: ±1° Decimals: ±.005 [.13] Fractions: ±1/64 Footprint: ±.001 [.03]	DRAWING TITLE TRANSFORMER	PART NO. 750311911
6B	11/11		CONVENTION PLACEMENT	This drawing is dual dimensioned. Dimensions in brackets are in millimeters.	eiSos p/n: 750311911	SPECIFICATION SHEET 1 OF 1
6A	11/10	SEE REVISION SHEET FOR REVISION LEVEL	REVISION LEVEL			



X-ON Electronics

Largest Supplier of Electrical and Electronic Components

Click to view similar products for [Power Transformers](#) category:

Click to view products by [Würth](#) manufacturer:

Other Similar products are found below :

[ET-030A](#) [F-102X](#) [F-120X](#) [F-14X-1](#) [F-181U](#) [F-18A](#) [F-199U](#) [F-19X](#) [F-202U](#) [F-204U](#) [F-206U](#) [F-227X](#) [F-238U](#) [F-239U-1](#) [F-23U](#) [F24-250-B](#)
[F-242U](#) [F-245U](#) [F-264U](#) [F-265U](#) [F-267U](#) [F-281U](#) [F-283U](#) [F-290X](#) [F-295Z](#) [F-296Z](#) [F-298Z](#) [F-3143P](#) [F-3298Z](#) [F-33U](#) [F-346X](#) [F-35U](#) [F-](#)
[364U](#) [F-392A](#) [F-395X](#) [F-397U](#) [F-412X](#) [F-47U](#) [F-55X-1](#) [F-60U](#) [F-68U](#) [F-71U](#) [F-72Z](#) [F-74U](#) [F-83A](#) [F-84AC](#) [F-85U](#) [F-86U](#) [F-9U](#) [PCT-02](#)