

CUSTOMER TERMINAL	RoHS	LEAD(Pb)-FREE
Sn96%, Ag4%	Yes	Yes

more than you expect



ELECTRICAL SPECIFICATIONS @ 25°C unless otherwise noted:

PARAMETER	TEST CONDITIONS	VALUE
D.C. RESISTANCE	1-9 tie(2+10), @20°C	0.510 ohms ±10%
D.C. RESISTANCE	3-8 @20°C	0.056 ohms ±20%
D.C. RESISTANCE	5-6 @20°C	0.011 ohms ±20%
INDUCTANCE	1-9 tie(2+10), 10kHz, 100mVAC, Ls	750uH ±5%
SATURATION CURRENT	20% rolloff from initial	800mA
LEAKAGE INDUCTANCE	1-9 tie(2+10, 3+8, 5+6), 100kHz, 100mVAC, Ls	12uH typ., 25uH max.
DIELECTRIC	1-5 tie(2+3+10), 3750VAC, 1 second	3000VAC, 1 minute
DIELECTRIC	1-8 tie(2+10), 625VAC, 1 second	500VAC, 1 minute
TURNS RATIO	(1-10):(2-9)	1:1, ±1%
TURNS RATIO	(1-9):(3-8)	8.57:1, ±1%
TURNS RATIO	(1-9):(5-6)	10:1, ±1%

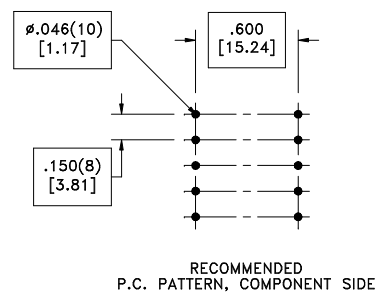
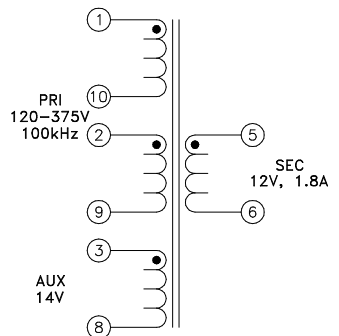
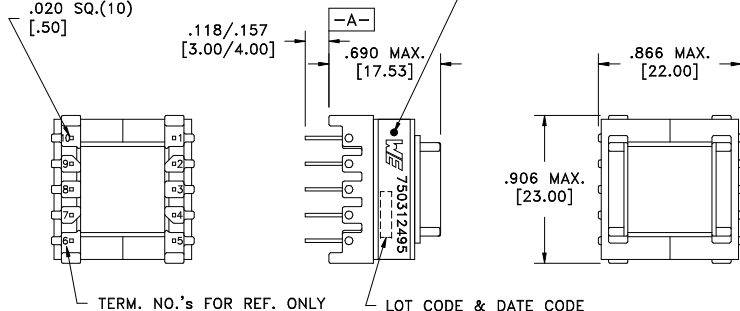
GENERAL SPECIFICATIONS:

OPERATING TEMPERATURE RANGE: -40°C to +125°C including temp rise.

Safety Standard Undefined.

PART MUST INSERT FULLY TO SURFACE A IN RECOMMENDED GRID .020 SQ.(10) [.50]

DOT LOCATES TERM. #1



RECOMMENDED P.C. PATTERN, COMPONENT SIDE

Customer to tie terminals 2 & 10 internally on PC board.

Wire insulation & RoHS status not affected by wire color.
Wire insulation color may vary depending on availability.

REV.	DATE	Packaging Specifications Method: Tray PKG-0736 www.we-online.com/midcom		Tolerances unless otherwise specified: Angles: ±1° Decimals: ±.005 [.13] Fractions: ±1/64 Footprint: ±.001 [.03]	DRAWING TITLE TRANSFORMER	PART NO. 750312495
6A	10/11	SEE REVISION SHEET FOR REVISION LEVEL	CONVENTION PLACEMENT	This drawing is dual dimensioned. Dimensions in brackets are in millimeters.	eiSos p/n: 750312495	SPECIFICATION SHEET 1 OF 1

X-ON Electronics

Largest Supplier of Electrical and Electronic Components

Click to view similar products for [Power Transformers](#) category:

Click to view products by [Würth](#) manufacturer:

Other Similar products are found below :

[ET-030A](#) [F-102X](#) [F-120X](#) [F-14X-1](#) [F-181U](#) [F-18A](#) [F-199U](#) [F-19X](#) [F-202U](#) [F-204U](#) [F-206U](#) [F-227X](#) [F-238U](#) [F-239U-1](#) [F-23U](#) [F24-250-B](#)
[F-242U](#) [F-245U](#) [F-264U](#) [F-265U](#) [F-267U](#) [F-281U](#) [F-283U](#) [F-290X](#) [F-295Z](#) [F-296Z](#) [F-298Z](#) [F-3143P](#) [F-3298Z](#) [F-33U](#) [F-346X](#) [F-35U](#) [F-](#)
[364U](#) [F-392A](#) [F-395X](#) [F-397U](#) [F-412X](#) [F-47U](#) [F-55X-1](#) [F-60U](#) [F-68U](#) [F-71U](#) [F-72Z](#) [F-74U](#) [F-83A](#) [F-84AC](#) [F-85U](#) [F-86U](#) [F-9U](#) [PCT-02](#)