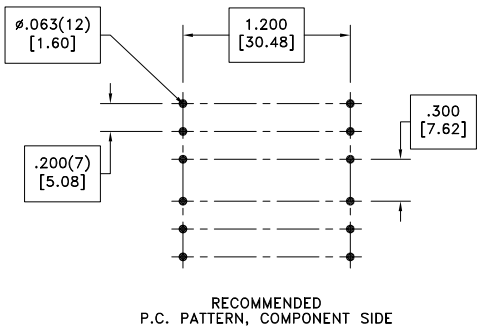
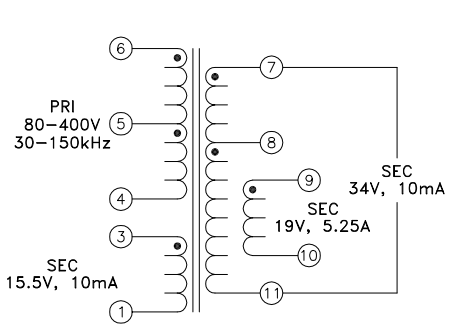
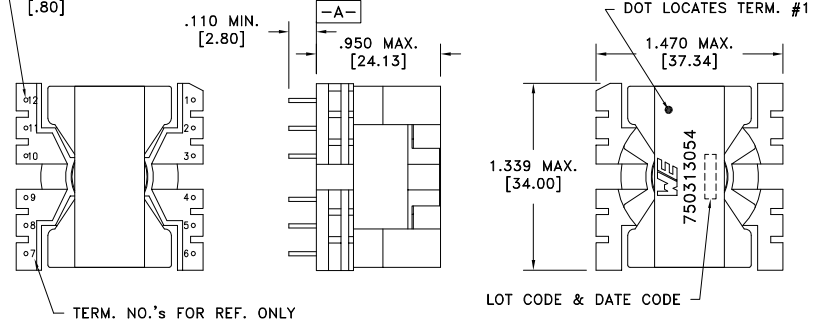


CUSTOMER TERMINAL	RoHS	LEAD(Pb)-FREE
Sn96%, Ag4%	Yes	Yes



PART MUST INSERT FULLY TO SURFACE A IN RECOMMENDED GRID
 ø.031(12)



Application of the transformer allows for the leadwires between terminals 8&9 and 10&11 to solder bridge.

ELECTRICAL SPECIFICATIONS @ 25°C unless otherwise noted:

PARAMETER	TEST CONDITIONS	VALUE
D.C. RESISTANCE	4-6 @20°C	0.321 ohms ±10%
D.C. RESISTANCE	1-3 @20°C	0.055 ohms ±20%
D.C. RESISTANCE	7-8 @20°C	0.028 ohms max.
D.C. RESISTANCE	8-11 @20°C	0.020 ohms max.
D.C. RESISTANCE	9-10 @20°C	0.020 ohms max.
INDUCTANCE	4-6 10kHz, 100mVAC, Ls	500uH ±10%
SATURATION CURRENT	20% rolloff from initial	4.25A
LEAKAGE INDUCTANCE	4-6 tie(1+3, 7+8+9+10+11), 100kHz, 100mVAC, Ls	3.5uH typ., 7.0uH max.
DIELECTRIC	6-7 tie(3+4, 8+9), 4000VAC, 1 second	4000VAC, 1 minute
DIELECTRIC	1-6 625VAC, 1 second	500VAC, 1 minute
URNS RATIO	(6-5):(5-4)	1:1, ±1%
URNS RATIO	(6-4):(3-1)	7.2:1, ±1%
URNS RATIO	(6-4):(7-8)	9:1, ±1%
URNS RATIO	(6-4):(8-11)	6:1, ±1%
URNS RATIO	(6-4):(9-10)	6:1, ±1%

GENERAL SPECIFICATIONS:

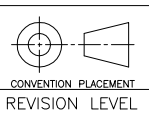
OPERATING TEMPERATURE RANGE: -40°C to +125°C including temp rise.

Designed to comply with the following requirements as defined by IEC60950-1, EN60950-1, UL60950-1/CSA60950-1 and AS/NZS60950.1:

- Basic insulation for a primary circuit at a working voltage of 400VDC.

Wire insulation & RoHS status not affected by wire color.
 Wire insulation color may vary depending on availability.

REV.	DATE	Packaging Specifications
		Method: Tray PKG-0631 www.we-online.com/midcom
6B	9/13	
6A	1/13	SEE REVISION SHEET FOR REVISION LEVEL



Tolerances unless otherwise specified:
 Method: ±1° Decimals: ±.005 [.13]
 Fractions: ±1/64 Footprint: ±.001 [.03]

This drawing is dual dimensioned. Dimensions in brackets are in millimeters.

DRAWING TITLE
TRANSFORMER

eiSos p/n: 750313054

PART NO.
750313054

SPECIFICATION SHEET 1 OF 1



X-ON Electronics

Largest Supplier of Electrical and Electronic Components

Click to view similar products for [Power Transformers](#) category:

Click to view products by [Würth](#) manufacturer:

Other Similar products are found below :

[ET-030A](#) [F-102X](#) [F-120X](#) [F-14X-1](#) [F-181U](#) [F-18A](#) [F-199U](#) [F-19X](#) [F-202U](#) [F-204U](#) [F-206U](#) [F-227X](#) [F-238U](#) [F-239U-1](#) [F-23U](#) [F24-250-B](#)
[F-242U](#) [F-245U](#) [F-264U](#) [F-265U](#) [F-267U](#) [F-281U](#) [F-283U](#) [F-290X](#) [F-295Z](#) [F-296Z](#) [F-298Z](#) [F-3143P](#) [F-3298Z](#) [F-33U](#) [F-346X](#) [F-35U](#) [F-](#)
[364U](#) [F-392A](#) [F-395X](#) [F-397U](#) [F-412X](#) [F-47U](#) [F-55X-1](#) [F-60U](#) [F-68U](#) [F-71U](#) [F-72Z](#) [F-74U](#) [F-83A](#) [F-84AC](#) [F-85U](#) [F-86U](#) [F-9U](#) [PCT-02](#)