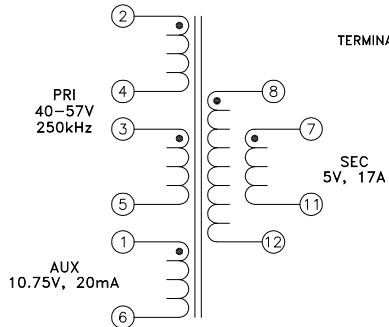
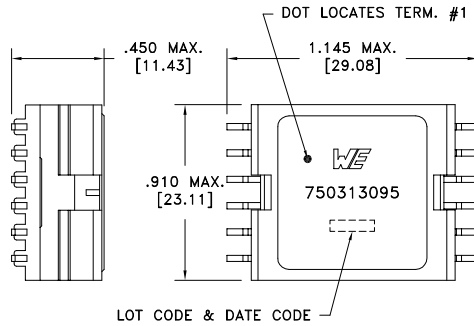
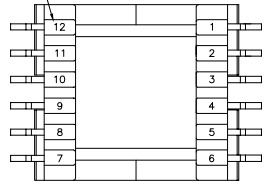


| | | |
|-------------------|------|---------------|
| CUSTOMER TERMINAL | RoHS | LEAD(Pb)-FREE |
| Sn96%, Ag4% | Yes | Yes |

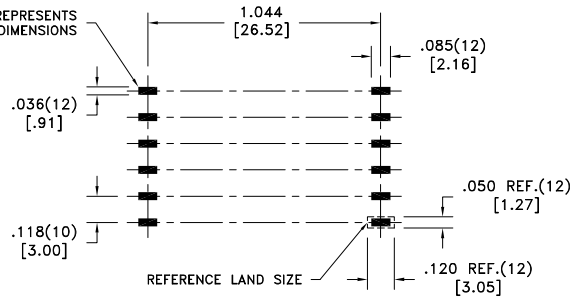
more than you expect



TERM. NO.'s FOR REF. ONLY



AREA REPRESENTS TERMINAL PAD DIMENSIONS



REFERENCE LAND SIZE CUSTOMER TO DETERMINE LAND LAYOUT

Application of the transformer allows for the leadwires between terminals 3&4, 7&8 and 11&12 to solder bridge.

ELECTRICAL SPECIFICATIONS @ 25°C unless otherwise noted:

| PARAMETER | TEST CONDITIONS | VALUE |
|--------------------|---|------------------------|
| D.C. RESISTANCE | 1-6 @20°C | 0.188 ohms ±20% |
| D.C. RESISTANCE | 2-5 tie(3+4), @20°C | 0.050 ohms max. |
| D.C. RESISTANCE | 7-11 @20°C | 0.020 ohms max. |
| D.C. RESISTANCE | 8-12 @20°C | 0.020 ohms max. |
| INDUCTANCE | 2-5 tie(3+4), 10kHz, 100mVAC, Ls | 175uH min. |
| LEAKAGE INDUCTANCE | 2-5 tie(1+6, 3+4, 7+8+11+12), 100kHz, 100mVAC, Ls | 0.5uH typ., 1.0uH max. |
| DIELECTRIC | 1-8 tie(4+5+6, 7+8), 3000VDC, 1 second | 2400VDC, 1 minute |
| DIELECTRIC | 1-2 tie(4+5), 625VAC, 1 second | 500VAC, 1 minute |
| TURNS RATIO | (2-4):(3-5) | 1:1, ±1% |
| TURNS RATIO | (2-5):(1-6), tie(3+4) | 1.56:1, ±1% |
| TURNS RATIO | (2-5):(7-11), tie(3+4) | 3.46:1, ±2% |
| TURNS RATIO | (2-5):(8-12), tie(3+4) | 3.46:1, ±2% |

GENERAL SPECIFICATIONS:

OPERATING TEMPERATURE RANGE: -40°C to +125°C including temp rise.

Designed for functional insulation.

Wire insulation & RoHS status not affected by wire color.
Wire insulation color may vary depending on availability.

| | | | | | | |
|------|------|--|--|--|-------------------------------------|------------------------------|
| REV. | DATE | Packaging Specifications Method: Tape & Reel PKG-0647 www.we-online.com/midcom | | Tolerances unless otherwise specified: Angles: ±1° Fractions: ±1/64 Decimals: ±.005 [.13] Footprint: ±.005 [.13] | DRAWING TITLE TRANSFORMER | PART NO. 750313095 |
| 6A | 1/15 | SEE REVISION SHEET FOR REVISION LEVEL | | This drawing is dual dimensioned. Dimensions in brackets are in millimeters. | eiSos p/n: 750313095 | SPECIFICATION SHEET 1 OF 1 |

X-ON Electronics

Largest Supplier of Electrical and Electronic Components

Click to view similar products for [Power Transformers](#) category:

Click to view products by [Würth](#) manufacturer:

Other Similar products are found below :

[ET-030A](#) [F-102X](#) [F-120X](#) [F-14X-1](#) [F-181U](#) [F-18A](#) [F-199U](#) [F-19X](#) [F-202U](#) [F-204U](#) [F-206U](#) [F-227X](#) [F-238U](#) [F-239U-1](#) [F-23U](#) [F24-250-B](#)
[F-242U](#) [F-245U](#) [F-264U](#) [F-265U](#) [F-267U](#) [F-281U](#) [F-283U](#) [F-290X](#) [F-295Z](#) [F-296Z](#) [F-298Z](#) [F-3143P](#) [F-3298Z](#) [F-33U](#) [F-346X](#) [F-35U](#) [F-](#)
[364U](#) [F-392A](#) [F-395X](#) [F-397U](#) [F-412X](#) [F-47U](#) [F-55X-1](#) [F-60U](#) [F-68U](#) [F-71U](#) [F-72Z](#) [F-74U](#) [F-83A](#) [F-84AC](#) [F-85U](#) [F-86U](#) [F-9U](#) [PCT-02](#)