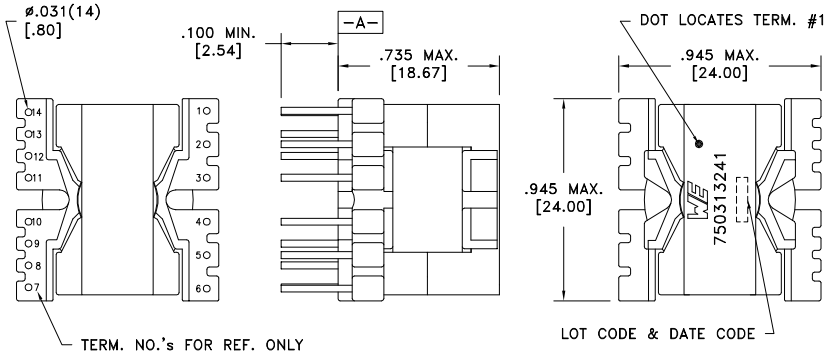


CUSTOMER TERMINAL	RoHS	LEAD(Pb)-FREE
Sn96%, Ag4%	Yes	Yes

more than you expect

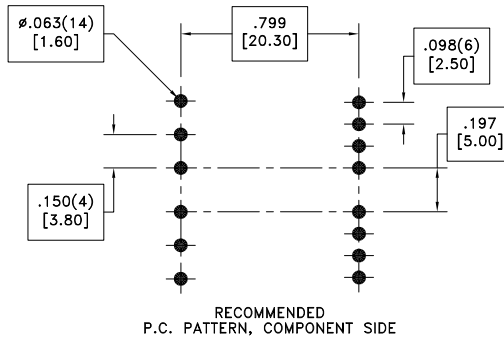
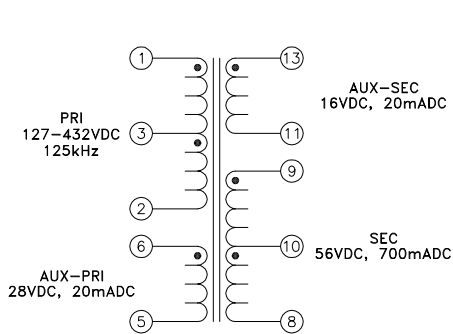


PART MUST INSERT FULLY TO SURFACE A IN RECOMMENDED GRID



ELECTRICAL SPECIFICATIONS @ 25°C unless otherwise noted:

PARAMETER	TEST CONDITIONS	VALUE
D.C. RESISTANCE	1-3 @20°C	1.05 ohms ±10%
D.C. RESISTANCE	3-2 @20°C	1.35 ohms ±10%
D.C. RESISTANCE	6-5 @20°C	0.290 ohms ±10%
D.C. RESISTANCE	9-10 @20°C	0.110 ohms ±10%
D.C. RESISTANCE	10-8 @20°C	0.088 ohms ±10%
D.C. RESISTANCE	13-11 @20°C	0.175 ohms ±10%
INDUCTANCE	1-2 10kHz, 100mVAC, Ls	3.52mH ±10%
SATURATION CURRENT	20% rolloff from initial	780mA
LEAKAGE INDUCTANCE	1-2 tie(5+6, 8+9+10+11+13), 100kHz, 100mVAC, Ls	22uH max.
DIELECTRIC	1-9 tie(2+6, 8+13), 3750VAC, 1 second	3000VAC, 1 minute
TURNS RATIO	(1-2):(6-5)	8.83:1, ±2%
TURNS RATIO	(1-2):(13-11)	15.14:1, ±2%
TURNS RATIO	(1-2):(9-10)	8.83:1, ±2%
TURNS RATIO	(1-2):(10-8)	8.83:1, ±2%
TURNS RATIO	(1-3):(3-2)	1:1, ±2%



GENERAL SPECIFICATIONS:

OPERATING TEMPERATURE RANGE: -40°C to +125°C including temp rise.

Safety Standard Undefined.

Wire insulation & RoHS status not affected by wire color.
Wire insulation color may vary depending on availability.

DETAILS SUBJECT TO CHANGE

REV.	DATE	Packaging Specifications Method: Tray PKG-0100 www.we-online.com/midcom		Tolerances unless otherwise specified: Angles: ±1° Fractions: ±1/64 Decimals: ±.005 [0.13] Footprint: ±.001 [0.03]	DRAWING TITLE TRANSFORMER	PART NO. 750313241
6A	11/12	SEE REVISION SHEET FOR REVISION LEVEL	CONVENTION PLACEMENT	This drawing is dual dimensioned. Dimensions in brackets are in millimeters.	eiSos p/n: 750313241	SPECIFICATION SHEET 1 OF 1

X-ON Electronics

Largest Supplier of Electrical and Electronic Components

Click to view similar products for [Power Transformers](#) category:

Click to view products by [Würth](#) manufacturer:

Other Similar products are found below :

[ET-030A](#) [F-102X](#) [F-120X](#) [F-14X-1](#) [F-181U](#) [F-18A](#) [F-199U](#) [F-19X](#) [F-202U](#) [F-204U](#) [F-206U](#) [F-227X](#) [F-238U](#) [F-239U-1](#) [F-23U](#) [F24-250-B](#)
[F-242U](#) [F-245U](#) [F-264U](#) [F-265U](#) [F-267U](#) [F-281U](#) [F-283U](#) [F-290X](#) [F-295Z](#) [F-296Z](#) [F-298Z](#) [F-3143P](#) [F-3298Z](#) [F-33U](#) [F-346X](#) [F-35U](#) [F-](#)
[364U](#) [F-392A](#) [F-395X](#) [F-397U](#) [F-412X](#) [F-47U](#) [F-55X-1](#) [F-60U](#) [F-68U](#) [F-71U](#) [F-72Z](#) [F-74U](#) [F-83A](#) [F-84AC](#) [F-85U](#) [F-86U](#) [F-9U](#) [PCT-02](#)