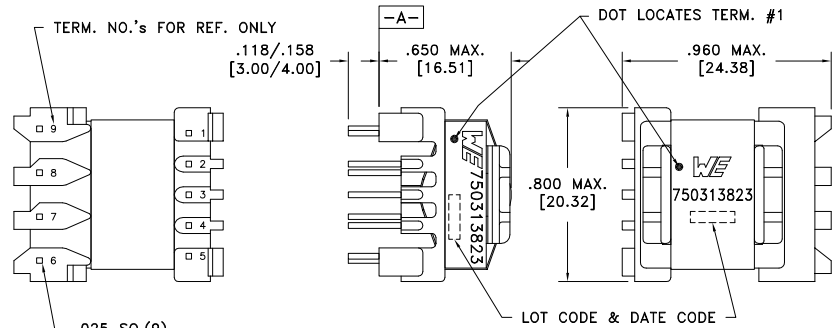


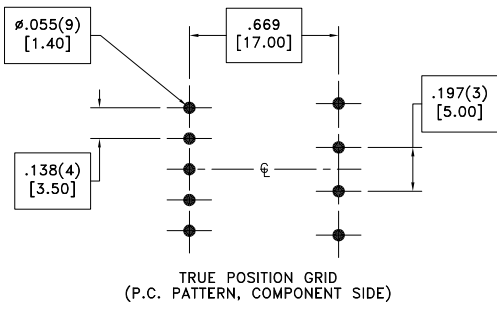
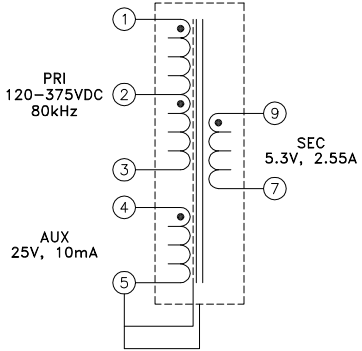
CUSTOMER TERMINAL	RoHS	LEAD(Pb)-FREE
Sn96%, Ag4%	Yes	Yes

more than you expect



TERM. NO.'s FOR REF. ONLY
 .025 SQ.(9)
 [.64]
 PART MUST INSERT FULLY TO SURFACE A IN TRUE POSITION GRID

ALTERNATE MARKING DETAIL



ELECTRICAL SPECIFICATIONS @ 25°C unless otherwise noted:

PARAMETER	TEST CONDITIONS	VALUE
D.C. RESISTANCE	7-9 @20°C	0.016 ohms ±20%
D.C. RESISTANCE	5-4 @20°C	1.49 ohms ±10%
D.C. RESISTANCE	1-3 @20°C	2.19 ohms ±10%
INDUCTANCE	1-3 10kHz, 100mVAC, Ls	367uH ±10%
SATURATION CURRENT	20% rolloff from initial	2.2A
LEAKAGE INDUCTANCE	tie(4+5, 7+9), 100kHz, 100mVAC, Ls	20uH max.
DIELECTRIC	tie(3+4), 4500VAC, 1 second	4500VAC, 1 minute
URNS RATIO	(3-1):(5-4)	2.971:1, ±1%
URNS RATIO	(3-1):(7-9)	13:1, ±1%

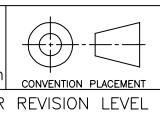
GENERAL SPECIFICATIONS:

OPERATING TEMPERATURE RANGE: -40°C to +125°C including temp rise.

Designed to comply with the following requirements as defined by IEC61558-2-16:
 - Reinforced insulation for a primary circuit at a working voltage of 400VDC.

Wire insulation & RoHS status not affected by wire color.
 Wire insulation color may vary depending on availability.

REV.	DATE	Packaging Specifications
		Method: Tray PKG-0735 www.we-online.com/midcom
6A	12/13	SEE REVISION SHEET FOR REVISION LEVEL



Tolerances unless otherwise specified:
 Angles: ±1°
 Fractions: ±1/64
 Decimals: ±.005 [.13]
 Footprint: ±.001 [.03]
 This drawing is dual dimensioned. Dimensions in brackets are in millimeters.

DRAWING TITLE
TRANSFORMER
 eiSos p/n: 750313823

PART NO.
750313823
 SPECIFICATION SHEET 1 OF 1



X-ON Electronics

Largest Supplier of Electrical and Electronic Components

Click to view similar products for [Power Transformers](#) category:

Click to view products by [Würth](#) manufacturer:

Other Similar products are found below :

[ET-030A](#) [F-102X](#) [F-120X](#) [F-14X-1](#) [F-181U](#) [F-18A](#) [F-199U](#) [F-19X](#) [F-202U](#) [F-204U](#) [F-206U](#) [F-227X](#) [F-238U](#) [F-239U-1](#) [F-23U](#) [F24-250-B](#)
[F-242U](#) [F-245U](#) [F-264U](#) [F-265U](#) [F-267U](#) [F-281U](#) [F-283U](#) [F-290X](#) [F-295Z](#) [F-296Z](#) [F-298Z](#) [F-3143P](#) [F-3298Z](#) [F-33U](#) [F-346X](#) [F-35U](#) [F-](#)
[364U](#) [F-392A](#) [F-395X](#) [F-397U](#) [F-412X](#) [F-47U](#) [F-55X-1](#) [F-60U](#) [F-68U](#) [F-71U](#) [F-72Z](#) [F-74U](#) [F-83A](#) [F-84AC](#) [F-85U](#) [F-86U](#) [F-9U](#) [PCT-02](#)