

| | | |
|-------------------|------|---------------|
| CUSTOMER TERMINAL | RoHS | LEAD(Pb)-FREE |
| Sn96%, Ag4% | Yes | Yes |

more than you expect



ELECTRICAL SPECIFICATIONS @ 25°C unless otherwise noted:

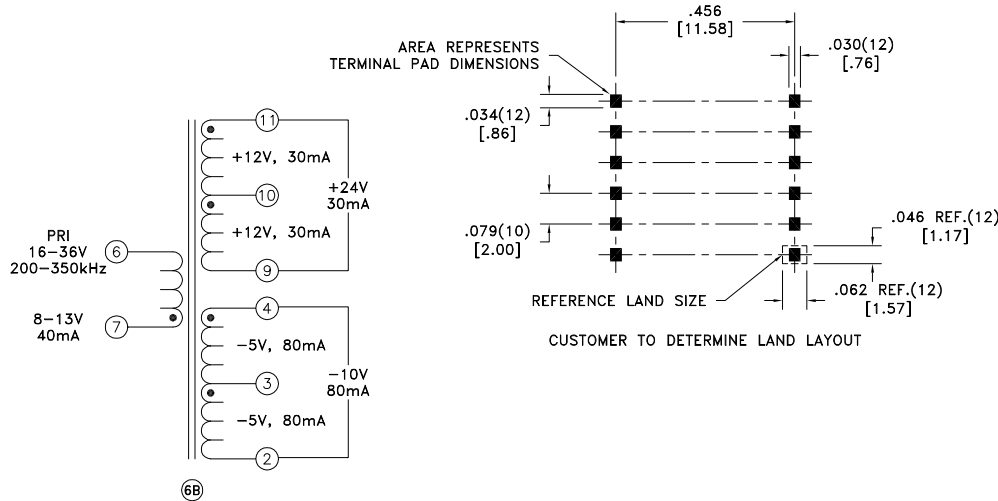
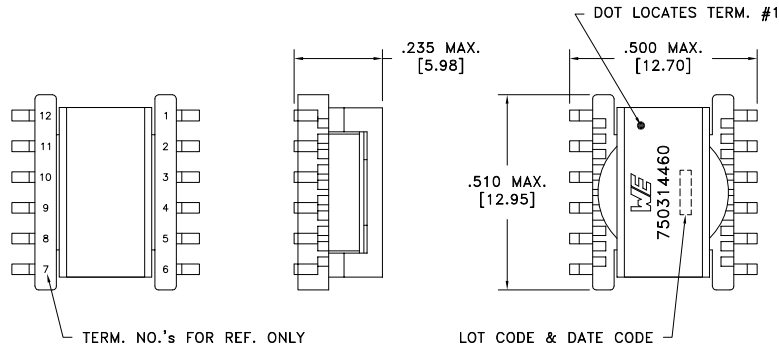
| PARAMETER | TEST CONDITIONS | VALUE |
|--------------------|---|-------------------|
| D.C. RESISTANCE | 11-10 @20°C | 0.211 ohms ±10% |
| D.C. RESISTANCE | 10-9 @20°C | 0.208 ohms ±10% |
| D.C. RESISTANCE | 7-6 @20°C | 0.200 ohms ±10% |
| D.C. RESISTANCE | 3-2 @20°C | 0.117 ohms ±10% |
| D.C. RESISTANCE | 4-3 @20°C | 0.118 ohms ±10% |
| INDUCTANCE | 7-6 10kHz, 100mVAC, Ls | 45.0uH ±10% |
| SATURATION CURRENT | 20% rolloff from initial | 900mA |
| LEAKAGE INDUCTANCE | 7-6 tie(2+3+4+9+10+11), 100kHz, 100mVAC, Ls | 910nH max. |
| DIELECTRIC | 7-9 tie(2+11), 1875VAC, 1 second | 1500VAC, 1 minute |
| TURNS RATIO | (11-10):(7-6) | 1.28:1, ±1% |
| TURNS RATIO | (10-9):(7-6) | 1.28:1, ±1% |
| TURNS RATIO | (7-6):(3-2) | 1.785:1, ±1% |
| TURNS RATIO | (7-6):(4-3) | 1.785:1, ±1% |
| TURNS RATIO | (11-10):(4-3) | 2.286:1, ±1% |

GENERAL SPECIFICATIONS:

OPERATING TEMPERATURE RANGE: -40°C to +125°C including temp rise.

Designed to comply with the following requirements as defined by IEC60950-1, EN60950-1, UL60950-1/CSA60950-1 and AS/NZS60950.1:

- Functional insulation.



Wire insulation & RoHS status not affected by wire color.
Wire insulation color may vary depending on availability.

DETAILS SUBJECT TO CHANGE

| | | | | | | |
|------|------|--|--|--|-------------------------------------|------------------------------|
| REV. | DATE | Packaging Specifications Method: Tape & Reel PKG-0757 www.we-online.com/midcom | | Tolerances unless otherwise specified: Angles: ±1° Fractions: ±1/64 Decimals: ±.005 [.13] Footprint: ±.005 [.13] | DRAWING TITLE TRANSFORMER | PART NO. 750314460 |
| 6B | 2/15 | | | This drawing is dual dimensioned. Dimensions in brackets are in millimeters. | eiSos p/n: 750314460 | |
| 6A | 9/14 | SEE REVISION SHEET FOR REVISION LEVEL | | | | SPECIFICATION SHEET 1 OF 1 |



X-ON Electronics

Largest Supplier of Electrical and Electronic Components

Click to view similar products for [Power Transformers](#) category:

Click to view products by [Würth](#) manufacturer:

Other Similar products are found below :

[ET-030A](#) [F-102X](#) [F-120X](#) [F-14X-1](#) [F-181U](#) [F-18A](#) [F-199U](#) [F-19X](#) [F-202U](#) [F-204U](#) [F-206U](#) [F-227X](#) [F-238U](#) [F-239U-1](#) [F-23U](#) [F24-250-B](#)
[F-242U](#) [F-245U](#) [F-264U](#) [F-265U](#) [F-267U](#) [F-281U](#) [F-283U](#) [F-290X](#) [F-295Z](#) [F-296Z](#) [F-298Z](#) [F-3143P](#) [F-3298Z](#) [F-33U](#) [F-346X](#) [F-35U](#) [F-](#)
[364U](#) [F-392A](#) [F-395X](#) [F-397U](#) [F-412X](#) [F-47U](#) [F-55X-1](#) [F-60U](#) [F-68U](#) [F-71U](#) [F-72Z](#) [F-74U](#) [F-83A](#) [F-84AC](#) [F-85U](#) [F-86U](#) [F-9U](#) [PCT-02](#)