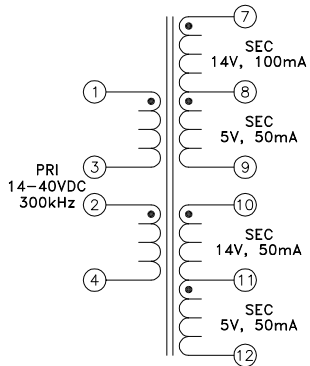
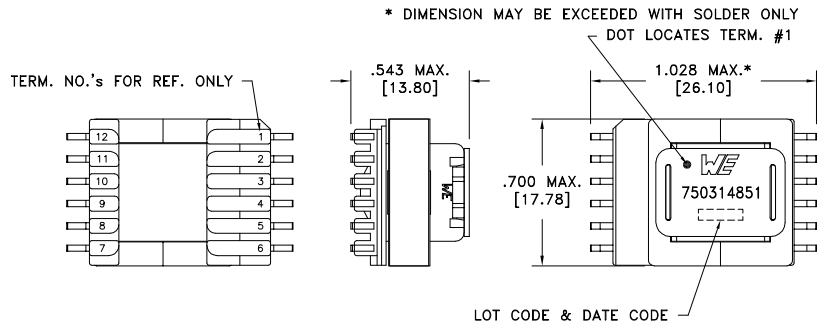
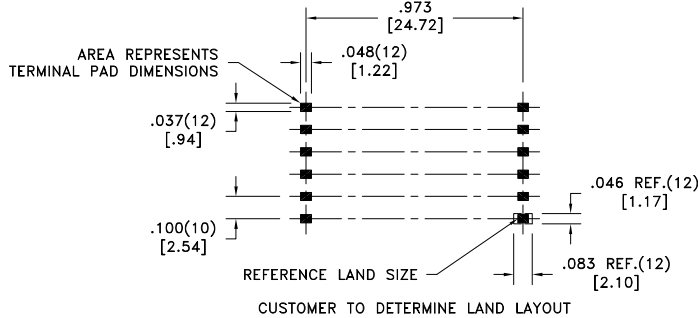


CUSTOMER TERMINAL	RoHS	LEAD(Pb)-FREE
Sn96%, Ag4%	Yes	Yes



Customer to tie terminals 2&3 on PC board.

Application of the transformer allows for the leadwires between terminals 2&3 to solder bridge.



ELECTRICAL SPECIFICATIONS @ 25°C unless otherwise noted:

PARAMETER	TEST CONDITIONS	VALUE
D.C. RESISTANCE	1-4 tie(2+3), @20°C	0.190 ohms ±10%
D.C. RESISTANCE	7-8 @20°C	0.325 ohms ±10%
D.C. RESISTANCE	8-9 @20°C	0.200 ohms ±10%
D.C. RESISTANCE	10-11 @20°C	0.350 ohms ±10%
D.C. RESISTANCE	11-12 @20°C	0.215 ohms ±10%
INDUCTANCE	1-4 tie(2+3), 10kHz, 100mVAC, Ls	68.0uH ±10%
SATURATION CURRENT	20% rolloff from initial	1.8A
LEAKAGE INDUCTANCE	1-4 tie(2+3, 7+9, 10+12), 100kHz, 100mVAC, Ls	0.6uH typ., 1.2uH max.
DIELECTRIC	1-12 tie(2+3, 9+10), 4000VAC, 1 second	4000VAC, 1 minute
DIELECTRIC	7-12 625VAC, 1 second	-
TURNS RATIO	(2-4):(1-3)	1:1, ±1%
TURNS RATIO	(1-4):(7-8), tie(2+3)	1.1:1, ±1%
TURNS RATIO	(1-4):(8-9), tie(2+3)	1.833:1, ±1%
TURNS RATIO	(1-4):(10-11), tie(2+3)	1.1:1, ±1%
TURNS RATIO	(1-4):(11-12), tie(2+3)	1.833:1, ±1%

GENERAL SPECIFICATIONS:

OPERATING TEMPERATURE RANGE: -40°C to +125°C including temp rise.

Designed to comply with the following requirements as defined by IEC60950-1, EN60950-1, UL60950-1/CSA60950-1 and AS/NZS60950.1:

- Reinforced insulation for a primary circuit at a working voltage of 400VDC.

Wire insulation & RoHS status not affected by wire color.  
Wire insulation color may vary depending on availability.

REV.	DATE	Packaging Specifications Method: Tape & Reel PKG-0799 www.we-online.com/midcom		Tolerances unless otherwise specified: Angles: ±1° Fractions: ±1/64 Decimals: ±.005 [.13] Footprint: ±.005 [.13]	DRAWING TITLE <b>TRANSFORMER</b>	PART NO. <b>750314851</b>
6A	3/15	SEE REVISION SHEET FOR REVISION LEVEL		This drawing is dual dimensioned. Dimensions in brackets are in millimeters.	eiSos p/n: 750314851	SPECIFICATION SHEET 1 OF 1

## **X-ON Electronics**

Largest Supplier of Electrical and Electronic Components

*Click to view similar products for [Power Transformers](#) category:*

*Click to view products by [Wurth](#) manufacturer:*

Other Similar products are found below :

[ET-030A](#) [F-102X](#) [F-120X](#) [F-14X-1](#) [F-181U](#) [F-18A](#) [F-199U](#) [F-19X](#) [F-202U](#) [F-204U](#) [F-206U](#) [F-227X](#) [F-238U](#) [F-239U-1](#) [F-23U](#) [F24-250-B](#)  
[F-242U](#) [F-245U](#) [F-264U](#) [F-265U](#) [F-267U](#) [F-281U](#) [F-283U](#) [F-290X](#) [F-295Z](#) [F-296Z](#) [F-298Z](#) [F-3143P](#) [F-3298Z](#) [F-33U](#) [F-346X](#) [F-35U](#) [F-](#)  
[364U](#) [F-392A](#) [F-395X](#) [F-397U](#) [F-412X](#) [F-47U](#) [F-55X-1](#) [F-60U](#) [F-68U](#) [F-71U](#) [F-72Z](#) [F-74U](#) [F-83A](#) [F-84AC](#) [F-85U](#) [F-86U](#) [F-9U](#) [PCT-02](#)