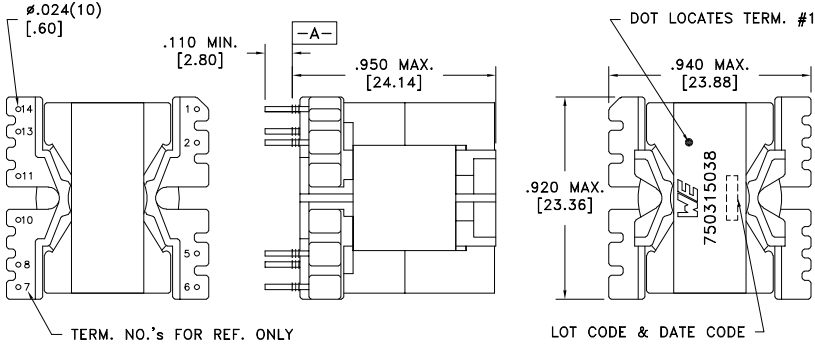


CUSTOMER TERMINAL	RoHS	LEAD(Pb)-FREE
Sn96%, Ag4%	Yes	Yes

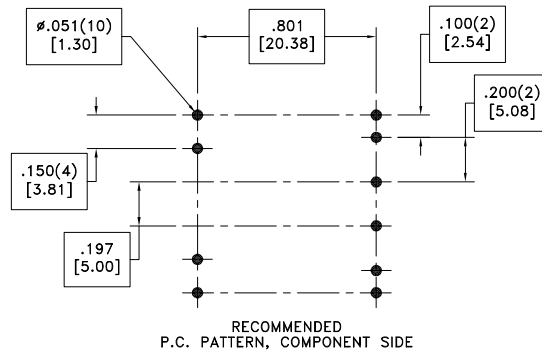
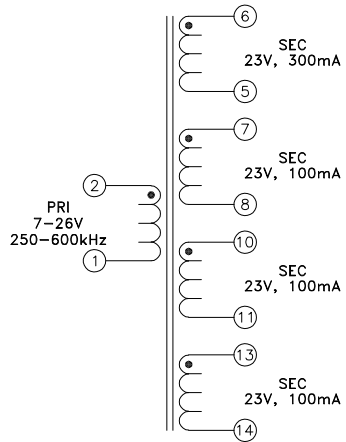


PART MUST INSERT FULLY TO SURFACE A IN RECOMMENDED GRID



ELECTRICAL SPECIFICATIONS @ 25°C unless otherwise noted:

PARAMETER	TEST CONDITIONS	VALUE
D.C. RESISTANCE	2-1 @20°C	0.042 ohms ±20%
D.C. RESISTANCE	6-5 @20°C	0.230 ohms ±10%
D.C. RESISTANCE	7-8 @20°C	0.506 ohms ±10%
D.C. RESISTANCE	10-11 @20°C	0.506 ohms ±10%
D.C. RESISTANCE	13-14 @20°C	0.506 ohms ±10%
INDUCTANCE	2-1 10kHz, 100mVAC, Ls	36.5uH ±10%
LEAKAGE INDUCTANCE	2-1 tie(5+6, 7+8, 10+11, 13+14), 100kHz, 10mVAC, Ls	300nH max.
DIELECTRIC	1-14 tie(6+7+10+13), 4500VAC, 1 second	3600VAC, 5 seconds
DIELECTRIC	6-7 tie(7+10+13), 2250VAC, 1 second	1800VAC, 5 seconds
DIELECTRIC	8-10 tie(10+13), 2250VAC, 1 second	1800VAC, 5 seconds
DIELECTRIC	11-13 2250VAC, 1 second	1800VAC, 5 seconds
TURNS RATIO	(6-5):(2-1)	2.33:1, ±1%
TURNS RATIO	(6-5):(7-8)	1:1, ±1%
TURNS RATIO	(6-5):(10-11)	1:1, ±1%
TURNS RATIO	(6-5):(13-14)	1:1, ±1%



GENERAL SPECIFICATIONS:

OPERATING TEMPERATURE RANGE: -40°C to +125°C including temp rise.

Designed to comply with the following requirements as defined by IEC61800-5-1:

- Basic insulation for a primary circuit at a working voltage of 400Vrms, pollution degree 2.

Wire insulation & RoHS status not affected by wire color.
Wire insulation color may vary depending on availability.

REV.	DATE	Packaging Specifications	CONVENTION PLACEMENT
		Method: Tray PKG-0239 www.we-online.com/midcom	
6B	7/20		
6A	1/15	SEE REVISION SHEET FOR REVISION LEVEL	

Tolerances unless otherwise specified:
Angles: ±1°
Fractions: ±1/64
Decimals: ±.005 [.13]
Footprint: ±.001 [.03]
This drawing is dual dimensioned. Dimensions in brackets are in millimeters.

DRAWING TITLE
TRANSFORMER
eiSos p/n: 750315038

PART NO.
750315038
SPECIFICATION SHEET 1 OF 1



X-ON Electronics

Largest Supplier of Electrical and Electronic Components

Click to view similar products for [Power Transformers](#) category:

Click to view products by [Würth](#) manufacturer:

Other Similar products are found below :

[ET-030A](#) [F-102X](#) [F-120X](#) [F-14X-1](#) [F-181U](#) [F-18A](#) [F-199U](#) [F-19X](#) [F-202U](#) [F-204U](#) [F-206U](#) [F-227X](#) [F-238U](#) [F-239U-1](#) [F-23U](#) [F24-250-B](#)
[F-242U](#) [F-245U](#) [F-264U](#) [F-265U](#) [F-267U](#) [F-281U](#) [F-283U](#) [F-290X](#) [F-295Z](#) [F-296Z](#) [F-298Z](#) [F-3143P](#) [F-3298Z](#) [F-33U](#) [F-346X](#) [F-35U](#) [F-](#)
[364U](#) [F-392A](#) [F-395X](#) [F-397U](#) [F-412X](#) [F-47U](#) [F-55X-1](#) [F-60U](#) [F-68U](#) [F-71U](#) [F-72Z](#) [F-74U](#) [F-83A](#) [F-84AC](#) [F-85U](#) [F-86U](#) [F-9U](#) [PCT-02](#)