

CUSTOMER TERMINAL	RoHS	LEAD(Pb)-FREE
Sn96%, Ag4%	Yes	Yes

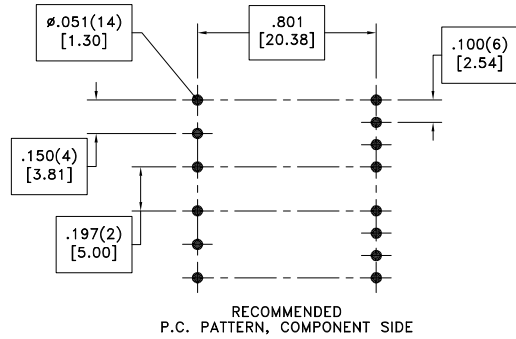
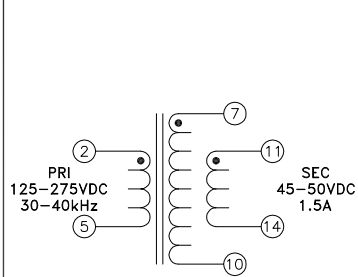
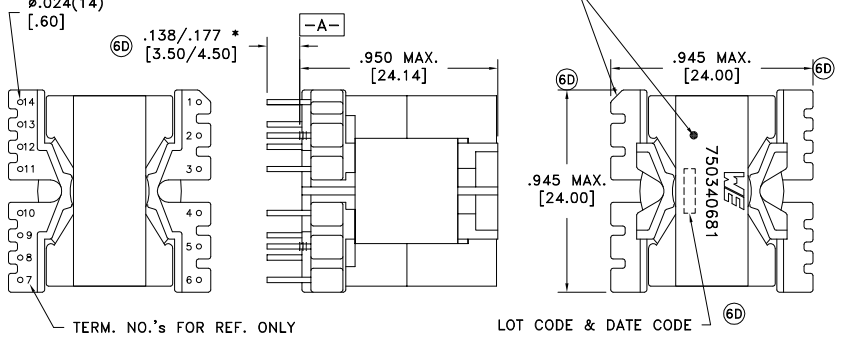
more than you expect



ELECTRICAL SPECIFICATIONS @ 25°C unless otherwise noted:

PARAMETER	TEST CONDITIONS	VALUE
D.C. RESISTANCE	5-2 @20°C	1.0 ohms max.
D.C. RESISTANCE	7-10 tie(7+11, 10+14) @20°C	0.1 ohms max.
INDUCTANCE	2-5 45kHz, 100mVAC, Ls	6mH min.
LEAKAGE INDUCTANCE	2-5 tie(7+11+14+10), 45kHz, 100mVAC, Ls	90-100uH
DIELECTRIC	2-10 tie(7+11), 3750VAC, 1 second	3000VAC, 1 minute
URNS RATIO	(2-5):(7-10)	5:1, ±2%
URNS RATIO	(2-5):(11-14)	5:1, ±2%

PART MUST INSERT FULLY TO SURFACE A IN RECOMMENDED GRID
 * DIMENSION MAY BE EXCEEDED WITH SOLDER ONLY
 DOT/CHAMFER LOCATES TERM. #1



GENERAL SPECIFICATIONS:
 OPERATING TEMPERATURE RANGE: -40°C to +125°C including temp rise.

Wire insulation & RoHS status not affected by wire color.
 Wire insulation color may vary depending on availability.

REV.	DATE	Packaging Specifications	CONVENTION PLACEMENT
6D	7/15	Method: Tray	
6C	1/12	PKG-0239	
6B	9/11	www.we-online.com/midcom	
6A	3/11	SEE REVISION SHEET FOR REVISION LEVEL	

Tolerances unless otherwise specified:
 Angles: ±1°
 Decimals: ±.005 [.13]
 Fractions: ±1/64 Footprint: ±.001 [.03]
 This drawing is dual dimensioned. Dimensions in brackets are in millimeters.

DRAWING TITLE
TRANSFORMER
 eiSos p/n: 750340681

PART NO.
750340681
 SPECIFICATION SHEET 1 OF 1



X-ON Electronics

Largest Supplier of Electrical and Electronic Components

Click to view similar products for [Power Transformers](#) category:

Click to view products by [Würth](#) manufacturer:

Other Similar products are found below :

[ET-030A](#) [F-102X](#) [F-120X](#) [F-14X-1](#) [F-181U](#) [F-18A](#) [F-199U](#) [F-19X](#) [F-202U](#) [F-204U](#) [F-206U](#) [F-227X](#) [F-238U](#) [F-239U-1](#) [F-23U](#) [F24-250-B](#)
[F-242U](#) [F-245U](#) [F-264U](#) [F-265U](#) [F-267U](#) [F-281U](#) [F-283U](#) [F-290X](#) [F-295Z](#) [F-296Z](#) [F-298Z](#) [F-3143P](#) [F-3298Z](#) [F-33U](#) [F-346X](#) [F-35U](#) [F-](#)
[364U](#) [F-392A](#) [F-395X](#) [F-397U](#) [F-412X](#) [F-47U](#) [F-55X-1](#) [F-60U](#) [F-68U](#) [F-71U](#) [F-72Z](#) [F-74U](#) [F-83A](#) [F-84AC](#) [F-85U](#) [F-86U](#) [F-9U](#) [PCT-02](#)