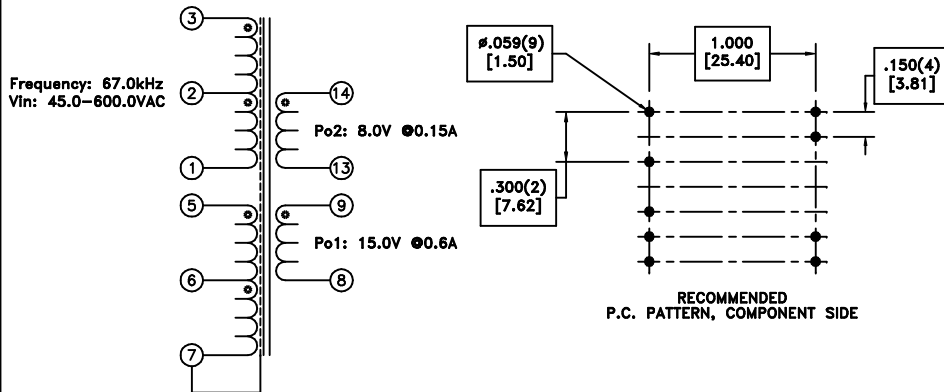
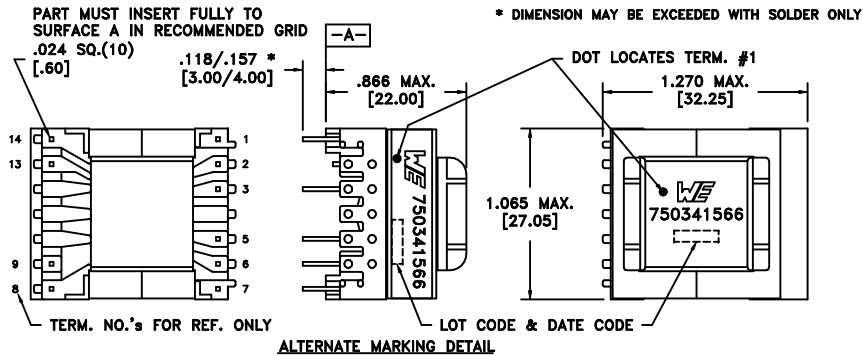


CUSTOMER TERMINAL	RoHS	LEAD(Pb)-FREE
Sn96%, Ag4%	Yes	Yes

more than you expect



**ELECTRICAL SPECIFICATIONS @ 25°C unless otherwise noted:**

PARAMETER	TEST CONDITIONS	VALUE
D.C. RESISTANCE	3-2 @20°C	0.253 ohms max.
D.C. RESISTANCE	2-1 @20°C	0.322 ohms max.
D.C. RESISTANCE	5-6 @20°C	0.438 ohms max.
D.C. RESISTANCE	6-7 @20°C	0.342 ohms max.
D.C. RESISTANCE	14-13 @20°C	0.105 ohms max.
D.C. RESISTANCE	9-8 @20°C	0.065 ohms max.
INDUCTANCE	3-1 10kHz, 1.0VAC, Ls	970.0uH ±10%
LEAKAGE INDUCTANCE	3-1 tie(5+6+7, 14+13, 9+8), 10kHz, 1.0VAC, Ls	20.0uH max.
DIELECTRIC	7-8 tie(3+5, 9+13), 3750VAC, 1 second	-
URNS RATIO	(3-1):(5-6)	8.14:1, ±2%
URNS RATIO	(3-1):(6-7)	11.40:1, ±2%
URNS RATIO	(3-1):(14-13)	9.5:1, ±2%
URNS RATIO	(3-1):(9-8)	5.18:1, ±2%

**GENERAL SPECIFICATIONS:**

OPERATING TEMPERATURE RANGE: -55°C to +125°C including temp rise.

Wire insulation & RoHS status not affected by wire color.  
Wire insulation color may vary depending on availability.

REV.	DATE	Packaging Specifications Method: Tray PKG-0737 www.we-online.com/midcom		Tolerances unless otherwise specified: Angles: ±1° Decimals: ±.005 [.13] Fractions: ±1/64 Footprint: ±.001 [.03]	DRAWING TITLE TRANSFORMER	PART NO. 750341566
6A	2/13	SEE REVISION SHEET FOR REVISION LEVEL	CONVENTION PLACEMENT	This drawing is dual dimensioned. Dimensions in brackets are in millimeters.	eiSos p/n: 750341566	SPECIFICATION SHEET 1 OF 1



## **X-ON Electronics**

Largest Supplier of Electrical and Electronic Components

*Click to view similar products for [Power Transformers](#) category:*

*Click to view products by [Würth](#) manufacturer:*

Other Similar products are found below :

[ET-030A](#) [F-102X](#) [F-120X](#) [F-14X-1](#) [F-181U](#) [F-18A](#) [F-199U](#) [F-19X](#) [F-202U](#) [F-204U](#) [F-206U](#) [F-227X](#) [F-238U](#) [F-239U-1](#) [F-23U](#) [F24-250-B](#)  
[F-242U](#) [F-245U](#) [F-264U](#) [F-265U](#) [F-267U](#) [F-281U](#) [F-283U](#) [F-290X](#) [F-295Z](#) [F-296Z](#) [F-298Z](#) [F-3143P](#) [F-3298Z](#) [F-33U](#) [F-346X](#) [F-35U](#) [F-](#)  
[364U](#) [F-392A](#) [F-395X](#) [F-397U](#) [F-412X](#) [F-47U](#) [F-55X-1](#) [F-60U](#) [F-68U](#) [F-71U](#) [F-72Z](#) [F-74U](#) [F-83A](#) [F-84AC](#) [F-85U](#) [F-86U](#) [F-9U](#) [PCT-02](#)