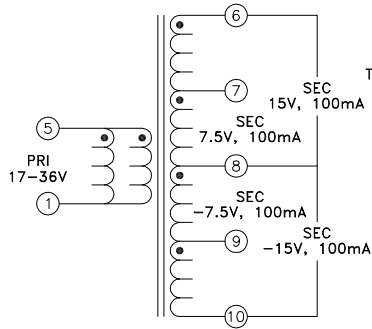
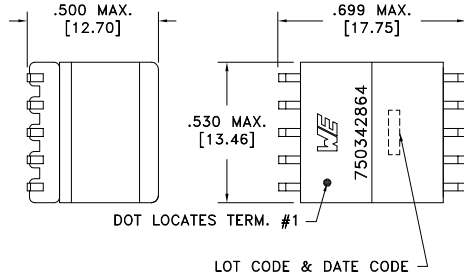
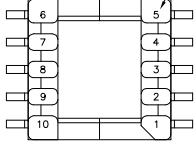


CUSTOMER TERMINAL	RoHS	LEAD(Pb)-FREE
Sn96%, Ag4%	Yes	Yes

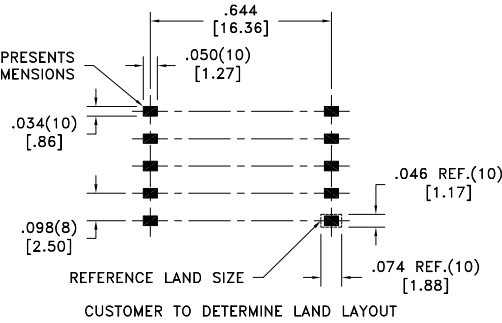
more than you expect



TERM. NO.'s FOR REF. ONLY



AREA REPRESENTS TERMINAL PAD DIMENSIONS



ELECTRICAL SPECIFICATIONS @ 25°C unless otherwise noted:

PARAMETER	TEST CONDITIONS	VALUE
D.C. RESISTANCE	5-1 @20°C	0.075 ohms max.
D.C. RESISTANCE	6-7 @20°C	0.300 ohms max.
D.C. RESISTANCE	7-8 @20°C	0.280 ohms max.
D.C. RESISTANCE	8-9 @20°C	0.260 ohms max.
D.C. RESISTANCE	9-10 @20°C	0.250 ohms max.
INDUCTANCE	5-1 50kHz, 100mVAC, Ls	50.0uH ±10%
INDUCTANCE	5-1 50kHz, 100mVAC, 2A, Ls	10.00uH min.
6B SATURATION CURRENT	5-1 20% rolloff from initial	1.8A min.
LEAKAGE INDUCTANCE	5-1 tie(6+7+8+9+10), 100kHz, 100mVAC, Ls	1200nH max.
RESONANT FREQUENCY	5-1	1.50MHz min.
DIELECTRIC	5-Core 625VAC, 1 second	500VAC, 1 minute
DIELECTRIC	6-Core 625VAC, 1 second	500VAC, 1 minute
DIELECTRIC	5-6 1875VAC, 1 second	1500VAC, 1 minute
TURNS RATIO	(5-1):(6-7)	1:1, ±2%
TURNS RATIO	(5-1):(7-8)	1:1, ±2%
TURNS RATIO	(5-1):(8-9)	1:1, ±2%
TURNS RATIO	(5-1):(9-10)	1:1, ±2%

GENERAL SPECIFICATIONS:

OPERATING TEMPERATURE RANGE: -40°C to +125°C including temp rise.

Wire insulation & RoHS status not affected by wire color.  
Wire insulation color may vary depending on availability.

REV.	DATE	Packaging Specifications Method: <b>Tape &amp; Reel</b> PKG-0499 www.we-online.com/midcom		Tolerances unless otherwise specified: Angles: ±1° Fractions: ±1/64 Decimals: ±.005 [.13] Footprint: ±.005 [.13]	DRAWING TITLE <b>TRANSFORMER</b>	PART NO. <b>750342864</b>
6B	8/16	SEE REVISION SHEET FOR REVISION LEVEL		This drawing is dual dimensioned. Dimensions in brackets are in millimeters.	eiSos p/n: 750342864	
6A	7/16					SPECIFICATION SHEET 1 OF 1

## **X-ON Electronics**

Largest Supplier of Electrical and Electronic Components

*Click to view similar products for [Power Transformers](#) category:*

*Click to view products by [Würth](#) manufacturer:*

Other Similar products are found below :

[ET-030A](#) [F-102X](#) [F-120X](#) [F-14X-1](#) [F-181U](#) [F-18A](#) [F-199U](#) [F-19X](#) [F-202U](#) [F-204U](#) [F-206U](#) [F-227X](#) [F-238U](#) [F-239U-1](#) [F-23U](#) [F24-250-B](#)  
[F-242U](#) [F-245U](#) [F-264U](#) [F-265U](#) [F-267U](#) [F-281U](#) [F-283U](#) [F-290X](#) [F-295Z](#) [F-296Z](#) [F-298Z](#) [F-3143P](#) [F-3298Z](#) [F-33U](#) [F-346X](#) [F-35U](#) [F-](#)  
[364U](#) [F-392A](#) [F-395X](#) [F-397U](#) [F-412X](#) [F-47U](#) [F-55X-1](#) [F-60U](#) [F-68U](#) [F-71U](#) [F-72Z](#) [F-74U](#) [F-83A](#) [F-84AC](#) [F-85U](#) [F-86U](#) [F-9U](#) [PCT-02](#)