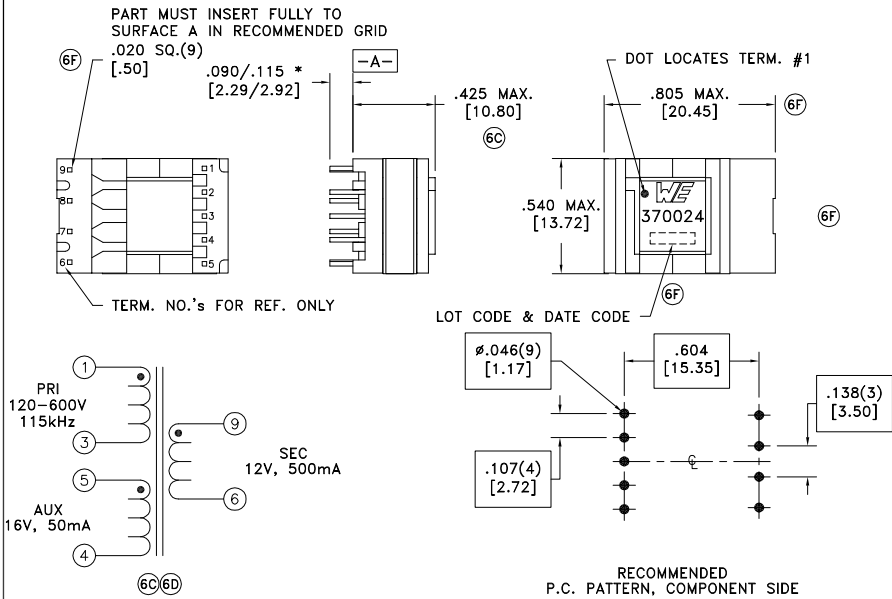


CUSTOMER TERMINAL	RoHS	LEAD(Pb)-FREE
Sn96%, Ag4%	Yes	Yes

more than you expect



* DIMENSION MAY BE EXCEEDED WITH SOLDER ONLY



ELECTRICAL SPECIFICATIONS @ 25°C unless otherwise noted:

PARAMETER	TEST CONDITIONS	VALUE
D.C. RESISTANCE	1-3 @20°C	6.20 ohms max.
D.C. RESISTANCE	6-9 @20°C	0.10 ohms max.
D.C. RESISTANCE	4-5 @20°C	1.00 ohms max.
INDUCTANCE	1-3 10kHz, 100mVAC, Ls	1.60mH ±10%
LEAKAGE INDUCTANCE	1-3 tie(4+5, 6+9), 100kHz, 100mVAC, Ls	35uH typ., 50uH max.
DIELECTRIC	1-9 tie(3+5), 4000VAC, 1 second	4000VAC, 1 minute
TURNS RATIO	(1-3):(9-6)	8:1, ±1%
TURNS RATIO	(1-3):(5-4)	6:1, ±1%

GENERAL SPECIFICATIONS:

OPERATING TEMPERATURE RANGE: -40°C to +125°C.

- Complies with the following requirements as defined by IEC61558-2-16, Amendment 1:
- Basic insulation for a working voltage of 600VDC.
 - Reinforced insulation for a working voltage of 239VAC.

- Wire insulation & RoHS status not affected by wire color.
- Wire insulation color may vary depending on availability.

REV.	DATE	Packaging Specifications		Tolerances unless otherwise specified: Angles: ±1° Decimals: ±.005 [.13] Fractions: ±1/64 Footprint: ±.001 [.03]	DRAWING TITLE	PART NO. 750370024
6F	8/15	Method: Tray			TRANSFORMER	
6E	3/11	PKG-0730			EE13/7/4	
6D	5/10	www.we-online.com/midcom			eiSos p/n: 750370024	
6C	9/09	SEE REVISION SHEET FOR REVISION LEVEL			compliant RoHS	

X-ON Electronics

Largest Supplier of Electrical and Electronic Components

Click to view similar products for [Power Transformers](#) category:

Click to view products by [Würth](#) manufacturer:

Other Similar products are found below :

[ET-030A](#) [F-102X](#) [F-120X](#) [F-14X-1](#) [F-181U](#) [F-18A](#) [F-199U](#) [F-19X](#) [F-202U](#) [F-204U](#) [F-206U](#) [F-227X](#) [F-238U](#) [F-239U-1](#) [F-23U](#) [F24-250-B](#)
[F-242U](#) [F-245U](#) [F-264U](#) [F-265U](#) [F-267U](#) [F-281U](#) [F-283U](#) [F-290X](#) [F-295Z](#) [F-296Z](#) [F-298Z](#) [F-3143P](#) [F-3298Z](#) [F-33U](#) [F-346X](#) [F-35U](#) [F-](#)
[364U](#) [F-392A](#) [F-395X](#) [F-397U](#) [F-412X](#) [F-47U](#) [F-55X-1](#) [F-60U](#) [F-68U](#) [F-71U](#) [F-72Z](#) [F-74U](#) [F-83A](#) [F-84AC](#) [F-85U](#) [F-86U](#) [F-9U](#) [PCT-02](#)