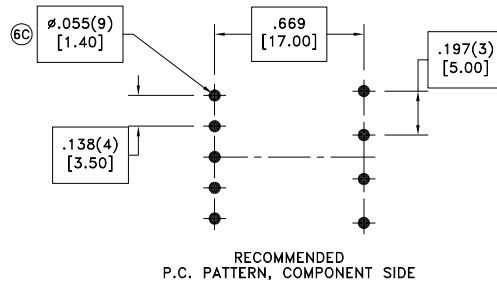
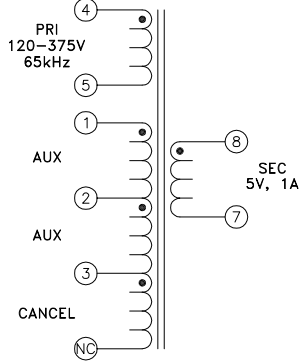
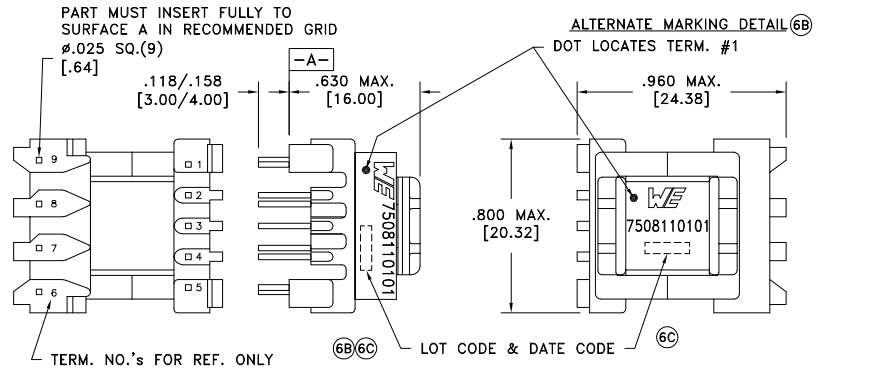


CUSTOMER TERMINAL	RoHS	LEAD(Pb)-FREE
Sn96%, Ag4%	Yes	Yes

more than you expect



ELECTRICAL SPECIFICATIONS @ 25°C unless otherwise noted:

PARAMETER	TEST CONDITIONS	VALUE
D.C. RESISTANCE	1-2 @20°C	0.118 ohms \pm 10%
D.C. RESISTANCE	2-3 @20°C	0.118 ohms \pm 10%
D.C. RESISTANCE	4-5 @20°C	2.05 ohms \pm 10%
D.C. RESISTANCE	7-8 @20°C	0.015 ohms \pm 20%
INDUCTANCE	4-5 10kHz, 100mVAC, Ls	1.07mH \pm 10%
SATURATION CURRENT	20% rolloff from initial	700mA
LEAKAGE INDUCTANCE	4-5 tie(1+2+3, 7+8), 100kHz, 100mVAC, Ls	25uH typ., 35uH max.
DIELECTRIC RAING	2-8 4500VAC, 1 second	4500VAC, 1 minute
DIELECTRIC RATING	5-8 4500VAC, 1 second	4500VAC, 1 minute
DIELECTRIC RATING	2-5 625VAC, 1 second	500VAC, 1 minute
TURNS RATIO	(4-5):(8-7)	15:1, \pm 1%
TURNS RATIO	(4-5):(1-2)	17.5:1, \pm 1%
TURNS RATIO	(4-5):(2-3)	17.5:1, \pm 1%

GENERAL SPECIFICATIONS:

OPERATING TEMPERATURE RANGE: -40°C to +125°C including temp rise.

Designed to comply with the following requirements as defined by IEC61558-2-16:
 - Reinforced insulation for a primary circuit at a working voltage of 400VDC.

REV.	DATE	Packaging Specifications Method: Tray (6B) PKG-0735 www.we-online.com/midcom		Tolerances unless otherwise specified: Angles: \pm 1° Fractions: \pm 1/64	Decimals: \pm .005 [.13] Footprint: \pm .001 [.03]	DRAWING TITLE TRANSFORMER	PART NO. 7508110101
6C	6/13			This drawing is dual dimensioned. Dimensions in brackets are in millimeters.		eiSos p/n: 7508110101	
6B	8/11						SPECIFICATION SHEET 1 OF 1
6A	3/09	SEE REVISION SHEET FOR REVISION LEVEL					

X-ON Electronics

Largest Supplier of Electrical and Electronic Components

Click to view similar products for [Power Transformers](#) category:

Click to view products by [Würth](#) manufacturer:

Other Similar products are found below :

[ET-030A](#) [F-102X](#) [F-120X](#) [F-14X-1](#) [F-181U](#) [F-18A](#) [F-199U](#) [F-19X](#) [F-202U](#) [F-204U](#) [F-206U](#) [F-227X](#) [F-238U](#) [F-239U-1](#) [F-23U](#) [F24-250-B](#)
[F-242U](#) [F-245U](#) [F-264U](#) [F-265U](#) [F-267U](#) [F-281U](#) [F-283U](#) [F-290X](#) [F-295Z](#) [F-296Z](#) [F-298Z](#) [F-3143P](#) [F-3298Z](#) [F-33U](#) [F-346X](#) [F-35U](#) [F-](#)
[364U](#) [F-392A](#) [F-395X](#) [F-397U](#) [F-412X](#) [F-47U](#) [F-55X-1](#) [F-60U](#) [F-68U](#) [F-71U](#) [F-72Z](#) [F-74U](#) [F-83A](#) [F-84AC](#) [F-85U](#) [F-86U](#) [F-9U](#) [PCT-02](#)