

|                   |      |               |
|-------------------|------|---------------|
| CUSTOMER TERMINAL | RoHS | LEAD(Pb)-FREE |
| Sn96%, Ag4%       | Yes  | Yes           |

more than you expect



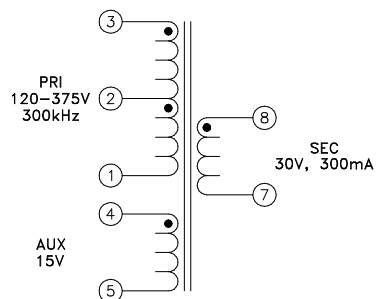
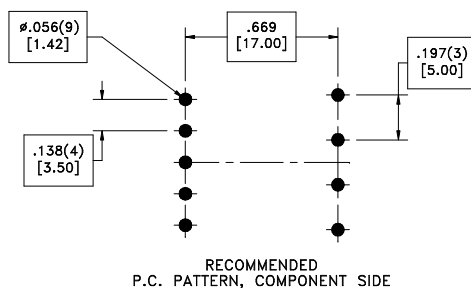
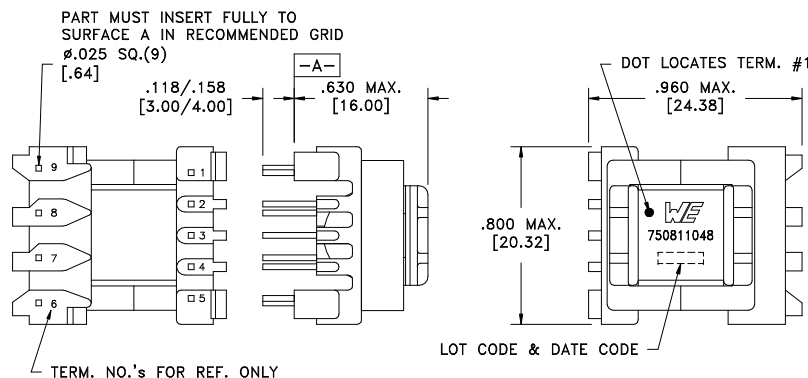
**ELECTRICAL SPECIFICATIONS @ 25°C unless otherwise noted:**

| PARAMETER          | TEST CONDITIONS                        | VALUE                |
|--------------------|--|----------------------|
| D.C. RESISTANCE    | 1-3 @20°C                              | 2.90 ohms ±10%       |
| D.C. RESISTANCE    | 4-5 @20°C                              | 1.22 ohms ±10%       |
| D.C. RESISTANCE    | 7-8 @20°C                              | 0.210 ohms ±10%      |
| INDUCTANCE         | 1-3 10kHz, 100mVAC, Ls                 | 1.50mH ±10%          |
| SATURATION CURRENT | 20% rolloff from initial               | 650mA                |
| LEAKAGE INDUCTANCE | 1-3 tie(4+5, 7+8), 100kHz, 100mVAC, Ls | 22uH typ., 35uH max. |
| DIELECTRIC         | 3-8 tie(1+4), 4500VAC, 1 second        | 4500VAC, 1 minute    |
| DIELECTRIC         | 3-4 1250VAC, 1 second                  | 1000VAC, 1 minute    |
| TURNS RATIO        | (3-1):(8-7)                            | 4.52:1, ±1%          |
| TURNS RATIO        | (8-7):(4-5)                            | 2:1, ±1%             |
| TURNS RATIO        | (3-2):(2-1)                            | 1:1, ±1%             |

**GENERAL SPECIFICATIONS:**

OPERATING TEMPERATURE RANGE: -40°C to +125°C including temp rise.

Designed to comply with the following requirements as defined by IEC61558-2-17:  
 - Reinforced insulation for a primary circuit at a working voltage of 400VDC.



Wire insulation & RoHS status not affected by wire color.  
 Wire insulation color may vary depending on availability.

|      |       |  |                      |  |                                     |                              |
|------|-------|--|----------------------|--|-------------------------------------|------------------------------|
| REV. | DATE  | Packaging Specifications<br>Method: Tray<br>PKG-0735<br>www.we-online.com/midcom |                      | Tolerances unless otherwise specified:<br>Angles: ±1°      Decimals: ±.005 [.13]<br>Fractions: ±1/64      Footprint: ±.001 [.03] | DRAWING TITLE<br><b>TRANSFORMER</b> | PART NO.<br><b>750811048</b> |
| 6A   | 11/10 | SEE REVISION SHEET FOR REVISION LEVEL  | CONVENTION PLACEMENT | This drawing is dual dimensioned. Dimensions in brackets are in millimeters.   | eiSos p/n: 750811048                | SPECIFICATION SHEET 1 OF 1   |

## **X-ON Electronics**

Largest Supplier of Electrical and Electronic Components

*Click to view similar products for [Power Transformers](#) category:*

*Click to view products by [Würth](#) manufacturer:*

Other Similar products are found below :

[ET-030A](#) [F-102X](#) [F-120X](#) [F-14X-1](#) [F-181U](#) [F-18A](#) [F-199U](#) [F-19X](#) [F-202U](#) [F-204U](#) [F-206U](#) [F-227X](#) [F-238U](#) [F-239U-1](#) [F-23U](#) [F24-250-B](#)  
[F-242U](#) [F-245U](#) [F-264U](#) [F-265U](#) [F-267U](#) [F-281U](#) [F-283U](#) [F-290X](#) [F-295Z](#) [F-296Z](#) [F-298Z](#) [F-3143P](#) [F-3298Z](#) [F-33U](#) [F-346X](#) [F-35U](#) [F-](#)  
[364U](#) [F-392A](#) [F-395X](#) [F-397U](#) [F-412X](#) [F-47U](#) [F-55X-1](#) [F-60U](#) [F-68U](#) [F-71U](#) [F-72Z](#) [F-74U](#) [F-83A](#) [F-84AC](#) [F-85U](#) [F-86U](#) [F-9U](#) [PCT-02](#)