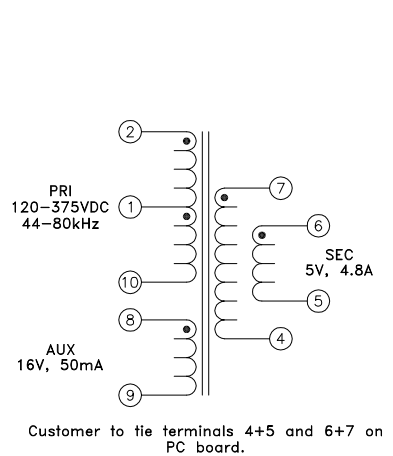
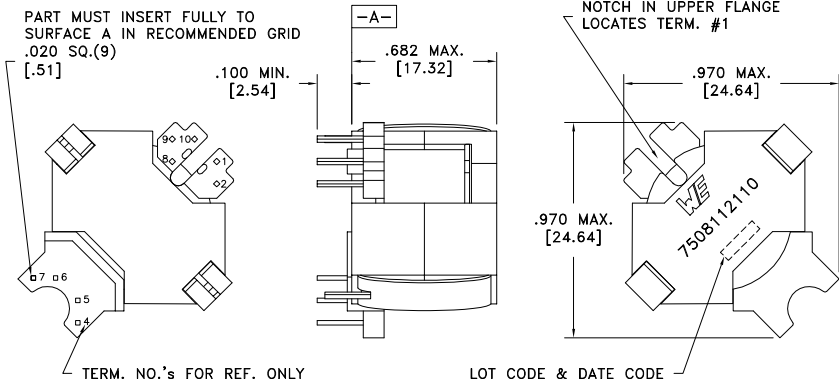
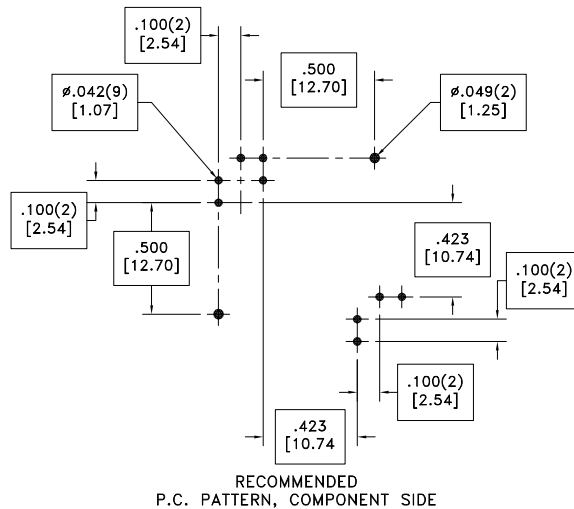


| | | |
|-------------------|------|---------------|
| CUSTOMER TERMINAL | RoHS | LEAD(Pb)-FREE |
| Sn96%, Ag4% | Yes | Yes |



Application of transformer allows for the leadwires between terminals 4&5 and 6&7 to solder bridge.



ELECTRICAL SPECIFICATIONS @ 25°C unless otherwise noted:

| PARAMETER | TEST CONDITIONS | VALUE |
|--------------------|---|--------------------------|
| D.C. RESISTANCE | 2-10 @20°C | 0.544 ohms ±10% |
| D.C. RESISTANCE | 4-7 tie(4+5, 6+7), @20°C | 0.011 ohms max. |
| D.C. RESISTANCE | 8-9 @20°C | 0.089 ohms ±10% |
| INDUCTANCE | 2-10 10kHz, 100mVAC, Ls | 670uH ±10% |
| SATURATION CURRENT | 2-10 20% rolloff from initial | 2.7A |
| LEAKAGE INDUCTANCE | 2-10 tie(4+5+6+7, 8+9), 100kHz, 100mVAC, Ls | 12.6uH typ., 18.9uH max. |
| DIELECTRIC | 2-7 tie(4+5, 6+7), 3900VAC, 1 second | 3900VAC, 1 minute |
| DIELECTRIC | 2-8 625VAC, 1 second | 500VAC, 1 minute |
| URNS RATIO | (2-10):(7-4), tie(4+5, 6+7) | 19:1, ±1% |
| URNS RATIO | (8-9):(7-4), tie(4+5, 6+7) | 2.75:1, ±1% |

GENERAL SPECIFICATIONS:

OPERATING TEMPERATURE RANGE: -40°C to +125°C including temp rise.

Designed to comply with the following requirements as defined by IEC61558-2-16 and EN61558-2-16, Amendment 1:

- Reinforced insulation for a primary circuit at a working voltage of 265Vrms, 400Vpeak (operating frequency of <2MHz).

Wire insulation & RoHS status not affected by wire color.
Wire insulation color may vary depending on availability.

| | | | | | | |
|------|-------|--|--|--|-------------------------------------|-------------------------------|
| REV. | DATE | Packaging Specifications Method: Tray PKG-0027 www.we-online.com/midcom | | Tolerances unless otherwise specified: Angles: ±1° Fractions: ±1/64 Decimals: ±.005 [0.13] Footprint: ±.001 [0.03] | DRAWING TITLE TRANSFORMER | PART NO. 7508112110 |
| 6B | 7/17 | | | This drawing is dual dimensioned. Dimensions in brackets are in millimeters. | eiSos p/n: 7508112110 | |
| 6A | 12/16 | SEE REVISION SHEET FOR REVISION LEVEL | | | | SPECIFICATION SHEET 1 OF 1 |



X-ON Electronics

Largest Supplier of Electrical and Electronic Components

Click to view similar products for [Power Transformers](#) category:

Click to view products by [Würth](#) manufacturer:

Other Similar products are found below :

[ET-030A](#) [F-102X](#) [F-120X](#) [F-14X-1](#) [F-181U](#) [F-18A](#) [F-199U](#) [F-19X](#) [F-202U](#) [F-204U](#) [F-206U](#) [F-227X](#) [F-238U](#) [F-239U-1](#) [F-23U](#) [F24-250-B](#)
[F-242U](#) [F-245U](#) [F-264U](#) [F-265U](#) [F-267U](#) [F-281U](#) [F-283U](#) [F-290X](#) [F-295Z](#) [F-296Z](#) [F-298Z](#) [F-3143P](#) [F-3298Z](#) [F-33U](#) [F-346X](#) [F-35U](#) [F-](#)
[364U](#) [F-392A](#) [F-395X](#) [F-397U](#) [F-412X](#) [F-47U](#) [F-55X-1](#) [F-60U](#) [F-68U](#) [F-71U](#) [F-72Z](#) [F-74U](#) [F-83A](#) [F-84AC](#) [F-85U](#) [F-86U](#) [F-9U](#) [PCT-02](#)