

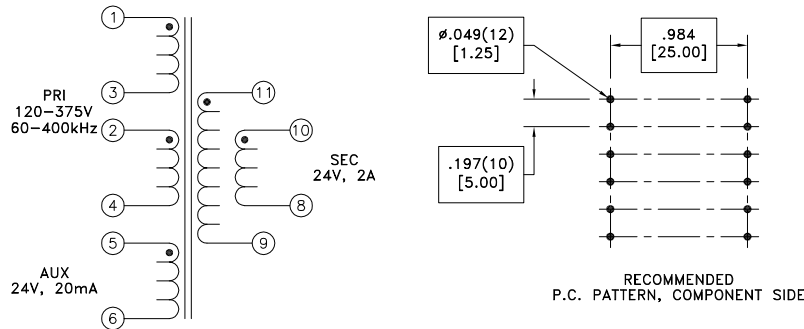
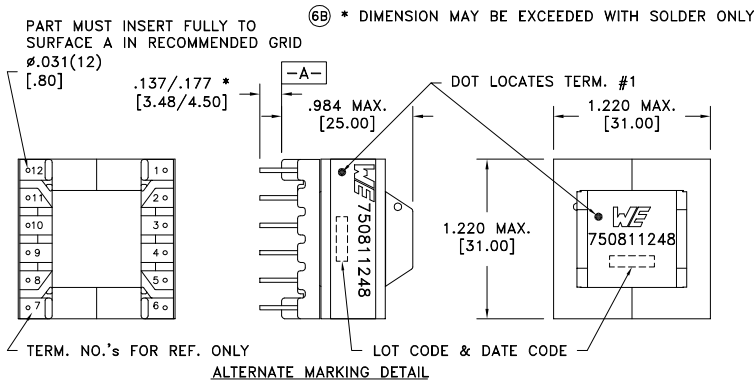
CUSTOMER TERMINAL	RoHS	LEAD(Pb)-FREE
Sn96%, Ag4%	Yes	Yes

more than you expect



ELECTRICAL SPECIFICATIONS @ 25°C unless otherwise noted:

PARAMETER	TEST CONDITIONS	VALUE
D.C. RESISTANCE	1-3 @20°C	0.155 ohms ±10%
D.C. RESISTANCE	2-4 @20°C	0.125 ohms ±10%
D.C. RESISTANCE	5-6 @20°C	0.185 ohms ±10%
D.C. RESISTANCE	8-10 @20°C	0.050 ohms max.
D.C. RESISTANCE	9-11 @20°C	0.050 ohms max.
INDUCTANCE	1-4 tie(2+3), 10kHz, 100mVAC, Ls	300uH ±10%
SATURATION CURRENT	20% rolloff from initial	3.5A
LEAKAGE INDUCTANCE	1-4 tie(2+3, 5+6, 8+9+10+11), 100kHz, 100mVAC, Ls	3.6uH typ., 6.0uH max.
DIELECTRIC	1-11 tie(2+3, 4+5), 4500VAC, 1 second	4500VAC, 1 minute
DIELECTRIC	1-10 tie(2+3, 4+5), 4500VAC, 1 second	4500VAC, 1 minute
DIELECTRIC	1-5 1250VAC, 1 second	1000VAC, 1 minute
TURNS RATIO	(1-4):(11-9), tie(2+3)	4:1, ±1%
TURNS RATIO	(1-4):(10-8), tie(2+3)	4:1, ±1%
TURNS RATIO	(1-4):(5-6), tie(2+3)	4:1, ±1%
TURNS RATIO	(1-3):(2-4)	1:1, ±1%



GENERAL SPECIFICATIONS:

- 6B Designed to comply with the following requirements as defined by IEC61558-2-16:
  - Reinforced insulation for a primary circuit at a working voltage of 400VDC.
- 6B OPERATING TEMPERATURE RANGE: -40°C to +125°C including temp rise.

Wire insulation & RoHS status not affected by wire color.  
Wire insulation color may vary depending on availability.

REV.	DATE	Packaging Specifications Method: Tray PKG-0872 www.we-online.com/midcom		Tolerances unless otherwise specified: Angles: ±1° Fractions: ±1/64 Decimals: ±.005 [ .13 ] Footprint: ±.001 [ .03 ]	DRAWING TITLE <b>TRANSFORMER</b>	PART NO. <b>750811248</b>
6B	9/17			This drawing is dual dimensioned. Dimensions in brackets are in millimeters.	eiSos p/n: 750811248	
6A	12/11	SEE REVISION SHEET FOR REVISION LEVEL				compliant RoHS SPECIFICATION SHEET 1 OF 1

## **X-ON Electronics**

Largest Supplier of Electrical and Electronic Components

*Click to view similar products for [Power Transformers](#) category:*

*Click to view products by [Würth](#) manufacturer:*

Other Similar products are found below :

[ET-030A](#) [F-102X](#) [F-120X](#) [F-14X-1](#) [F-181U](#) [F-18A](#) [F-199U](#) [F-19X](#) [F-202U](#) [F-204U](#) [F-206U](#) [F-227X](#) [F-238U](#) [F-239U-1](#) [F-23U](#) [F24-250-B](#)  
[F-242U](#) [F-245U](#) [F-264U](#) [F-265U](#) [F-267U](#) [F-281U](#) [F-283U](#) [F-290X](#) [F-295Z](#) [F-296Z](#) [F-298Z](#) [F-3143P](#) [F-3298Z](#) [F-33U](#) [F-346X](#) [F-35U](#) [F-](#)  
[364U](#) [F-392A](#) [F-395X](#) [F-397U](#) [F-412X](#) [F-47U](#) [F-55X-1](#) [F-60U](#) [F-68U](#) [F-71U](#) [F-72Z](#) [F-74U](#) [F-83A](#) [F-84AC](#) [F-85U](#) [F-86U](#) [F-9U](#) [PCT-02](#)