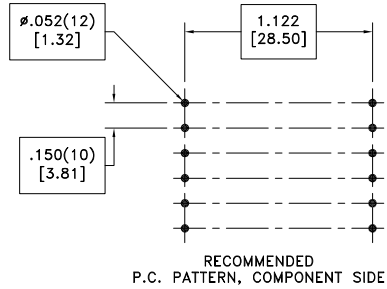
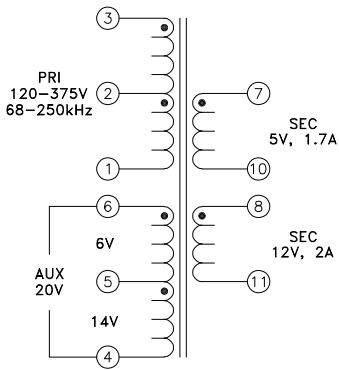
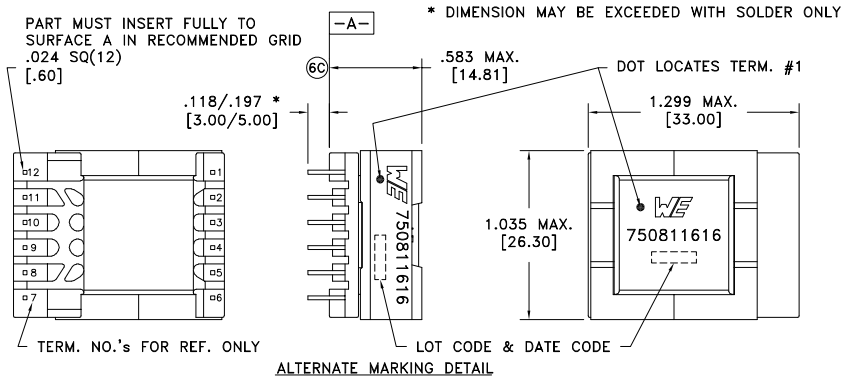


| | | |
|-------------------|------|---------------|
| CUSTOMER TERMINAL | RoHS | LEAD(Pb)-FREE |
| Sn96%, Ag4% | Yes | Yes |



ELECTRICAL SPECIFICATIONS @ 25°C unless otherwise noted:

| PARAMETER | TEST CONDITIONS | VALUE |
|--------------------|--|--------------------------|
| D.C. RESISTANCE | 3-1 @20°C | 0.746 ohms ±10% |
| D.C. RESISTANCE | 6-5 @20°C | 0.180 ohms ±10% |
| D.C. RESISTANCE | 5-4 @20°C | 0.368 ohms ±10% |
| D.C. RESISTANCE | 7-10 @20°C | 0.013 ohms max. |
| D.C. RESISTANCE | 8-11 @20°C | 0.021 ohms ±20% |
| INDUCTANCE | 1-3 10kHz, 100mVAC, Ls | 468uH ±10% |
| SATURATION CURRENT | 20% rolloff from initial | 2.5A |
| LEAKAGE INDUCTANCE | 1-3 tie(4+5+6, 7+8+10+11), 100kHz, 100mVAC, Ls | 6.42uH typ., 9.63uH max. |
| DIELECTRIC | 1-11 tie(3+4, 8+10), 4500VAC, 1 second | 4500VAC, 1 minute |
| DIELECTRIC | 1-5 625VAC, 1 second | 500VAC, 1 minute |
| TURNS RATIO | (3-2):(2-1) | 1:1, ±1% |
| TURNS RATIO | (3-1):(6-5) | 15:1, ±2% |
| TURNS RATIO | (3-1):(5-4) | 7.5:1, ±1% |
| TURNS RATIO | (3-1):(7-10) | 20:1, ±2% |
| TURNS RATIO | (3-1):(8-11) | 8.57:1, ±1% |

GENERAL SPECIFICATIONS:

OPERATING TEMPERATURE RANGE: -40°C to +125°C including temp rise.

Designed to comply with the following requirements as defined by IEC61558-2-16:
 - Reinforced insulation for a primary circuit at a working voltage of 400VDC.

Wire insulation & RoHS status not affected by wire color.
 Wire insulation color may vary depending on availability.

| | | | | | | |
|------|-------|--|--|--|-------------------------------------|---|
| REV. | DATE | Packaging Specifications Method: Tray PKG-0924 www.we-online.com/midcom | | Tolerances unless otherwise specified: Angles: ±1° Fractions: ±1/64 Decimals: ±.005 [.13] Footprint: ±.001 [.03] | DRAWING TITLE TRANSFORMER | PART NO. 750811616 |
| 6C | 7/19 | | | | | |
| 6B | 6/19 | | | | | |
| 6A | 10/13 | SEE REVISION SHEET FOR REVISION LEVEL | | This drawing is dual dimensioned. Dimensions in brackets are in millimeters. | eiSos p/n: 750811616 | compliant RoHS SPECIFICATION SHEET 1 OF 1 |

X-ON Electronics

Largest Supplier of Electrical and Electronic Components

Click to view similar products for [Power Transformers](#) category:

Click to view products by [Würth](#) manufacturer:

Other Similar products are found below :

[ET-030A](#) [F-102X](#) [F-120X](#) [F-14X-1](#) [F-181U](#) [F-18A](#) [F-199U](#) [F-19X](#) [F-202U](#) [F-204U](#) [F-206U](#) [F-227X](#) [F-238U](#) [F-239U-1](#) [F-23U](#) [F24-250-B](#)
[F-242U](#) [F-245U](#) [F-264U](#) [F-265U](#) [F-267U](#) [F-281U](#) [F-283U](#) [F-290X](#) [F-295Z](#) [F-296Z](#) [F-298Z](#) [F-3143P](#) [F-3298Z](#) [F-33U](#) [F-346X](#) [F-35U](#) [F-](#)
[364U](#) [F-392A](#) [F-395X](#) [F-397U](#) [F-412X](#) [F-47U](#) [F-55X-1](#) [F-60U](#) [F-68U](#) [F-71U](#) [F-72Z](#) [F-74U](#) [F-83A](#) [F-84AC](#) [F-85U](#) [F-86U](#) [F-9U](#) [PCT-02](#)