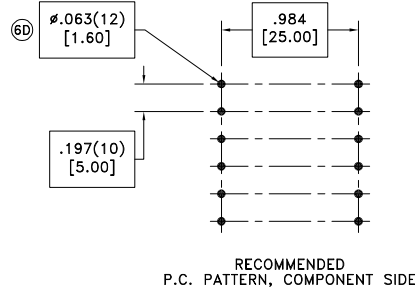
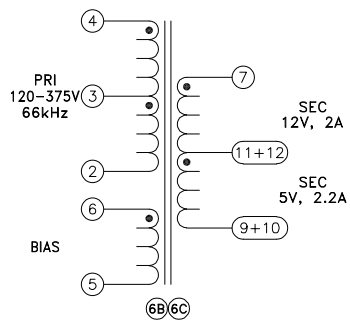
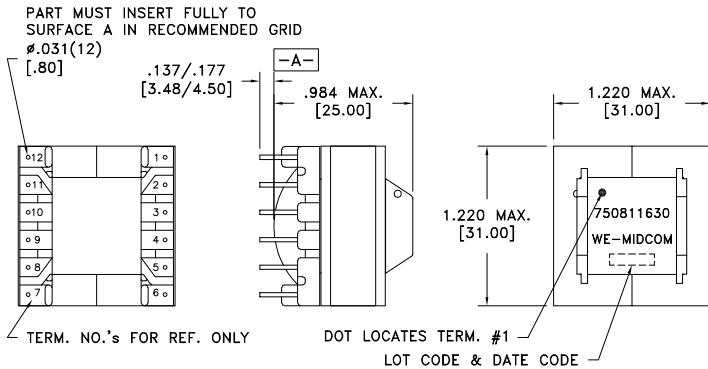


CUSTOMER TERMINAL	RoHS	LEAD(Pb)-FREE
Sn96%, Ag4%	Yes	Yes



ELECTRICAL SPECIFICATIONS @ 25°C unless otherwise noted:

PARAMETER	TEST CONDITIONS	VALUE
D.C. RESISTANCE	2-3 @20°C	0.300 ohms ±20%
D.C. RESISTANCE	3-4 @20°C	0.205 ohms ±20%
D.C. RESISTANCE	5-6 @20°C	0.020 ohms ±20%
D.C. RESISTANCE	7-11 @20°C	0.010 ohms ±20%
D.C. RESISTANCE	9-11 tie(9+10, 11+12), @20°C	0.005 ohms max.
INDUCTANCE	2-4 10kHz, 100mVAC, Ls	1.04mH ±10%
LEAKAGE INDUCTANCE	2-4 tie(5+6, 7+9+10+11+12), 100kHz, 100mVAC, Ls	15uH max.
DIELECTRIC	3-11 4500VAC, 1 second	4500VAC, 1 minute
DIELECTRIC	6-11 4500VAC, 1 second	4500VAC, 1 minute
DIELECTRIC	3-6 625VAC, 1 second	500VAC, 1 minute
TURNS RATIO	(3-2):(4-3)	1:1, ±1%
TURNS RATIO	(4-2):(6-5)	10:1, ±1%
TURNS RATIO	(4-2):(7-11)	17.5:1, ±1%
TURNS RATIO	(4-2):(11-9)	23.33:1, ±1%
TURNS RATIO	(4-2):(12-10)	23.33:1, ±1%



GENERAL SPECIFICATIONS:

OPERATING TEMPERATURE RANGE: -40°C to +125°C including temp rise.

- 6C Designed to comply with the following requirements as defined by IEC61558-2-17:
- 6C - Reinforced insulation for a primary circuit at a working voltage of 250VAC.

REV.	DATE	Packaging Specifications	
6G	2/21	Method: Tray	
6F	1/12	PKG-0872	
6E	11/11	www.we-online.com/midcom	
6D	4/11	SEE REVISION SHEET FOR REVISION LEVEL	

Tolerances unless otherwise specified: Angles: ±1° Fractions: ±1/64	Decimals: ±.005 [0.13] Footprint: ±.001 [0.03]
This drawing is dual dimensioned. Dimensions in brackets are in millimeters.	

DRAWING TITLE	PART NO.
TRANSFORMER	750811630
eiSos p/n: 750811630	compliant RoHS

SPECIFICATION SHEET 1 OF 1

X-ON Electronics

Largest Supplier of Electrical and Electronic Components

Click to view similar products for [Power Transformers](#) category:

Click to view products by [Würth](#) manufacturer:

Other Similar products are found below :

[ET-030A](#) [F-102X](#) [F-120X](#) [F-14X-1](#) [F-181U](#) [F-18A](#) [F-199U](#) [F-19X](#) [F-202U](#) [F-204U](#) [F-206U](#) [F-227X](#) [F-238U](#) [F-239U-1](#) [F-23U](#) [F24-250-B](#)
[F-242U](#) [F-245U](#) [F-264U](#) [F-265U](#) [F-267U](#) [F-281U](#) [F-283U](#) [F-290X](#) [F-295Z](#) [F-296Z](#) [F-298Z](#) [F-3143P](#) [F-3298Z](#) [F-33U](#) [F-346X](#) [F-35U](#) [F-](#)
[364U](#) [F-392A](#) [F-395X](#) [F-397U](#) [F-412X](#) [F-47U](#) [F-55X-1](#) [F-60U](#) [F-68U](#) [F-71U](#) [F-72Z](#) [F-74U](#) [F-83A](#) [F-84AC](#) [F-85U](#) [F-86U](#) [F-9U](#) [PCT-02](#)