

CUSTOMER TERMINAL	RoHS	LEAD(Pb)-FREE
Sn96%, Ag4%	Yes	Yes

more than you expect

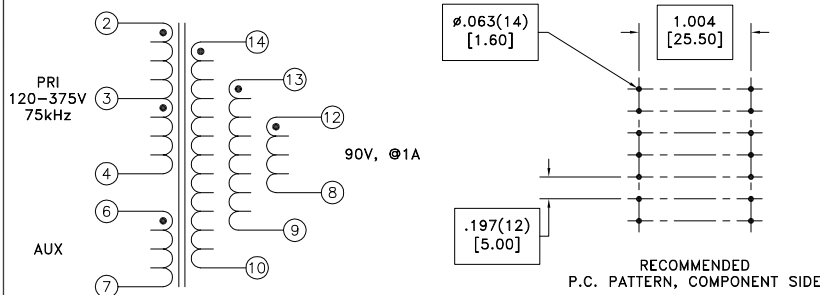
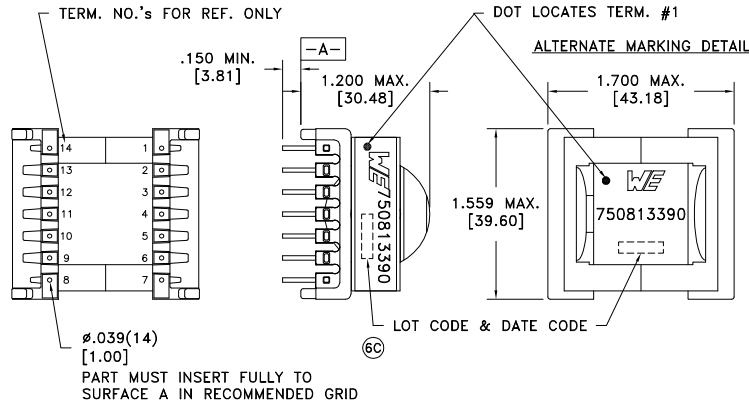


**ELECTRICAL SPECIFICATIONS @ 25°C unless otherwise noted:**

PARAMETER	TEST CONDITIONS	VALUE
D.C. RESISTANCE	2-4 @20°C	0.15 ohms ±20%
D.C. RESISTANCE	6-7 @20°C	0.055 ohms max.
D.C. RESISTANCE	8-12 @20°C	0.668 ohms max.
D.C. RESISTANCE	9-13 @20°C	0.668 ohms max.
D.C. RESISTANCE	10-14 @20°C	0.668 ohms max.
INDUCTANCE	2-4 10kHz, 100mVAC, Ls	100uH ±10%
SATURATION CURRENT	20% rolloff from initial	9A
LEAKAGE INDUCTANCE	2-4 tie(6+7, 8+9+10+12+13+14), 100kHz, 100mVAC, Ls	1.0uH typ., 2.0uH max.
DIELECTRIC	2-14 tie(4+6, 12+13+14), 4500VAC, 1 second	4500VAC, 1 minute
DIELECTRIC	2-6 1250VAC, 1 second	1000VAC, 1 minute
TURNS RATIO	(2-4):(14-10)	1:1, ±1%
TURNS RATIO	(2-4):(13-9)	1:1, ±1%
TURNS RATIO	(2-4):(12-8)	1:1, ±1%
TURNS RATIO	(2-4):(6-7)	4.5:1, ±1%
TURNS RATIO	(2-4):(3-4)	1.08:1, ±1%

**GENERAL SPECIFICATIONS:**

Designed to comply with the following requirements as defined by IEC61558-2-17:  
 - Reinforced insulation for a primary circuit at a working voltage of 400VDC.



Wire insulation & RoHS status not affected by wire color.  
 Wire insulation color may vary depending on availability.

REV.	DATE	Packaging Specifications		Tolerances unless otherwise specified: Angles: ±1°      Decimals: ±.005 [.13] Fractions: ±1/64      Footprint: ±.001 [.03]	DRAWING TITLE <b>TRANSFORMER</b>	PART NO. <b>750813390</b>
6D	10/14	Method: Tray				
6C	8/12	PKG-0904				
6B	4/11	www.we-online.com/midcom				
6A	3/11	SEE REVISION SHEET FOR REVISION LEVEL				

This drawing is dual dimensioned. Dimensions in brackets are in millimeters.



eiSos p/n: 750813390

SPECIFICATION SHEET 1 OF 1

## **X-ON Electronics**

Largest Supplier of Electrical and Electronic Components

*Click to view similar products for [Power Transformers](#) category:*

*Click to view products by [Würth](#) manufacturer:*

Other Similar products are found below :

[ET-030A](#) [F-102X](#) [F-120X](#) [F-14X-1](#) [F-181U](#) [F-18A](#) [F-199U](#) [F-19X](#) [F-202U](#) [F-204U](#) [F-206U](#) [F-227X](#) [F-238U](#) [F-239U-1](#) [F-23U](#) [F24-250-B](#)  
[F-242U](#) [F-245U](#) [F-264U](#) [F-265U](#) [F-267U](#) [F-281U](#) [F-283U](#) [F-290X](#) [F-295Z](#) [F-296Z](#) [F-298Z](#) [F-3143P](#) [F-3298Z](#) [F-33U](#) [F-346X](#) [F-35U](#) [F-](#)  
[364U](#) [F-392A](#) [F-395X](#) [F-397U](#) [F-412X](#) [F-47U](#) [F-55X-1](#) [F-60U](#) [F-68U](#) [F-71U](#) [F-72Z](#) [F-74U](#) [F-83A](#) [F-84AC](#) [F-85U](#) [F-86U](#) [F-9U](#) [PCT-02](#)