

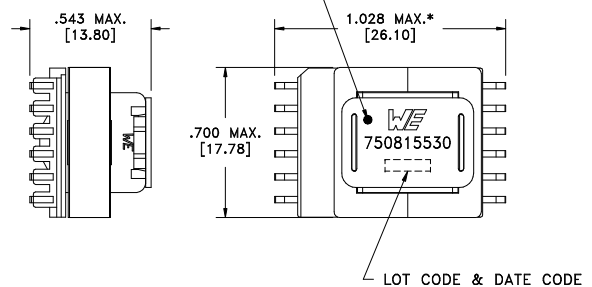
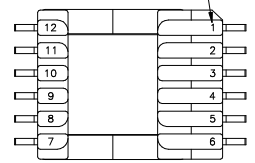
CUSTOMER TERMINAL	RoHS	LEAD(Pb)-FREE
Sn96%, Ag4%	Yes	Yes

more than you expect

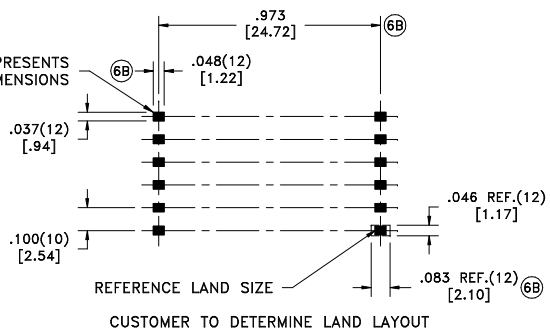
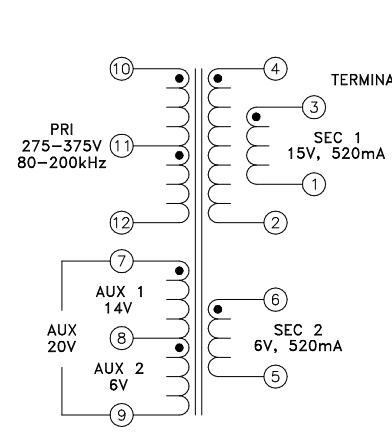


* DIMENSION MAY BE EXCEEDED WITH SOLDER ONLY
DOT LOCATES TERM. #1

TERM. NO.'s FOR REF. ONLY



LOT CODE & DATE CODE



ELECTRICAL SPECIFICATIONS @ 25°C unless otherwise noted:

PARAMETER	TEST CONDITIONS	VALUE
D.C. RESISTANCE	10-12 @20°C	14.70 ohms ±10%
D.C. RESISTANCE	7-8 @20°C	0.700 ohms ±10%
D.C. RESISTANCE	8-9 @20°C	0.334 ohms ±10%
D.C. RESISTANCE	4-1 tie(1+2, 3+4), @20°C	0.072 ohms ±20%
D.C. RESISTANCE	6-5 @20°C	0.037 ohms ±20%
INDUCTANCE	10-12 10kHz, 100mVAC, Ls	8.00mH ±10%
SATURATION CURRENT	20% rolloff from initial	270mA
LEAKAGE INDUCTANCE	10-12 tie(1+2+3+4+5+6, 7+8+9), 100kHz, 100mVAC, Ls	72uH typ., 125uH max.
DIELECTRIC	1-12 tie(3+4+5, 9+10), 3750VAC, 1 second	3000VAC, 1 minute
DIELECTRIC	7-12 625VAC, 1 second	500VAC, 1 minute
URNS RATIO	(10-11):(11-12)	1:1, ±1%
URNS RATIO	(10-12):(7-8)	22.15:1, ±1%
URNS RATIO	(10-12):(8-9)	48:1, ±1%
URNS RATIO	(10-12):(4-2)	20.57:1, ±1%
URNS RATIO	(10-12):(6-5)	48:1, ±1%

GENERAL SPECIFICATIONS:

OPERATING TEMPERATURE RANGE: -40°C to +125°C including temp rise.

Designed to comply with the following requirements as defined by IEC60950-1, EN60950-1, UL60950-1/CSA60950-1 and AS/NZS60950.1:

- Reinforced insulation for a primary circuit at a working voltage of 400VDC.

Wire insulation & RoHS status not affected by wire color.
Wire insulation color may vary depending on availability.

REV.	DATE	Packaging Specifications Method: Tape & Reel PKG-0799 www.we-online.com/midcom		Tolerances unless otherwise specified: Angles: ±1° Decimals: ±.005 [.13] Fractions: ±1/64 Footprint: ±.005 [.13]	DRAWING TITLE TRANSFORMER	PART NO. 750815530
6B	1/12		CONVENTION PLACEMENT	This drawing is dual dimensioned. Dimensions in brackets are in millimeters.	eiSos p/n: 750815530	SPECIFICATION SHEET 1 OF 1
6A	4/11	SEE REVISION SHEET FOR REVISION LEVEL	REVISION LEVEL			



X-ON Electronics

Largest Supplier of Electrical and Electronic Components

Click to view similar products for [Power Transformers](#) category:

Click to view products by [Würth](#) manufacturer:

Other Similar products are found below :

[ET-030A](#) [F-102X](#) [F-120X](#) [F-14X-1](#) [F-181U](#) [F-18A](#) [F-199U](#) [F-19X](#) [F-202U](#) [F-204U](#) [F-206U](#) [F-227X](#) [F-238U](#) [F-239U-1](#) [F-23U](#) [F24-250-B](#)
[F-242U](#) [F-245U](#) [F-264U](#) [F-265U](#) [F-267U](#) [F-281U](#) [F-283U](#) [F-290X](#) [F-295Z](#) [F-296Z](#) [F-298Z](#) [F-3143P](#) [F-3298Z](#) [F-33U](#) [F-346X](#) [F-35U](#) [F-](#)
[364U](#) [F-392A](#) [F-395X](#) [F-397U](#) [F-412X](#) [F-47U](#) [F-55X-1](#) [F-60U](#) [F-68U](#) [F-71U](#) [F-72Z](#) [F-74U](#) [F-83A](#) [F-84AC](#) [F-85U](#) [F-86U](#) [F-9U](#) [PCT-02](#)