

CUSTOMER TERMINAL	RoHS	LEAD(Pb)-FREE
Sn100%	Yes	Yes

more than you expect

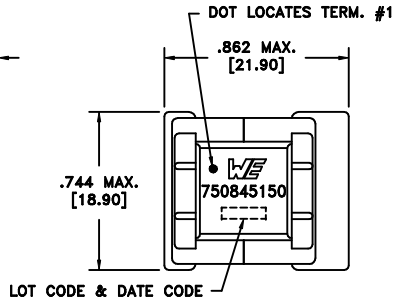
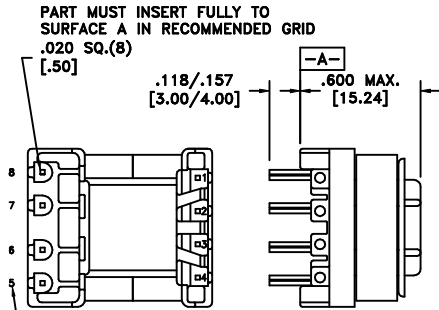


**ELECTRICAL SPECIFICATIONS @ 25°C unless otherwise noted:**

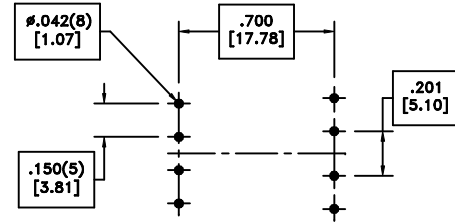
PARAMETER	TEST CONDITIONS	VALUE
D.C. RESISTANCE	2-3 @20°C	0.99 ohms max.
D.C. RESISTANCE	4-1 @20°C	8.7 ohms max.
D.C. RESISTANCE	6-7 @20°C	0.18 ohms max.
INDUCTANCE	4-1 100kHz, 100mVAC, Ls	2.70mH ±10%
LEAKAGE INDUCTANCE	4-1 tie(3+2, 7+6), 100kHz, 100mVAC, Ls	30uH max.
DIELECTRIC	1-7 tie(1+2), 3750VAC, 1 second	3000VAC, 1 minute
DIELECTRIC	1-2 1875VAC, 1 second	1500VAC, 1 minute
TURNS RATIO	(4-1):(3-2)	11.4:1, ±2%
TURNS RATIO	(4-1):(7-6)	7.6:1, ±2%

**GENERAL SPECIFICATIONS:**

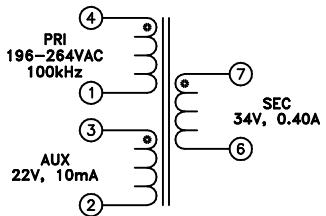
OPERATING TEMPERATURE RANGE: -40°C to +125°C including temp rise.



TERM. NO.'s FOR REF. ONLY



RECOMMENDED P.C. PATTERN, COMPONENT SIDE



Wire insulation & RoHS status not affected by wire color.  
Wire insulation color may vary depending on availability.

REV.	DATE	Packaging Specifications Method: Tray PKG-0735 www.we-online.com/midcom		Tolerances unless otherwise specified: Angles: ±1°      Decimals: ±.005 [1.3] Fractions: ±1/64      Footprint: ±.001 [0.3]	DRAWING TITLE TRANSFORMER	PART NO. 750845150
6A	4/12	SEE REVISION SHEET FOR REVISION LEVEL	CONVENTION PLACEMENT	This drawing is dual dimensioned. Dimensions in brackets are in millimeters.	eiSos p/n: 750845150	compliant RoHS SPECIFICATION SHEET 1 OF 1

## **X-ON Electronics**

Largest Supplier of Electrical and Electronic Components

*Click to view similar products for [Power Transformers](#) category:*

*Click to view products by [Würth](#) manufacturer:*

Other Similar products are found below :

[ET-030A](#) [F-102X](#) [F-120X](#) [F-14X-1](#) [F-181U](#) [F-18A](#) [F-199U](#) [F-19X](#) [F-202U](#) [F-204U](#) [F-206U](#) [F-227X](#) [F-238U](#) [F-239U-1](#) [F-23U](#) [F24-250-B](#)  
[F-242U](#) [F-245U](#) [F-264U](#) [F-265U](#) [F-267U](#) [F-281U](#) [F-283U](#) [F-290X](#) [F-295Z](#) [F-296Z](#) [F-298Z](#) [F-3143P](#) [F-3298Z](#) [F-33U](#) [F-346X](#) [F-35U](#) [F-](#)  
[364U](#) [F-392A](#) [F-395X](#) [F-397U](#) [F-412X](#) [F-47U](#) [F-55X-1](#) [F-60U](#) [F-68U](#) [F-71U](#) [F-72Z](#) [F-74U](#) [F-83A](#) [F-84AC](#) [F-85U](#) [F-86U](#) [F-9U](#) [PCT-02](#)