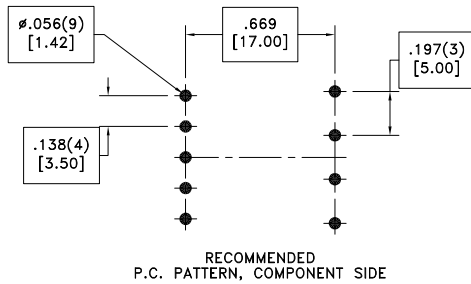
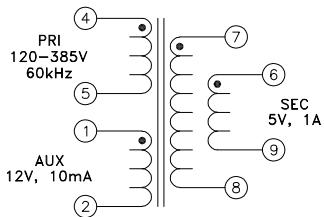
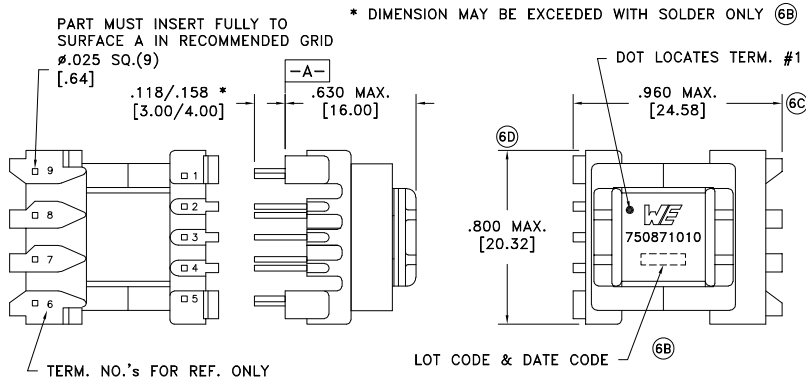


CUSTOMER TERMINAL	RoHS	LEAD(Pb)-FREE
Sn96%, Ag4%	Yes	Yes



ELECTRICAL SPECIFICATIONS @ 25°C unless otherwise noted:

PARAMETER	TEST CONDITIONS	VALUE
D.C. RESISTANCE	1-2 @20°C	1.05 ohms max.
D.C. RESISTANCE	4-5 @20°C	6.00 ohms max.
D.C. RESISTANCE	6-9 @20°C	0.052 ohms max.
D.C. RESISTANCE	7-8 @20°C	0.066 ohms max.
INDUCTANCE	4-5 10kHz, 100mVAC, Ls	3.30mH ±10%
LEAKAGE INDUCTANCE	4-5 tie(1+2, 6+7+8+9), 100kHz, 100mVAC, Ls	40uH max.
DIELECTRIC	4-6 tie(1+5, 6+7), 5000VAC, 1 second	4000VAC, 1 minute
DIELECTRIC	1-4 1875VAC, 1 second	1500VAC, 1 minute
URNS RATIO	(4-5):(6-9)	14.36:1, ±1%
URNS RATIO	(4-5):(7-8)	14.36:1, ±1%
URNS RATIO	(4-5):(1-2)	6.32:1, ±1%

GENERAL SPECIFICATIONS:

OPERATING TEMPERATURE RANGE: -40°C to +125°C.

(6B) Wire insulation & RoHS status not affected by wire color.  
 Wire insulation color may vary depending on availability.

REV.	DATE	Packaging Specifications		Tolerances unless otherwise specified: Method: $\pm 1^*$ Decimals: $\pm .005$ [.13] Fractions: $\pm 1/64$ Footprint: $\pm .005$ [.13]	DRAWING TITLE	PART NO.	
6D	3/20	Method: Tray			<b>TRANSFORMER</b>	750871010	
6C	4/17	PKG-0735			This drawing is dual dimensioned. Dimensions in brackets are in millimeters.	eiSos p/n: 750871010	
6B	6/16	www.we-online.com/midcom					
6A	10/08	SEE REVISION SHEET FOR REVISION LEVEL					

## **X-ON Electronics**

Largest Supplier of Electrical and Electronic Components

*Click to view similar products for [Power Transformers](#) category:*

*Click to view products by [Würth](#) manufacturer:*

Other Similar products are found below :

[ET-030A](#) [F-102X](#) [F-120X](#) [F-14X-1](#) [F-181U](#) [F-18A](#) [F-199U](#) [F-19X](#) [F-202U](#) [F-204U](#) [F-206U](#) [F-227X](#) [F-238U](#) [F-239U-1](#) [F-23U](#) [F24-250-B](#)  
[F-242U](#) [F-245U](#) [F-264U](#) [F-265U](#) [F-267U](#) [F-281U](#) [F-283U](#) [F-290X](#) [F-295Z](#) [F-296Z](#) [F-298Z](#) [F-3143P](#) [F-3298Z](#) [F-33U](#) [F-346X](#) [F-35U](#) [F-](#)  
[364U](#) [F-392A](#) [F-395X](#) [F-397U](#) [F-412X](#) [F-47U](#) [F-55X-1](#) [F-60U](#) [F-68U](#) [F-71U](#) [F-72Z](#) [F-74U](#) [F-83A](#) [F-84AC](#) [F-85U](#) [F-86U](#) [F-9U](#) [PCT-02](#)