

CUSTOMER TERMINAL	RoHS	LEAD(Pb)-FREE
Sn96%, Ag4%	Yes	Yes

more than you expect

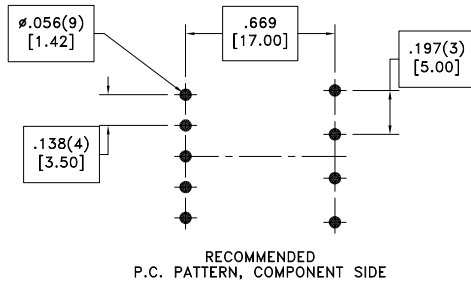
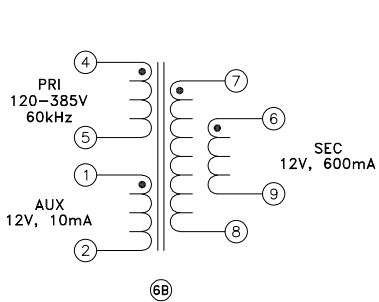
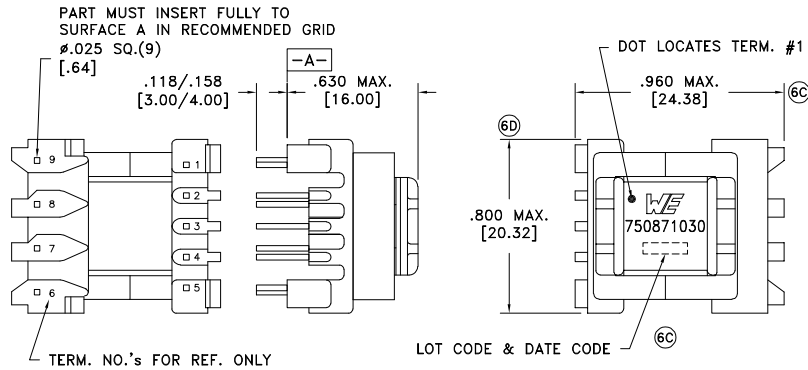


ELECTRICAL SPECIFICATIONS @ 25°C unless otherwise noted:

PARAMETER	TEST CONDITIONS	VALUE
D.C. RESISTANCE	1-2 @20°C	1.00 ohms max.
D.C. RESISTANCE	4-5 @20°C	8.45 ohms max.
D.C. RESISTANCE	6-9 @20°C	0.160 ohms max.
D.C. RESISTANCE	7-8 @20°C	0.21 ohms max.
INDUCTANCE	4-5 10kHz, 100mVAC, Ls	2.38mH ±10%
LEAKAGE INDUCTANCE	4-5 tie(1+2, 6+7+8+9), 100kHz, 100mVAC, Ls	50uH max.
DIELECTRIC	4-6 tie(1+5, 6+7), 5000VAC, 1 second	4000VAC, 1 minute
DIELECTRIC	1-4 1875VAC, 1 second	1500VAC, 1 minute
URNS RATIO	(4-5):(6-9)	9.555:1, ±1%
URNS RATIO	(4-5):(7-8)	9.555:1, ±1%
URNS RATIO	(4-5):(1-2)	9.555:1, ±1%

GENERAL SPECIFICATIONS:

OPERATING TEMPERATURE RANGE: -40°C to +125°C.



6C Wire insulation & RoHS status not affected by wire color.
Wire insulation color may vary depending on availability.

REV.	DATE	Packaging Specifications	CONVENTION PLACEMENT
6E	11/21	Method: Tray	
6D	10/19	PKG-0735	
6C	7/17	www.we-online.com/midcom	
6B	1/09	SEE REVISION SHEET FOR REVISION LEVEL	

Tolerances unless otherwise specified:
 Angles: ±1° Decimals: ±.005 [.13]
 Fractions: ±1/64 Footprint: ±.005 [.13]
 This drawing is dual dimensioned. Dimensions in brackets are in millimeters.

DRAWING TITLE
TRANSFORMER
 eiSos p/n: 750871030

PART NO.
750871030
 SPECIFICATION SHEET 1 OF 1



X-ON Electronics

Largest Supplier of Electrical and Electronic Components

Click to view similar products for [Power Transformers](#) category:

Click to view products by [Würth](#) manufacturer:

Other Similar products are found below :

[ET-030A](#) [F-102X](#) [F-120X](#) [F-14X-1](#) [F-181U](#) [F-18A](#) [F-199U](#) [F-19X](#) [F-202U](#) [F-204U](#) [F-206U](#) [F-227X](#) [F-238U](#) [F-239U-1](#) [F-23U](#) [F24-250-B](#)
[F-242U](#) [F-245U](#) [F-264U](#) [F-265U](#) [F-267U](#) [F-281U](#) [F-283U](#) [F-290X](#) [F-295Z](#) [F-296Z](#) [F-298Z](#) [F-3143P](#) [F-3298Z](#) [F-33U](#) [F-346X](#) [F-35U](#) [F-](#)
[364U](#) [F-392A](#) [F-395X](#) [F-397U](#) [F-412X](#) [F-47U](#) [F-55X-1](#) [F-60U](#) [F-68U](#) [F-71U](#) [F-72Z](#) [F-74U](#) [F-83A](#) [F-84AC](#) [F-85U](#) [F-86U](#) [F-9U](#) [PCT-02](#)