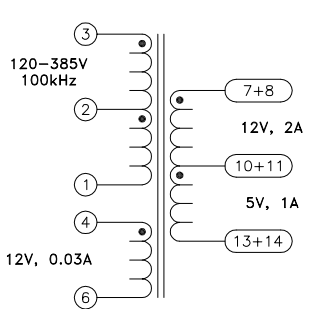
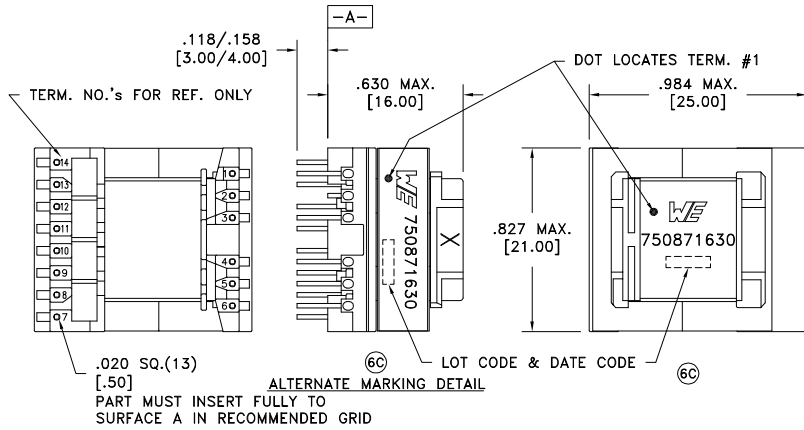
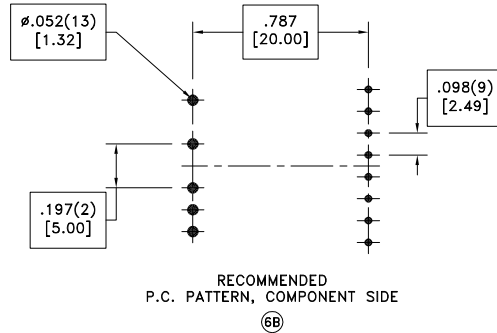


CUSTOMER TERMINAL	RoHS	LEAD(Pb)-FREE
Sn96%, Ag4%	Yes	Yes

more than you expect



Application of the transformer allows for the leadwires between terminals 7&8, 10&11, 13&14 to solder bridge.



ELECTRICAL SPECIFICATIONS @ 25°C unless otherwise noted:

PARAMETER	TEST CONDITIONS	VALUE
D.C. RESISTANCE	1-3 @20°C	1.30 ohms max.
D.C. RESISTANCE	4-6 @20°C	1.50 ohms max.
D.C. RESISTANCE	7-14 tie(7+8, 13+14), @20°C	0.036 ohms max.
D.C. RESISTANCE	10-14 tie(10+11, 13+14), @20°C	0.020 ohms max.
INDUCTANCE	1-3 10kHz, 100mVAC, Ls	500uH ±10%
LEAKAGE INDUCTANCE	1-3 tie(4+6+7+8+10+11+13+14), 10kHz, 100mVAC, Ls	25uH max.
DIELECTRIC	1-7 tie(3+4, 7+8), 4800VAC, 1 second	4000VAC, 1 minute
DIELECTRIC	1-6 1800VAC, 1 second	1500VAC, 1 minute
URNS RATIO	(3-1):(4-6)	7.18:1, ±2%
URNS RATIO	(3-1):(7-13), tie(7+8, 13+14)	7.18:1, ±2%
URNS RATIO	(3-1):(10-13), tie(10+11, 13+14)	15.8:1, ±2%

REV.	DATE	Packaging Specifications	CONVENTION PLACEMENT
6C	10/13	Method: Tray PKG-0736 www.we-online.com/midcom	
6B	12/10		
6A	2/10	SEE REVISION SHEET FOR	REVISION LEVEL

Tolerances unless otherwise specified:
 Angles: ±1°
 Fractions: ±1/64
 Decimals: ±.005 [.13]
 Footprint: ±.001 [.03]

This drawing is dual dimensioned. Dimensions in brackets are in millimeters.

DRAWING TITLE
TRANSFORMER

eiSos p/n: 750871630

PART NO.
750871630

SPECIFICATION SHEET 1 OF 1

X-ON Electronics

Largest Supplier of Electrical and Electronic Components

Click to view similar products for [Power Transformers](#) category:

Click to view products by [Würth](#) manufacturer:

Other Similar products are found below :

[ET-030A](#) [F-102X](#) [F-120X](#) [F-14X-1](#) [F-181U](#) [F-18A](#) [F-199U](#) [F-19X](#) [F-202U](#) [F-204U](#) [F-206U](#) [F-227X](#) [F-238U](#) [F-239U-1](#) [F-23U](#) [F24-250-B](#)
[F-242U](#) [F-245U](#) [F-264U](#) [F-265U](#) [F-267U](#) [F-281U](#) [F-283U](#) [F-290X](#) [F-295Z](#) [F-296Z](#) [F-298Z](#) [F-3143P](#) [F-3298Z](#) [F-33U](#) [F-346X](#) [F-35U](#) [F-](#)
[364U](#) [F-392A](#) [F-395X](#) [F-397U](#) [F-412X](#) [F-47U](#) [F-55X-1](#) [F-60U](#) [F-68U](#) [F-71U](#) [F-72Z](#) [F-74U](#) [F-83A](#) [F-84AC](#) [F-85U](#) [F-86U](#) [F-9U](#) [PCT-02](#)