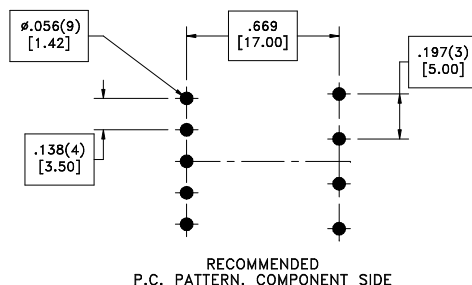
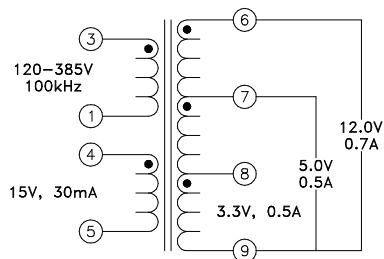
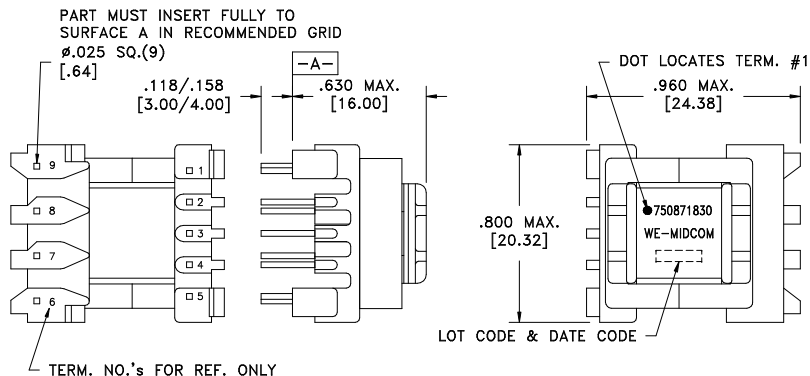


CUSTOMER TERMINAL	RoHS	LEAD(Pb)-FREE
Sn96%, Ag4%	Yes	Yes

more than you expect



ELECTRICAL SPECIFICATIONS @ 25°C unless otherwise noted:

PARAMETER	TEST CONDITIONS	VALUE
D.C. RESISTANCE	3-1 @20°C	4.02 ohms max.
D.C. RESISTANCE	8-9 @20°C	0.013 ohms max.
D.C. RESISTANCE	6-7 @20°C	0.047 ohms max.
D.C. RESISTANCE	7-8 @20°C	0.018 ohms max.
D.C. RESISTANCE	4-5 @20°C	0.770 ohms max.
INDUCTANCE	3-1 10kHz, 100mVAC, Ls	900.0uH ±10%
SATURATION CURRENT	20% rolloff from initial	925mA
LEAKAGE INDUCTANCE	3-1 tie(4+5, 6+7+8+9), 10kHz, 100mVAC, Ls	23.0uH typ., 29.0uH max.
DIELECTRIC	1-9 tie(3+4), 4500VAC, 1 second	-
DIELECTRIC	1-5 1500VAC, 1 second	-
URNS RATIO	(3-1):(4-5)	6.62:1, ±1%
URNS RATIO	(4-5):(6-7)	2:1, ±1%
URNS RATIO	(4-5):(7-8)	8:1, ±1%
URNS RATIO	(4-5):(8-9)	4:1, ±1%

GENERAL SPECIFICATIONS:

OPERATING TEMPERATURE RANGE: -40°C to +125°C including temp rise.

Designed to comply with the following requirements as defined by IEC61558-2-17:  
 - Reinforced insulation for a primary circuit at a working voltage of 400VDC.

REV.	DATE	Packaging Specifications Method: Tray PKG-0058 www.midcom-inc.com		Tolerances unless otherwise specified: Angles: ±1°      Decimals: ±.005 [.13] Fractions: ±1/64      Footprint: ±.001 [.03]	DRAWING TITLE <b>TRANSFORMER</b>	PART NO. <b>750871830</b>
6B	5/10		CONVENTION PLACEMENT	This drawing is dual dimensioned. Dimensions in brackets are in millimeters.	eiSos p/n: 750871830	SPECIFICATION SHEET 1 OF 1
6A	2/10	SEE REVISION SHEET FOR REVISION LEVEL				



## **X-ON Electronics**

Largest Supplier of Electrical and Electronic Components

*Click to view similar products for [Power Transformers](#) category:*

*Click to view products by [Würth](#) manufacturer:*

Other Similar products are found below :

[ET-030A](#) [F-102X](#) [F-120X](#) [F-14X-1](#) [F-181U](#) [F-18A](#) [F-199U](#) [F-19X](#) [F-202U](#) [F-204U](#) [F-206U](#) [F-227X](#) [F-238U](#) [F-239U-1](#) [F-23U](#) [F24-250-B](#)  
[F-242U](#) [F-245U](#) [F-264U](#) [F-265U](#) [F-267U](#) [F-281U](#) [F-283U](#) [F-290X](#) [F-295Z](#) [F-296Z](#) [F-298Z](#) [F-3143P](#) [F-3298Z](#) [F-33U](#) [F-346X](#) [F-35U](#) [F-](#)  
[364U](#) [F-392A](#) [F-395X](#) [F-397U](#) [F-412X](#) [F-47U](#) [F-55X-1](#) [F-60U](#) [F-68U](#) [F-71U](#) [F-72Z](#) [F-74U](#) [F-83A](#) [F-84AC](#) [F-85U](#) [F-86U](#) [F-9U](#) [PCT-02](#)