

Spezifikation für Freigabe / specification for release

Kunde / customer :
 Artikelnummer / part number :

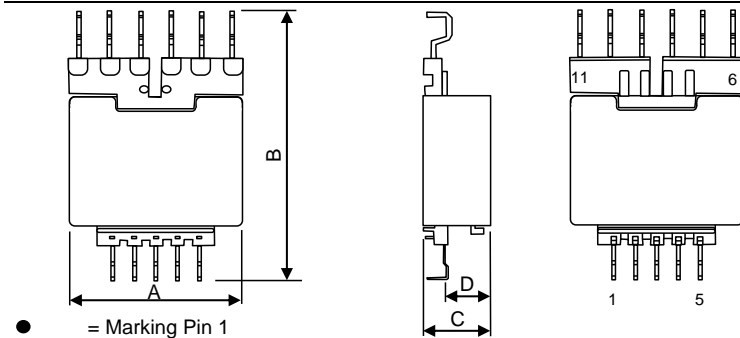
760871333



Bezeichnung : **Netzteil-Übertrager WE-SLIM**
 description : **Offline transformer WE-SLIM**

DATUM / DATE : 2011-05-31

A Mechanische Abmessungen / dimensions :

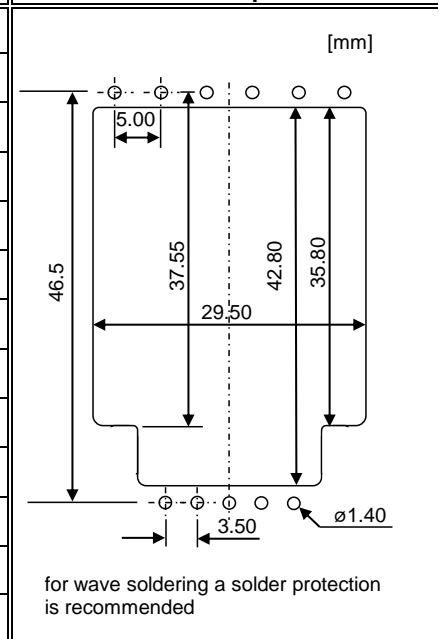


	LEP28/11.2	
A	29.40 max.	mm
B	47.50 max.	mm
C	12.00 max.	mm
D	8.00 max.	mm

B Elektrische Eigenschaften / electrical properties :

Eigenschaften / properties	Testbedingungen / test conditions		Wert / value	Einheit / unit	tol.
Induktivität N2+N5 / inductance N2+N5	50 kHz / 0,1 V	L_{N2+N5}	250.0	μH	$\pm 5\%$
Windungszahlverhältnis / turns ratio	N2+N5:N1:N4:N6	n	6.25:1:1:1:1.25		$\pm 3\%$
DC-Widerstand N1 / DC-resistance N1	@ 20°C	R_{DC1}	34.0	$\text{m}\Omega$	max.
DC-Widerstand N2 / DC-resistance N2	@ 20°C	R_{DC2}	300.0	$\text{m}\Omega$	max.
DC-Widerstand N3 / DC-resistance N3	@ 20°C	R_{DC3}	117.0	$\text{m}\Omega$	max.
DC-Widerstand N4 / DC-resistance N4	@ 20°C	R_{DC4}	41.0	$\text{m}\Omega$	max.
DC-Widerstand N5 / DC-resistance N5	@ 20°C	R_{DC5}	350.0	$\text{m}\Omega$	max.
DC-Widerstand N6 / DC-resistance N6	@ 20°C	R_{DC6}	50.0	$\text{m}\Omega$	max.
Sättigungsstrom N2+N5 / Saturation current N2+N5	dL/L=20%	I_{sat}	3.75	A	typ.
Streuinduktivität N2+N5 / leakage inductance N2+N5	50 kHz / 0,1V rest shorted	L_s	7.0	μH	max.
Prüfspannung / Insulation test voltage	3mA, 1s N2,N3,N5 => N1,N4,N6	U_T	4.0	kV	
Prüfspannung / Insulation test voltage	3mA, 1s N2,N5=>N3; all windings =>core	U_T	1.5	kV	

C Bohrbild / hole pattern :



D Prüfgeräte / test equipment :

AT3600 für / for L , L_s , R , n und / and U_T

Wayne Kerr 3260B für / for I_{sat}

F Werkstoffe & Zulassungen / material & approvals :

Basismaterial / base material: Ferrit/ ferrite
 Spulenkörper / Bobbin: UL-V0
 Draht / wire: 2UEW-F 155°C / TIW
 Kontaktmaterial / contact plating: Cu-Ni-Sn
 Tränklack / Varnish: Dolph BC346-A or equiv.

E Testbedingungen / test conditions :

Luftfeuchtigkeit / humidity: 33%
 Umgebungstemperatur / temperature: +20°C

G Eigenschaften / general specifications :

Betriebstemp. / operating temperature: -40°C - + 125°C
 Umgebungstemp. / ambient temperature: -40°C - + 75°C
 It is recommended that the temperature of the part does not exceed 125°C under worst case operating conditions.
 Schaltfrequenz / Switching frequency: 130 kHz
 ⚠ Bauteil für Netzanwendung / Off-line transformer

Freigabe erteilt / general release:		Kunde / customer	
.....		
Datum / date		Unterschrift / signature	
.....		
		Würth Elektronik	
.....		
Geprüft / checked		Kontrolliert / approved	
.....		
		TBr	Revision 01 2011-05-31
		TBr	Revision 00 2011-01-26
		Name	Änderung / modification Datum / date

Würth Elektronik eiSos GmbH & Co.KG

D-74638 Waldenburg · Max-Eyth-Straße 1 · 3 · Germany · Telefon (+49) (0) 7942 - 945 - 0 · Telefax (+49) (0) 7942 - 945 - 400
<http://www.we-online.com>

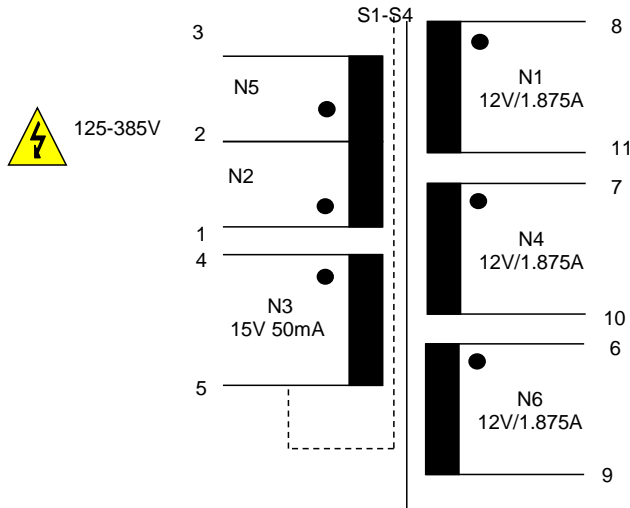
Spezifikation für Freigabe / specification for release

Kunde / customer :
 Artikelnummer / part number : **760871333**
 Bezeichnung : **Netzteil-Übertrager WE-SLIM**
 description : **Offline transformer WE-SLIM**



DATUM / DATE : 2011-05-31

H Schaltbild / Schematics



Designed to comply with the following requirement of EN/IEC61558-2-16:
 Reinforced insulation for a working voltage of 250Vrms

Freigabe erteilt / general release:	Kunde / customer			
Datum / date	Unterschrift / signature			
	Würth Elektronik			
Geprüft / checked	Kontrolliert / approved	TBr	Revision 01	2011-05-31
		TBr	Revision 00	2011-01-26
		Name	Änderung / modification	Datum / date

This electronic component has been designed and developed for usage in general electronic equipment. Before incorporating this component into any equipment where higher safety and reliability is especially required or if there is the possibility of direct damage or injury to human body, for example in the range of aerospace, aviation, nuclear control, submarine, transportation, (automotive control, train control, ship control), transportation signal, disaster prevention, medical, public information network etc, Würth Elektronik eiSos GmbH must be informed before the design-in stage. In addition, sufficient reliability evaluation checks for safety must be performed on every electronic component which is used in electrical circuits that require high safety and reliability functions or performance.

Würth Elektronik eiSos GmbH & Co.KG

D-74638 Waldenburg · Max-Eyth-Straße 1 - 3 · Germany · Telefon (+49) (0) 7942 - 945 - 0 · Telefax (+49) (0) 7942 - 945 - 400
<http://www.we-online.com>

X-ON Electronics

Largest Supplier of Electrical and Electronic Components

Click to view similar products for [Power Transformers](#) category:

Click to view products by [Würth](#) manufacturer:

Other Similar products are found below :

[ET-030A](#) [F-102X](#) [F-120X](#) [F-14X-1](#) [F-181U](#) [F-18A](#) [F-199U](#) [F-19X](#) [F-202U](#) [F-204U](#) [F-206U](#) [F-227X](#) [F-238U](#) [F-239U-1](#) [F-23U](#) [F24-250-B](#)
[F-242U](#) [F-245U](#) [F-264U](#) [F-265U](#) [F-267U](#) [F-281U](#) [F-283U](#) [F-290X](#) [F-295Z](#) [F-296Z](#) [F-298Z](#) [F-3143P](#) [F-3298Z](#) [F-33U](#) [F-346X](#) [F-35U](#) [F-](#)
[364U](#) [F-392A](#) [F-395X](#) [F-397U](#) [F-412X](#) [F-47U](#) [F-55X-1](#) [F-60U](#) [F-68U](#) [F-71U](#) [F-72Z](#) [F-74U](#) [F-83A](#) [F-84AC](#) [F-85U](#) [F-86U](#) [F-9U](#) [PCT-02](#)