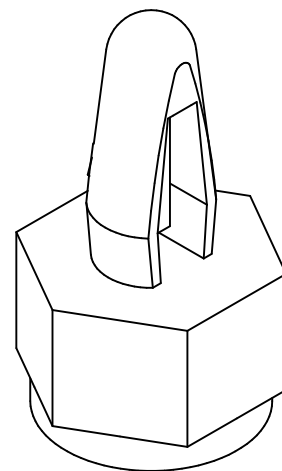
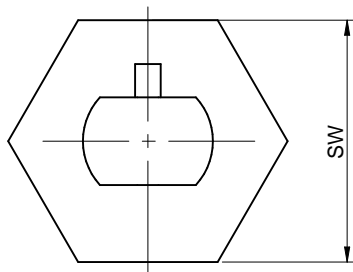
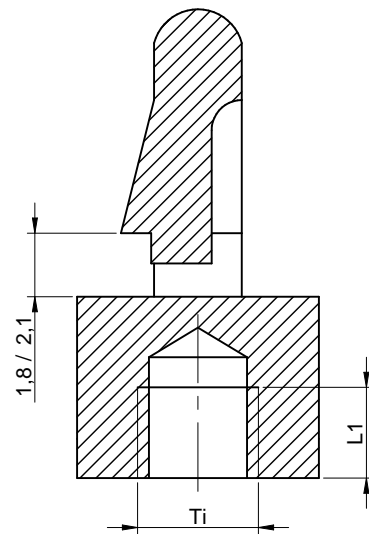
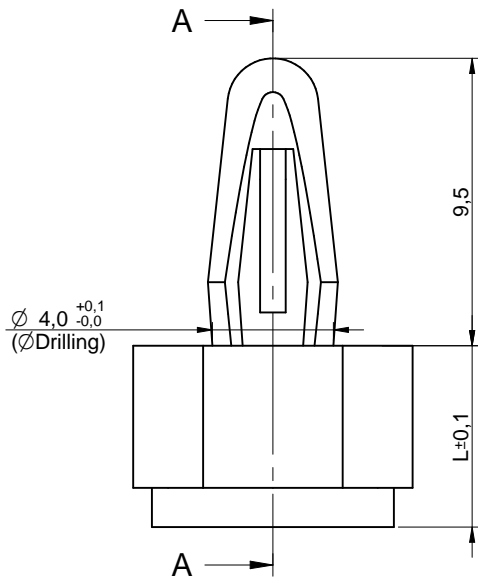


Order Code	L (mm)	L <sub>1</sub> (mm)	Thread Size	SW
973060365	6	3.0	M 3.0	SW 6
973070365	7	3.0	M 3.0	SW 6
973080365	8	4.0	M 3.0	SW 6
973090365	9	4.5	M 3.0	SW 6
973100365	10	5.0	M 3.0	SW 6
973110365	11	5.5	M 3.0	SW 6
973120365	12	6.0	M 3.0	SW 6
973130365	13	6.5	M 3.0	SW 6
973140365	14	7.0	M 3.0	SW 6
973150365	15	7.5	M 3.0	SW 6
973160365	16	8.0	M 3.0	SW 6
973170365	17	8.5	M 3.0	SW 6
973180365	18	9.0	M 3.0	SW 6
973190365	19	9.5	M 3.0	SW 6
973200365	20	10.0	M 3.0	SW 6
973500365	50	10.0	M 3.0	SW 6



Würth Elektronik eiSos GmbH & Co. KG  
EMC & Inductive Solutions


Max-Eyth-Str. 1  
74638 Waldenburg  
Germany  
Tel. +49 79 42 945 - 0

www.we-online.com  
eiSos@we-online.com



CREATED  
D. Fandrey

CHECKED  
S. Klingler

PROJECTION METHOD  SCALE 4 : 1

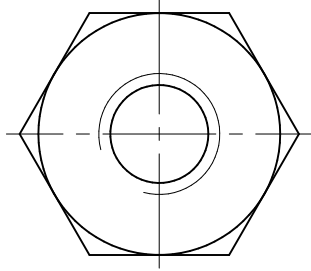
DESCRIPTION  
**AsSNTI  
Plastic Spacer Stud  
Metric internal Thread/Clip**

MATERIAL  
PA-GV, black  
GENERAL TOLERANCE  
DIN ISO 2768 T1m  
ORDER CODE  
973 xxx xx5

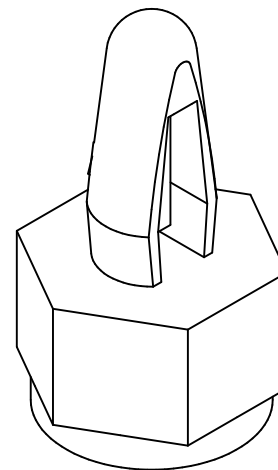
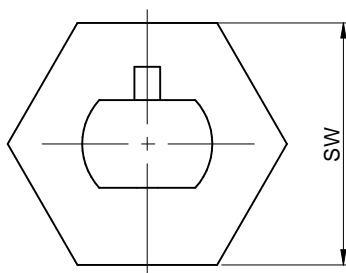
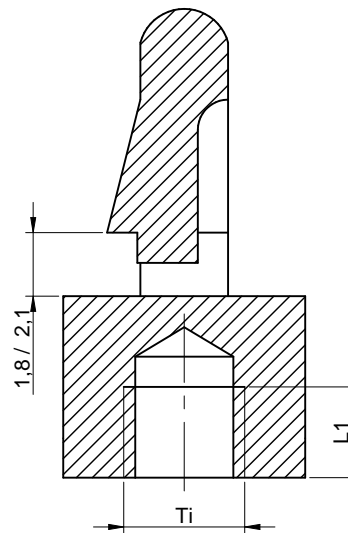
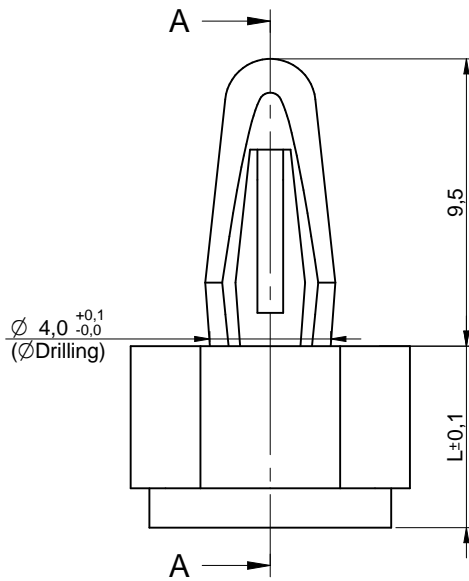
WEIGHT STATUS  
Released

REV DATE  
1.0 2015-02-18

PAGE  
DE 1 / 1



Order Code	L (mm)	L <sub>1</sub> (mm)	Thread Size	SW
973060385	6	3.0	M 3.0	SW 8
973070385	7	3.5	M 3.0	SW 8
973080385	8	4.0	M 3.0	SW 8
973090385	9	4.5	M 3.0	SW 8
973100385	10	5.0	M 3.0	SW 8
973110385	11	5.5	M 3.0	SW 8
973120385	12	6.0	M 3.0	SW 8
973130385	13	6.5	M 3.0	SW 8
973140385	14	7.0	M 3.0	SW 8
973150385	15	7.5	M 3.0	SW 8
973160385	16	8.0	M 3.0	SW 8
973170385	17	8.5	M 3.0	SW 8
973180385	18	9.0	M 3.0	SW 8
973190385	19	9.5	M 3.0	SW 8
973200385	20	10.0	M 3.0	SW 8
973500385	50	10.0	M 3.0	SW 8



Würth Elektronik eiSos GmbH & Co. KG  
EMC & Inductive Solutions

Max-Eyth-Str. 1  
74638 Waldenburg  
Germany  
Tel. +49 79 42 945 - 0

www.we-online.com  
eiSos@we-online.com



CREATED  
D. Fandrey

CHECKED  
S. Klingler

PROJECTION METHOD SCALE 4 : 1

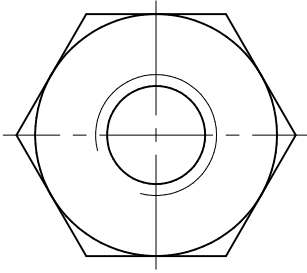
DESCRIPTION  
**AsSNTI  
Plastic Spacer Stud  
Metric internal Thread/Clip**

MATERIAL  
PA-GV, black  
GENERAL TOLERANCE  
DIN ISO 2768 T1m  
ORDER CODE  
973 xxx xx5

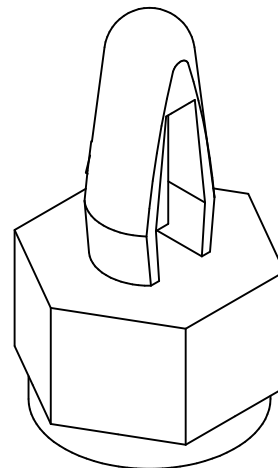
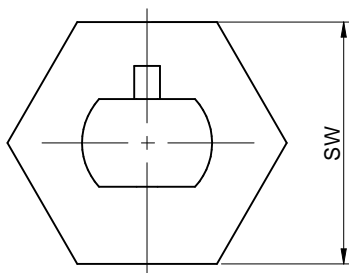
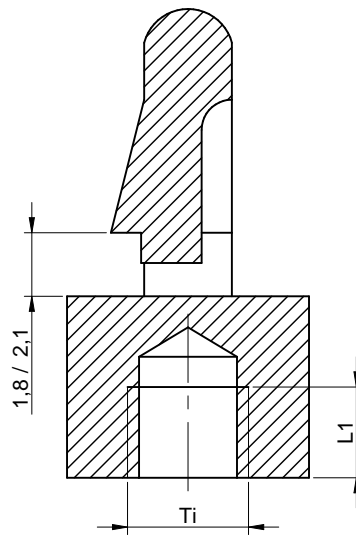
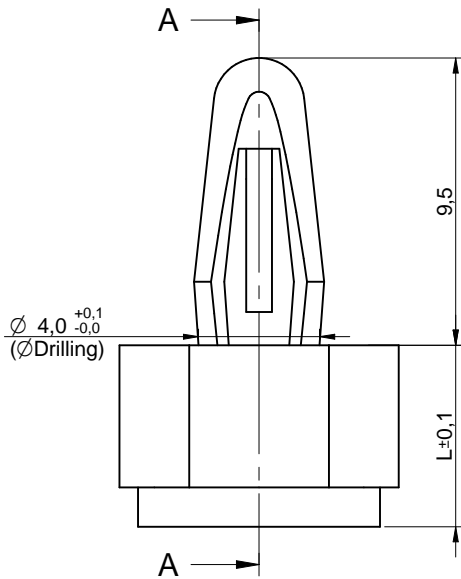
WEIGHT STATUS  
Released

REV DATE  
1.0 2015-02-18

PAGE  
DE 1 / 1



Order Code	L (mm)	L <sub>1</sub> (mm)	Thread Size	SW
973060485	6	3.0	M 4.0	SW 8
973070485	7	3.5	M 4.0	SW 8
973080485	8	4.0	M 4.0	SW 8
973090485	9	4.5	M 4.0	SW 8
973100485	10	5.0	M 4.0	SW 8
973110485	11	5.5	M 4.0	SW 8
973120485	12	6.0	M 4.0	SW 8
973130485	13	6.5	M 4.0	SW 8
973140485	14	7.0	M 4.0	SW 8
973150485	15	7.5	M 4.0	SW 8
973160485	16	8.0	M 4.0	SW 8
973170485	17	8.5	M 4.0	SW 8
973180485	18	9.0	M 4.0	SW 8
973190485	19	9.5	M 4.0	SW 8
973200485	20	10.0	M 4.0	SW 8
973500485	50	10.0	M 4.0	SW 8



Würth Elektronik eiSos GmbH & Co. KG  
EMC & Inductive Solutions


Max-Eyth-Str. 1  
74638 Waldenburg  
Germany  
Tel. +49 79 42 945 - 0

www.we-online.com  
eiSos@we-online.com



CREATED  
D. Fandrey

CHECKED  
S. Klingler

PROJECTION METHOD  SCALE 4 : 1

DESCRIPTION  
**AsSNTI  
Plastic Spacer Stud  
Metric internal Thread/Clip**

MATERIAL  
PA-GV, black

GENERAL TOLERANCE  
DIN ISO 2768 T1m

ORDER CODE  
973 xxx xx5

WEIGHT STATUS  
Released

REV DATE  
1.0 2015-02-18

PAGE  
DE 1 / 1

## **X-ON Electronics**

Largest Supplier of Electrical and Electronic Components

*Click to view similar products for [Wurth manufacturer](#):*

Other Similar products are found below :

[742700](#) [74270062](#) [7446222002](#) [750314624](#) [750341638](#) [30405S](#) [31402](#) [7446321027](#) [744732100](#) [744741471](#) [744772681](#) [744777](#)  
[890334025009](#) [178050601](#) [61308021121](#) [615008138221](#) [744999](#) [7446823003](#) [744028](#) [66201621822](#) [691301710003](#) [7446221012](#) [744720](#)  
[760390015](#) [760895431](#) [662006236022](#) [64900621822](#) [74436410330](#) [78438357100](#) [890334026014](#) [744839208072](#) [744762A/RFI](#) [7449984](#)  
[750310346](#) [861011384014](#) [750817018](#) [7449982](#) [3021717](#) [3020903](#) [885342](#) [2603019321001](#) [2603019021001](#) [2606039021001](#)  
[2608019324001](#) [2607019213001](#) [2605039241001](#) [2605049281001](#) [2607029291011](#) [709620200](#) [709951000](#)