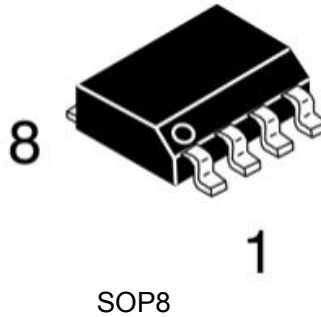


General Description

The LM358 series consists of two independent, high gain, internally frequency compensated operational amplifiers which were designed specifically to operate from a single power supply over a wide range of voltages. Operation from split power supplies is also possible and the low power supply current drain is independent of the magnitude of the power supply voltage.

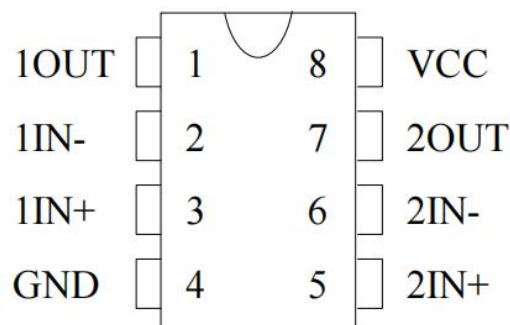
Application areas include transducer amplifiers, dc gain blocks and all the conventional op amp circuits which now can be more easily implemented in single power supply systems. For example, the LM358 series can be directly operated off of the standard +5V power supply voltage which is used in digital systems and will easily provide the required interface electronics without requiring the additional $\pm 15V$ power supplies.



Features

- Wide power supply range:
 - Single supply: 4V to 32V
 - or dual supplies: $\pm 2V$ to $\pm 16V$
- Very low supply current drain (500 μA)—essentially independent of supply voltage
- Wide bandwidth (unity gain): 1 MHz
- Low Input Bias Currents
- Common Mode Range Extends to Negative Supply

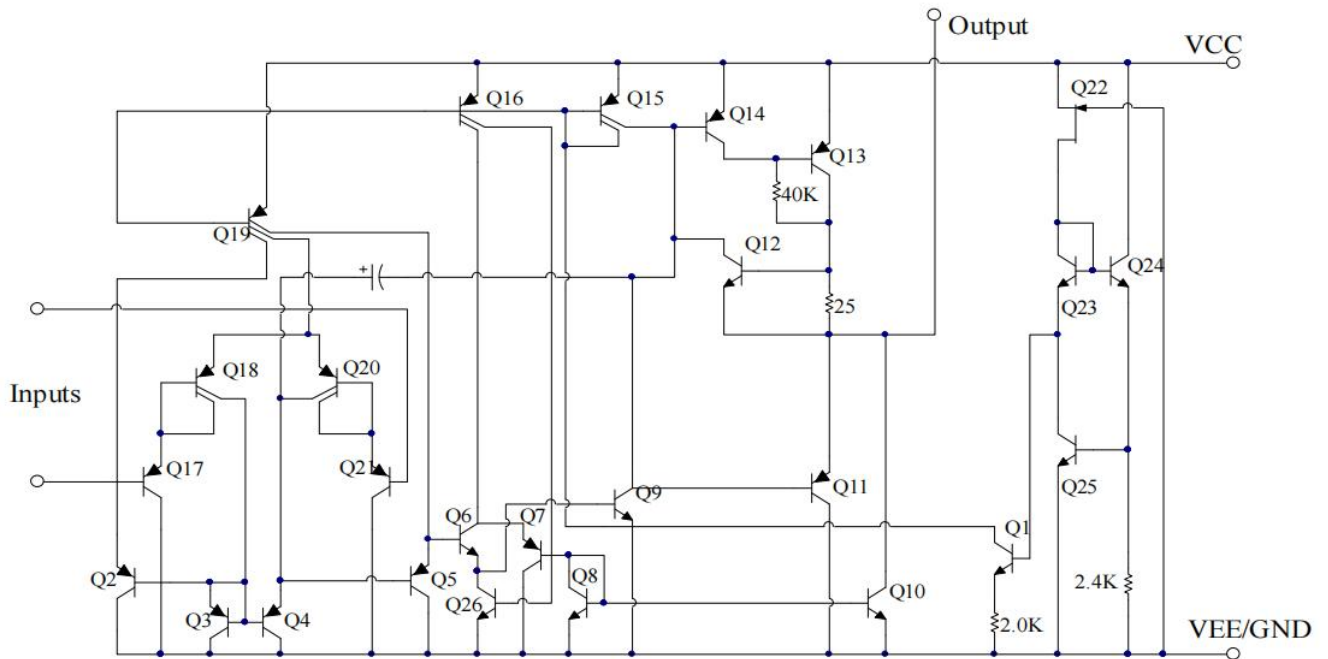
PIN CONNECTIONS



Ordering Information

Product Model	Package Type	Marking	Packing	Packing Qty
XBLW LM358DR2G	SOP-8	LM358	Tape	2500Pcs/Reel

Schematic Diagram (One-Half of Circuit Shown)



MAXIMUM RATINGS(TA = +25°C, unless otherwise noted.)

Rating		Value	Unit
Power Supply Voltages		32 or ± 16	V
Input Differential Voltage Range		32	V
Input Common Mode Voltage Range		-0.3 ~ VCC	V
Power Dissipation (Note1)	DIP8	830	mW
	SOP8	530	
Output Short Circuit Duration (One Amplifier) ($V \leq 15V, T_a = 25^\circ C$)		Continuous	
Input Current ($V_{IN} < -0.3V$)		50	mA
Junction Temperature		150	$^\circ C$
Operating Temperature Range		0 ~ 70	$^\circ C$
Storage Temperature Range		-65 ~ 150	$^\circ C$

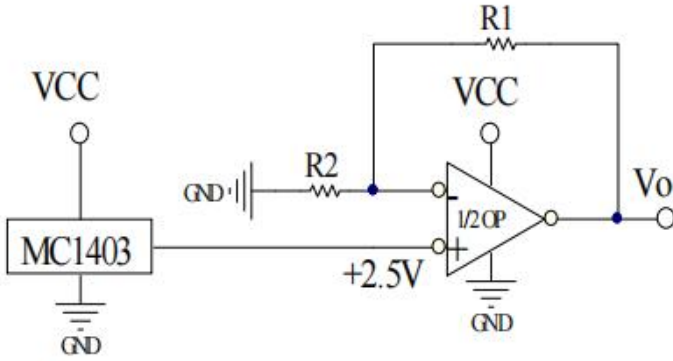
Note1 : LM358 must be derated based on a +150°C maximum junction temperature.

ELECTRICAL CHARACTERISTICS

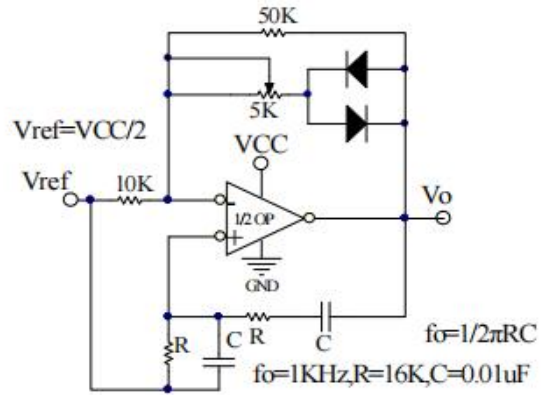
($V_{CC}=5.0V$, $T_A = +25^\circ C$, unless otherwise noted.)

Parameter	Conditions		LM358			Units
			Min	Typ	Max	
Input Offset Voltage	$T_a=25^\circ C, V_{CC} = 5.0 V \text{ to } 30 V, V_O = 1.4 V,$			2	5	mV
Input Bias Current	$T_a=25^\circ C$ IIN(+)或 IIN (-), $V_{CM}=0V$			45	250	nA
Input Offset Current	$T_a=25^\circ C$ IIN(+) - IIN (-), $V_{CM}=0V$			3	50	nA
Input Common Mode Voltage Range	$T_a=25^\circ C$ $V^+=30V$		0		$V_{CC} - 1.5$	V
Power Supply Current	$R_L=\infty, T_{\text{otal Device}}$	$V_{CC} = 30V$		1	2	mA
		$V_{CC} = 5V$		0.5	1.2	mA
Large Signal Open Loop Voltage Gain	$V_{CC} = 15V, T_a=25^\circ C, R_L \geq 2k\Omega$ (for $V_o=1\sim 11V$)		25	100		V/mV
Common Mode Rejection	DC, $T_a=25^\circ C, V_{CM}=0\sim V_{CC}-1.5V$		65	90		dB
Power Supply Rejection	DC, $T_a=25^\circ C, V_{CC} = 5\sim 30V$		65	100		dB
Output Source Current	$V_{IN(+)}=1V, V_{IN(-)}=0V, V_{CC}=15V, V_o=2V, T_a=25^\circ C$		20	40		mA
Output Sink Current	$V_{IN(-)}=1V, V_{IN(+)}=0V, V_{CC}=15V, V_o=2V, T_a=25^\circ C$		10	15		mA
	$V_{IN(-)}=1V, V_{IN(+)}=0V, V_{CC}=15V, V_o=200mV, T_a=25^\circ C$		12	50		μA
Output Short Circuit to Ground	$V_{CC}=15V, T_a=25^\circ C$			40	60	mA
Output Voltage Swing	VOH	$V_{CC}=30V$	$R_L=2k\Omega$	26		V
		$V_{CC}=30V$	$R_L=10k\Omega$	27	28	V
	VOL	$V_{CC}=5V, R_L=10k\Omega$			5	20

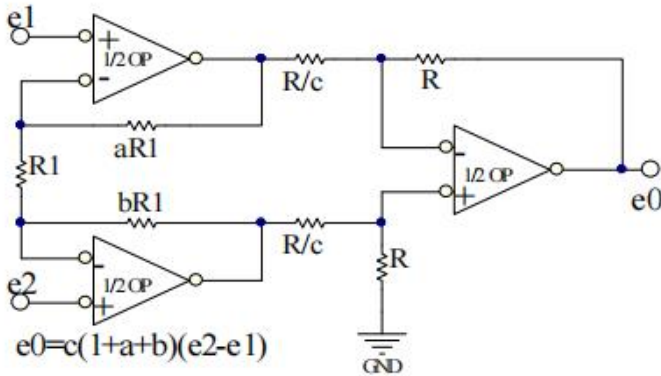
Typical Applications



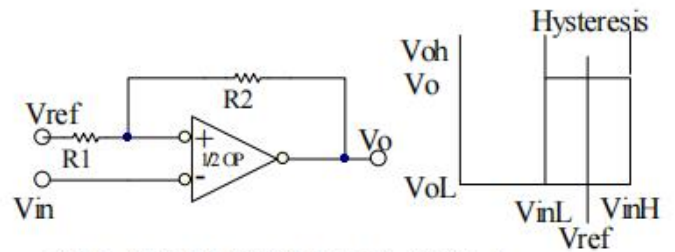
Voltage Reference, $V_o = 2.5V (1 + R1/R2)$



Wien Bridge Oscillator



High Impedance Differential Amplifier

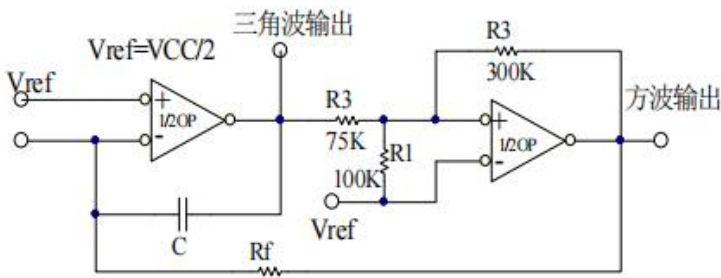


$$V_{inL} = (R1/(R1+R2)) * (V_{oL} - V_{ref}) + V_{ref}$$

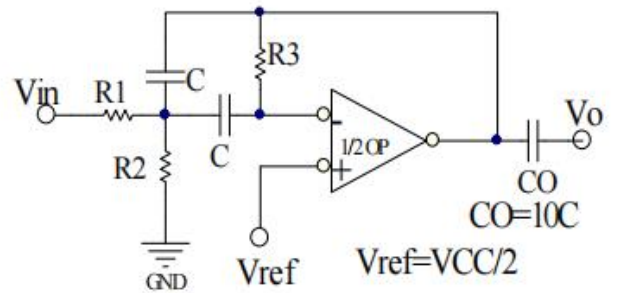
$$V_{inH} = (R1/(R1+R2)) * (V_{oH} - V_{ref}) + V_{ref}$$

$$H = (R1/(R1+R2)) * (V_{oH} - V_{oL})$$

Comparator with Hysteresis



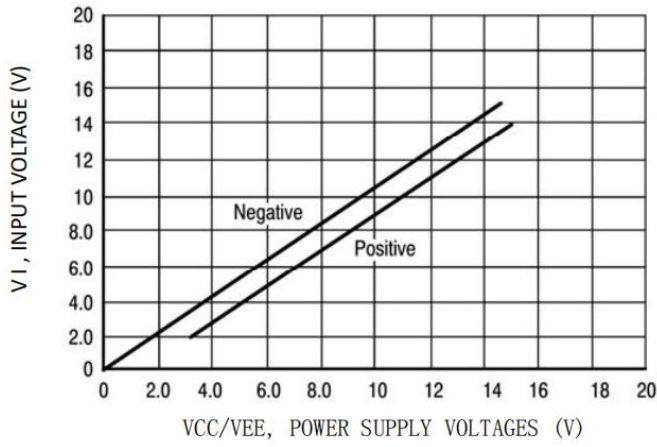
Function Generator



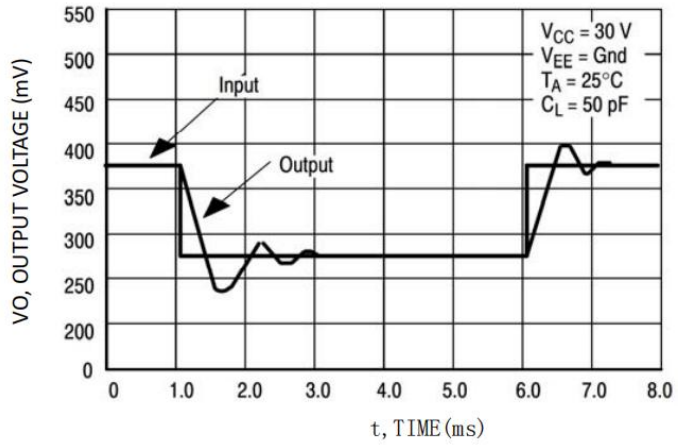
f_o = center frequency

Multiple Feedback Bandpass Filter

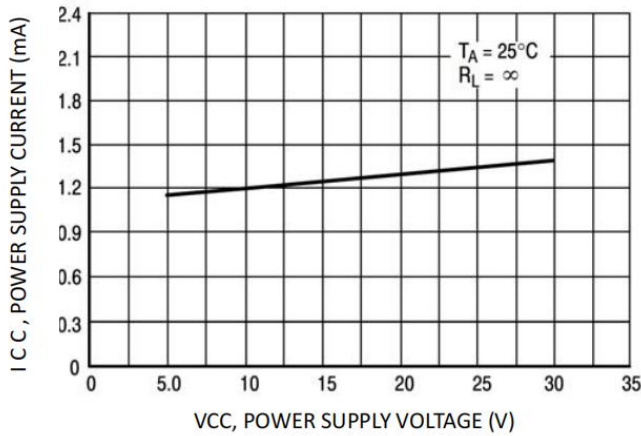
Typical Performance Characteristics



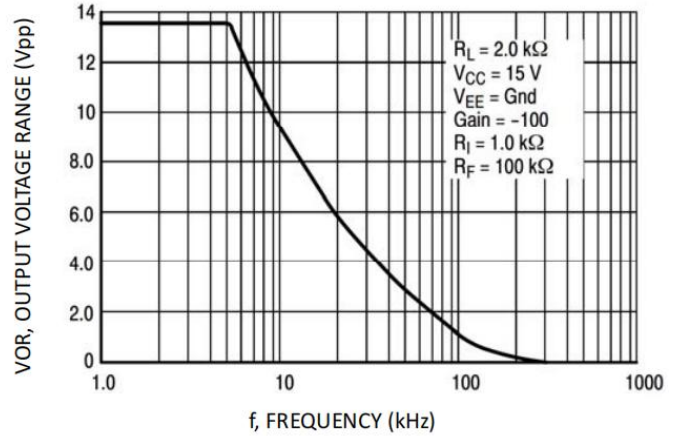
Input Voltage Range



Small Signal Voltage Follower Pulse Response
(Noninverting)



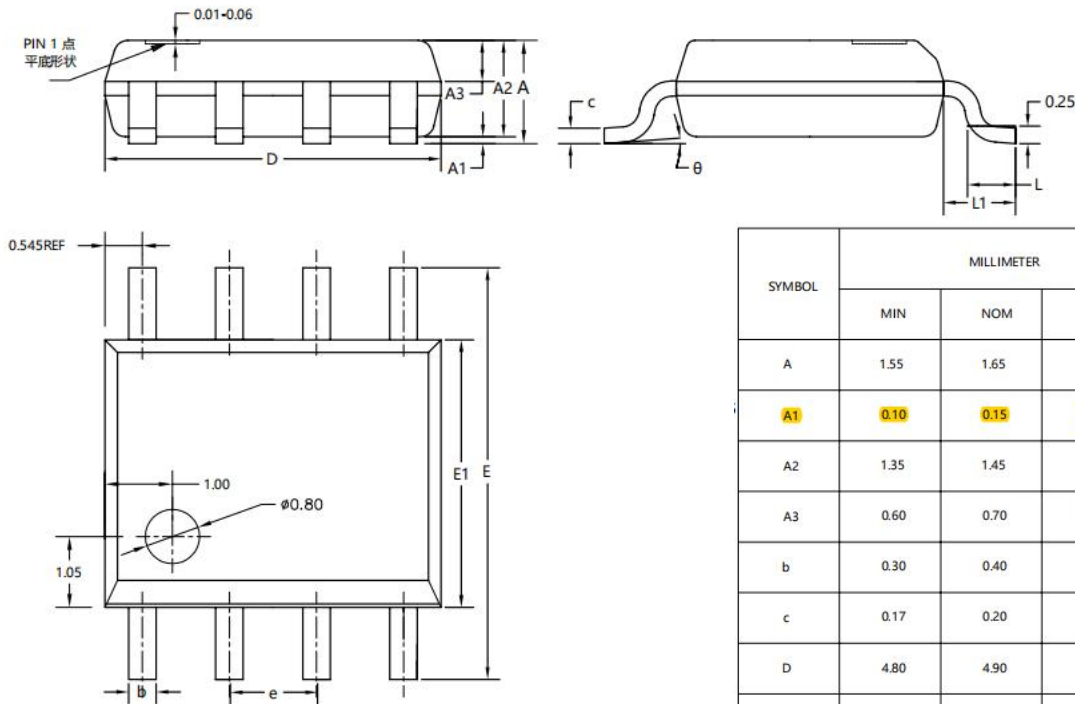
Power Supply Current versus Power Supply Voltage



Large-Signal Frequency Response

Package Information

SOP8



SYMBOL	MILLIMETER		
	MIN	NOM	MAX
A	1.55	1.65	1.75
A1	0.10	0.15	0.20
A2	1.35	1.45	1.55
A3	0.60	0.70	0.80
b	0.30	0.40	0.50
c	0.17	0.20	0.25
D	4.80	4.90	5.00
E	5.80	6.00	6.20
E1	3.80	3.90	4.00
e	1.27BSC		
L	0.50	0.60	0.70
L1	1.05REF		
θ	0°	4°	8°

Statement:

- ◇ Shenzhen xinbole electronics co., ltd. reserves the right to change the product specifications, without notice! Before placing an order, the customer needs to confirm whether the information obtained is the latest version, and verify the integrity of the relevant information.
- ◇ Any semiconductor product is liable to fail or malfunction under certain conditions, and the buyer shall be responsible for complying with safety standards in the system design and whole machine manufacturing using Shenzhen xinbole electronics co., ltd products, and take appropriate security measures to avoid the potential risk of failure may result in personal injury or property losses of the situation occurred!
- ◇ This document is for reference only, and the actual use should be based on the application test results.
- ◇ Product performance is never ending, Shenzhen xinbole electronics co., ltd will be dedicated to provide customers with better performance, better quality of integrated circuit products.

X-ON Electronics

Largest Supplier of Electrical and Electronic Components

Click to view similar products for [Operational Amplifiers - Op Amps](#) category:

Click to view products by [XBLW](#) manufacturer:

Other Similar products are found below :

[430227FB](#) [LT1678IS8](#) [058184EB](#) [NCV33202DMR2G](#) [NJM324E](#) [M38510/13101BPA](#) [NTE925](#) [AZV358MTR-G1](#) [AP4310AUMTR-AG1](#)
[AZV358MMTR-G1](#) [SCY33178DR2G](#) [NCV20034DR2G](#) [NTE778S](#) [NTE871](#) [NTE937](#) [NJU7057RB1-TE2](#) [SCY6358ADR2G](#)
[NJM2904CRB1-TE1](#) [UPC4570G2-E1-A](#) [UPC4741G2-E1-A](#) [UPC4574GR-9LG-E1-A](#) [NJM8532RB1-TE1](#) [EL2250CS](#) [EL5100IS](#) [EL5104IS](#)
[EL5127CY](#) [EL5127CYZ](#) [EL5133IW](#) [EL5152IS](#) [EL5156IS](#) [EL5162IS](#) [EL5202IY](#) [EL5203IY](#) [EL5204IY](#) [EL5210CS](#) [EL5210CYZ](#)
[EL5211IYE](#) [EL5220CY](#) [EL5223CLZ](#) [EL5223CR](#) [EL5224ILZ](#) [EL5227CLZ](#) [EL5227CRZ](#) [EL5244CS](#) [EL5246CS](#) [EL5246CSZ](#) [EL5250IY](#)
[EL5251IS](#) [EL5257IS](#) [EL5260IY](#)