

## General Description

The XBLW LMV321A (single), XBLW LMV358A (dual) and XBLW LMV324A (quad) are general purpose, low offset, high frequency response and micro power operational amplifiers. With an excellent bandwidth of 1MHz, a slew rate of 0.8V/μs, and a quiescent current of 80μA per amplifier at 5V, the XBLW LMV321A/358A/324A family can be designed into a wide range of applications.

The XBLW LMV321A/358A/324A op-amps are designed to provide optimal performance in low voltage and low power systems. The input common-mode voltage range includes ground, and the maximum input offset voltage are 4.5mV. These parts provide rail-to-rail output swing into heavy loads. The XBLW LMV321A/358A/324A family is specified for single or dual power supplies of +2.3V to +5.5V. All models are specified over the extended industrial temperature range of -40°C to +125°C.

The XBLW LMV321A is available in 5-lead SOT-23 and SC70-5 package. The XBLW LMV358A is available in 8-lead SOP package. The XBLW LMV324A is available in 14-lead SOP package.

## Features

- General Purpose 1MHz Amplifiers, Low Cost
- High Slew Rate: 0.8V/μs
- Low Offset Voltage: 4.5 mV Maximum
- Low Power: 80μA per Amplifier Supply Current
- Settling Time to 0.1% with 2V Step: 4.2 μs
- Unit Gain Stable
- Rail-to-Rail Input and Output
- Input Voltage Range: -0.1V to +5.1V at 5V Supply
- Operating Power Supply: +2.3V to +5.5V
- Operating Temperature Range: -40°C to +125°C
- ESD Rating: HBM-4kV, CDM-2kV
- Upgrade to LMV321A/LMV358A/LMV324A Family

## Applications

- Smoke/Gas/Environment Sensors
- Audio Outputs
- Battery and Power Supply Control
- Portable Equipment and Mobile Devices
- Active Filters
- Sensor Interfaces
- Battery-Powered Instrumentation
- Medical Instrumentation

## Ordering Information

DEVICE	Package Type	MARKING	Packing	Packing QTY
LMV321ATDTR	SOT23-5	V321A	Tape	3000/Reel
LMV321ACDTR	SC70-5	V321A	Tape	3000/Reel
LMV358ADTR	SOP-8	LMV358A	Tape	2500/Reel
LMV358AMDTR	MSOP-8	V358AM	Tape	3000/Reel
LMV358ATDTR	TSSOP-8	V358AT	Tape	3000/Reel
LMV324ADTR	SOP-14	LMV324A	Tape	2500/Reel
LMV324ATDTR	TSSOP-14	V324AT	Tape	2500/Reel

## Pin Configurations

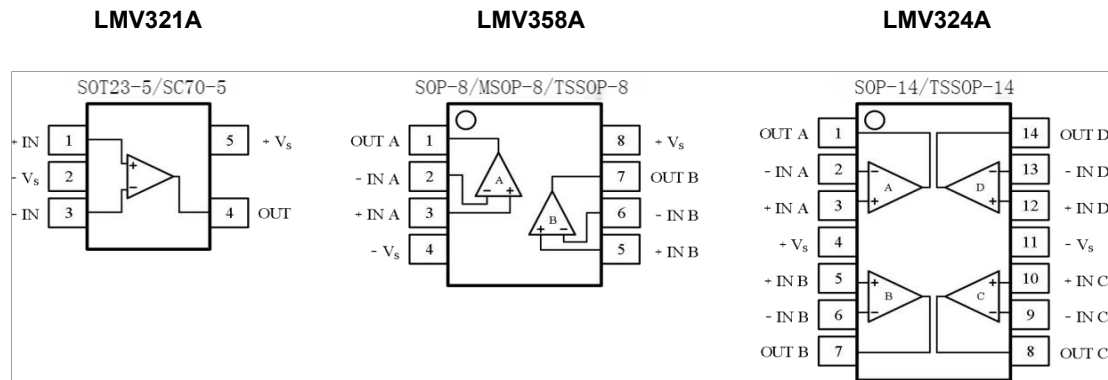


Figure 1 Pin Configurations

## Pin Description

Symbol	Description
-IN	Negative (inverting) input.
+IN	Positive (noninverting) input.
-INA, -INB -INC, -IND	Inverting Input of the Amplifier. The Voltage range can go from ( $V_{S-} - 0.1V$ ) to ( $V_{S+} + 0.1V$ ).
+INA, +INB +INC, +IND	Non-Inverting Input of Amplifier. This pin has the same voltage range as -IN.
+Vs	Positive Power Supply. The voltage is from 2.3V to 5.5V. Split supplies are possible as long as the voltage between $V_{S+}$ and $V_{S-}$ is between 2.3V and 5.5V. A bypass capacitor of 0.1 $\mu$ F as close to the part as possible should be used between power supply pins or between supply pins and ground
-Vs	Negative Power Supply. It is normally tied to ground. It can also be tied to a voltage other than ground as long as the voltage between $V_{S+}$ and $V_{S-}$ is from 2.3V to 5.5V. If it is not connected to ground, bypass it with a capacitor of 0.1 $\mu$ F as close to the part as possible.
OUT	Output.
OUTA, OUTB OUTC, OUTD	Amplifier Output

## Absolute Maximum Ratings (TA= 25°C)

Symbol	Description	Value	Units
$V_{S+}, V_{S-}$	Supply Voltage, $V_{S+}$ to $V_{S-}$	7.0	V
$V_{CM}$	Common-Mode Input Voltage	$V_{S-} - 0.3$ to $V_{S+} + 0.3$	V
ESD	Electrostatic Discharge Voltage	HBM $\pm 4000$	V
		CDM $\pm 2000$	V
$T_J$	Junction Temperature	160	°C
$T_{STG}$	Storage Temperature Range	-65 to +150	°C( $T_J$ )
$T_{JL}$	Lead Temperature Range (Soldering 10 sec)	260	°C

### Notes:

1. Stresses beyond those listed under Absolute Maximum Ratings may cause permanent damage to the device. These are stress ratings only, which do not imply functional operation of the device at these or any other conditions beyond those indicated under

Recommended Operating Conditions. Exposure to absolute-maximum-rated conditions for extended periods may affect device reliability.

2. Provided device does not exceed maximum junction temperature (TJ) at any time.

## Electrical Characteristics

$V_S = 5.0V$ ,  $T_A = +25^\circ C$ ,  $V_{CM} = V_S/2$ ,  $V_O = V_S/2$ , and  $R_L = 10k\Omega$  connected to  $V_S/2$ , unless otherwise noted.

Symbol	Parameter	Conditions	Min.	Typ.	Max.	Unit
<b>INPUT CHARACTERISTICS</b>						
$V_{OS}$	Input offset voltage		-4.5	$\pm 1.0$	+4.5	mV
	Over temperature		-4.8		+4.8	
$V_{OS\ TC}$	Offset voltage drift	Over Temperature		2.3		$\mu V/^\circ C$
$I_B$	Input bias current			1		pA
	Over temperature			500		
$I_{OS}$	Input offset current			1		pA
$V_{CM}$	Common-mode voltage range		$V_{S-}-0.1$		$V_{S+}+0.1$	V
$CMRR$	Common-mode rejection ratio	$V_{CM} = 0.05V$ to $3.5V$		90		dB
	Over temperature			85		
	Over temperature	$V_{CM} = V_{S-}-0.1$ to $V_{S+}+0.1 V$		80		
				75		
$A_{VOL}$	Open-loop voltage gain	$V_O = 0.05$ to $3.5 V$		110		dB
	Over temperature			100		
$R_{IN}$	Input resistance		100			$G\Omega$
$C_{IN}$	Input capacitance	Differential		2.0		pF
		Common mode		3.5		
<b>OUTPUT CHARACTERISTICS</b>						
$V_{OH}$	High output voltage swing			$V_{S+}-8$		mV
$V_{OL}$	Low output voltage swing			8		mV
$Z_{OUT}$	Closed-loop output impedance	$f = 200kHz$ , $G = +1$		0.4		$\Omega$
	Open-loop output impedance	$f = 1MHz$ , $I_O = 0$		2.6		
$I_{SC}$	Short-circuit current	Source current through $10\Omega$		40		mA
		Sink current through $10\Omega$		40		
<b>DYNAMIC PERFORMANCE</b>						
GBW	Gain bandwidth product	$f = 1kHz$		1.0		MHz
$\Phi_M$	Phase margin	$C_L = 100pF$		62		$^\circ$
SR	Slew rate	$G = +1$ , $C_L = 100pF$ , $V_O = 1.5V$ to $3.5V$		0.8		$V/\mu s$

## Electrical Characteristics

$V_S = 5.0V$ ,  $T_A = +25^\circ C$ ,  $V_{CM} = V_S/2$ ,  $V_O = V_S/2$ , and  $R_L = 10k\Omega$  connected to  $V_S/2$ , unless otherwise noted.

Symbol	Parameter	Conditions	Min.	Typ.	Max.	Unit
t <sub>s</sub>	Settling time	To 0.1%, G = +1, 2V step		4.2		μs
		To 0.01%, G = +1, 2V step		5.2		
t <sub>OR</sub>	Overload recovery time	V <sub>IN</sub> * Gain > V <sub>S</sub>		2		μs
THD+N	Total harmonic distortion+Noise	f = 1kHz, G = +1, V <sub>O</sub> =3V <sub>PP</sub>		0.003		%
NOISE PERFORMANCE						
V <sub>n</sub>	Input voltage noise	f = 0.1 to 10 Hz		13		μV <sub>P-P</sub>
e <sub>n</sub>	Input voltage noise density	f = 1kHz		35		nV/√Hz
I <sub>n</sub>	Input current noise density	f = 10kHz		6		fA/√Hz
POWER SUPPLY						
V <sub>S</sub>	Operating supply voltage		2.3		5.5	V
PSRR	Power supply rejection ratio	V <sub>S</sub> = 2.7V to 5.5V, V <sub>CM</sub> < V <sub>S+</sub> - 2V		98		dB
	Over temperature			85		
I <sub>Q</sub>	Quiescent current (per amplifier)			80	120	μA
	Over temperature			85	130	
THERMAL CHARACTERISTICS						
T <sub>A</sub>	Operating temperature range		-40		+125	°C
θ <sub>JA</sub>	Package thermal resistance	SOT23-5		190		°C/W
		SO-8		125		
		SO-14		115		

**Specifications subject to changes without notice**

**Typical Performance Characteristics**

At  $T_A = +25^\circ\text{C}$ ,  $V_{CM} = V_S/2$ , and  $R_L = 10\text{k}\Omega$  connected to  $V_S/2$ , unless otherwise noted.

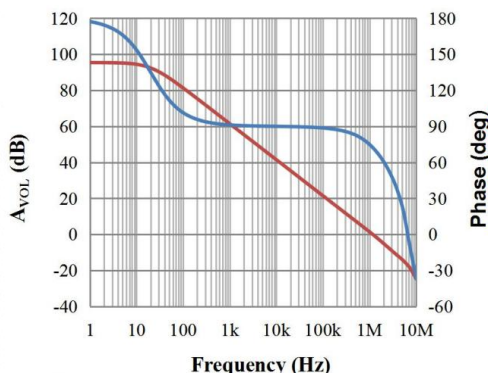


Figure 2 Open-loop Gain and Phase as function of Frequency

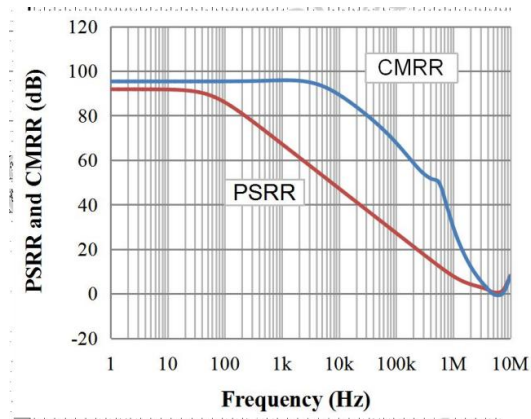


Figure 3 Power Supply and Common-mode Rejection Ratio as a function of Frequency

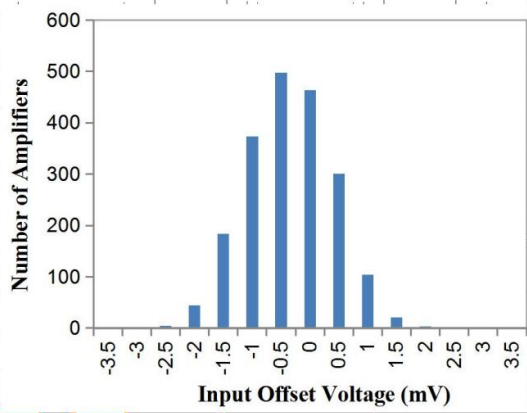


Figure 4 Input Offset Voltage Production Distribution

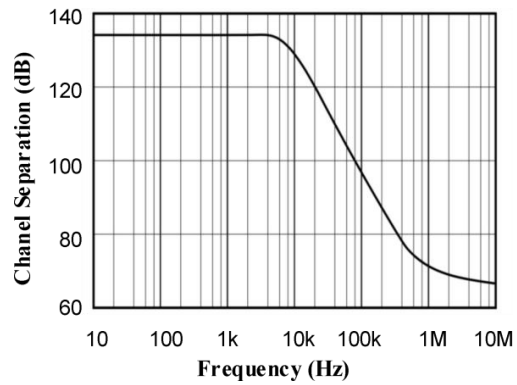


Figure 5 Channel Separation as a function of Frequency

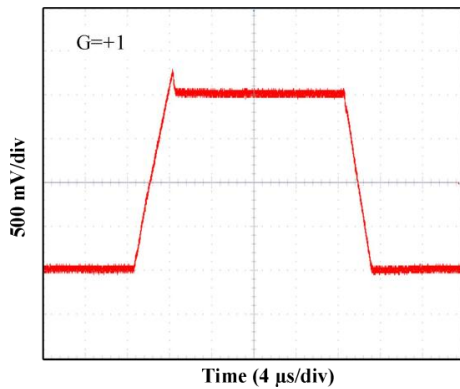


Figure 6 Large-Signal Step Response at 2.7V

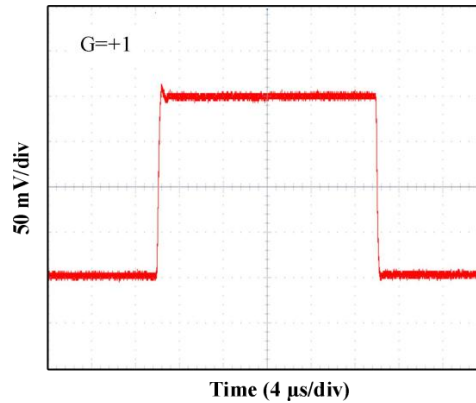


Figure 7 Small-Signal Step Response at 2.7V

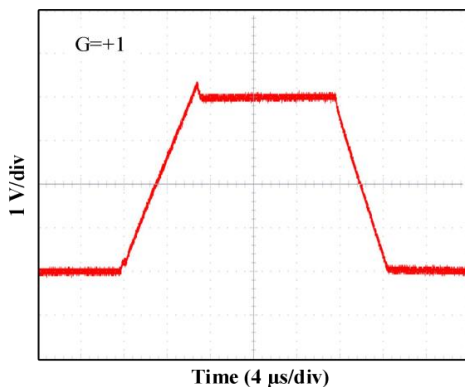


Figure 8 Large-Signal Step Response at 5V

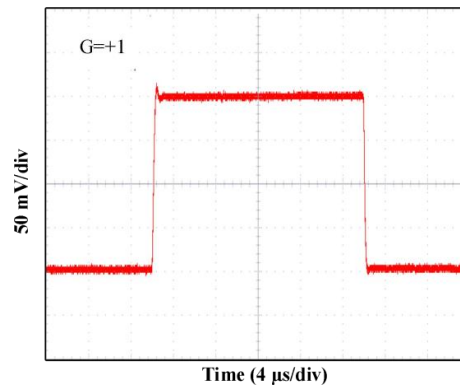


Figure 9 Small-Signal Step Response at 5V

## Application Notes

### 1. LOW INPUT BIAS CURRENT

The XBLW LMV321A/358A/324A family is a CMOS op-amp family and features very low input bias current in pA range. The low input bias current allows the amplifiers to be used in applications with high resistance sources. Care must be taken to minimize PCB Surface Leakage. See below section on “PCB Surface Leakage” for more details.

### 2. PCB SURFACE LEAKAGE

In applications where low input bias current is critical, Printed Circuit Board (PCB) surface leakage effects need to be considered. Surface leakage is caused by humidity, dust or other contamination on the board. Under low humidity conditions, a typical resistance between nearby traces is  $10^{12}\Omega$ . A 5V difference would cause 5pA of current to flow, which is greater than the XBLW LMV321A/358A/324A’s input bias current at +25°C ( $\pm 1\text{fA}$ , typical). It is recommended to use multi-layer PCB layout and route the op-amp’s -IN and +IN signal under the PCB surface.

The effective way to reduce surface leakage is to use a guard ring around sensitive pins (or traces). The guard ring is biased at the same voltage as the sensitive pin. An example of this type of layout is shown in Figure 10 for Inverting Gain application.

1. For Non-Inverting Gain and Unity-Gain Buffer:

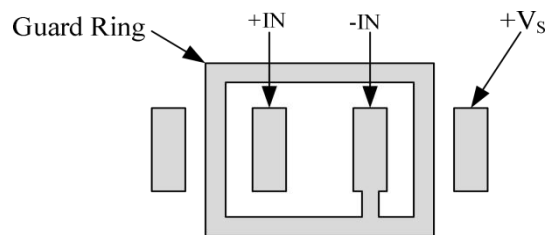
a) Connect the non-inverting pin (+IN) to the input with a wire that does not touch the PCB surface.

b) Connect the guard ring to the inverting input pin (-IN). This biases the guard ring to the Common Mode input voltage.

2. For Inverting Gain and Trans-impedance Gain Amplifiers (convert current to voltage, such as photo detectors):

a) Connect the guard ring to the non-inverting input pin (+IN). This biases the guard ring to the same reference voltage as the op-amp (e.g.,  $V_S/2$  or ground).

b) Connect the inverting pin (-IN) to the input with a wire that does not touch the PCB surface.



### 3. GROUND SENSING AND RAIL TO RAIL

The input common-mode voltage range of the XBLW LMV321A/358A/324A series extends 100mV beyond the supply rails. This is achieved with a complementary input stage—an N-channel input differential pair in parallel with a P-channel differential pair. For normal operation, inputs should be limited to this range. The absolute maximum input voltage is 300mV beyond the supplies. Inputs greater than the input common-mode range but less than the maximum input voltage, while not valid, will not cause any damage to the op-amp. Unlike some other op-amps, if input current is limited, the inputs may go beyond the supplies without phase inversion, as shown in Figure 11. Since the input common-mode range extends from  $(V_{S-} - 0.1\text{V})$  to  $(V_{S+} + 0.1\text{V})$ , the XBLW LMV321A/358A/324A op-amps can easily perform ‘true ground’ sensing.

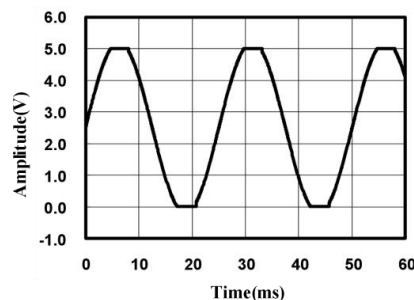


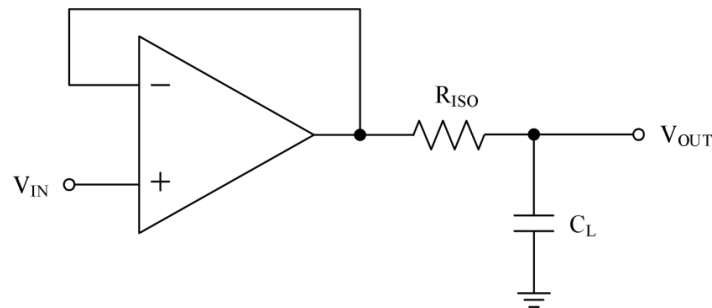
Figure 11 No Phase Inversion with Inputs Greater Than the Power-Supply Voltage

rail-to-rail output. For light resistive loads (e.g. 100kΩ), the output voltage can typically swing to within 5mV from the supply rails. With moderate resistive loads (e.g. 10kΩ), the output can typically swing to within 10mV from the supply rails and maintain high open-loop gain.

The maximum output current is a function of total supply voltage. As the supply voltage to the amplifier increases, the output current capability also increases. Attention must be paid to keep the junction temperature of the IC below 150°C when the output is in continuous short-circuit. The output of the amplifier has reverse-biased ESD diodes connected to each supply. The output should not be forced more than 0.5V beyond either supply, otherwise current will flow through these diodes.

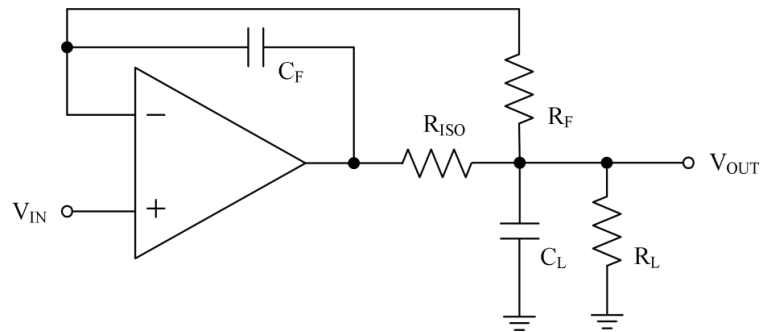
#### 4. CAPACITIVE LOAD AND STABILITY

The XBLW LMV321A/358A/324A can directly drive 1nF in unity-gain without oscillation. The unity-gain follower (buffer) is the most sensitive configuration to capacitive loading. Direct capacitive loading reduces the phase margin of amplifiers and this results in ringing or even oscillation. Applications that require greater capacitive drive capability should use an isolation resistor between the output and the capacitive load like the circuit in Figure 12. The isolation resistor R<sub>ISO</sub> and the load capacitor C<sub>L</sub> form a zero to increase stability. The bigger the R<sub>ISO</sub> resistor value, the more stable V<sub>OUT</sub> will be. Note that this method results in a loss of gain accuracy because R<sub>ISO</sub> forms a voltage divider with the R<sub>L</sub>.



**Figure 12 Indirectly Driving Heavy Capacitive Load**

An improvement circuit is shown in Figure 13. It provides DC accuracy as well as AC stability. The R<sub>F</sub> provides the DC accuracy by connecting the inverting signal with the output. The C<sub>F</sub> and R<sub>ISO</sub> serve to counteract the loss of phase margin by feeding the high frequency component of the output signal back to the amplifier's inverting input, thereby preserving phase margin in the overall feedback loop.



**Figure 13 Indirectly Driving Heavy Capacitive Load with DC Accuracy**

For no-buffer configuration, there are two others ways to increase the phase margin: (a) by increasing the amplifier's gain, or (b) by placing a capacitor in parallel with the feedback resistor to counteract the parasitic capacitance associated with inverting node.

#### 5. POWER SUPPLY LAYOUT AND BYPASS

The XBLW LMV321A/358A/324A family operates from either a single +2.3V to +5.5V supply or dual ±1.15V to ±2.75V supplies. For single-supply operation, bypass the power supply V<sub>S</sub> with a ceramic capacitor (i.e. 0.01μF to 0.1μF) which should be placed close (within 2mm for good high frequency performance) to the V<sub>S</sub> pin. For dual-supply operation, both the V<sub>S+</sub> and the V<sub>S-</sub> supplies should be bypassed to ground with separate 0.1μF ceramic capacitors. A bulk capacitor (i.e. 2.2μF or larger tantalum capacitor) within 100mm to provide large, slow currents and better performance. This bulk capacitor can be shared with other analog parts.

Good PC board layout techniques optimize performance by decreasing the amount of stray capacitance at the op-amp's inputs and output. To decrease stray capacitance, minimize trace lengths and widths by placing external components as close to the device as possible. Use surface-mount components whenever possible. For the op-amp, soldering the part to the board directly is strongly recommended. Try to keep the high frequency big current loop area small to minimize the EMI (electromagnetic interfacing).

## 6. GROUNDING

A ground plane layer is important for the XBLW LMV321A/358A/324A circuit design. The length of the current path speed currents in an inductive ground return will create an unwanted voltage noise. Broad ground plane areas will reduce the parasitic inductance.

## 7. INPUT-TO-OUTPUT COUPLING

To minimize capacitive coupling, the input and output signal traces should not be parallel. This helps reduce unwanted positive feedback.

# Typical Application Circuits

## 1. DIFFERENTIAL AMPLIFIER

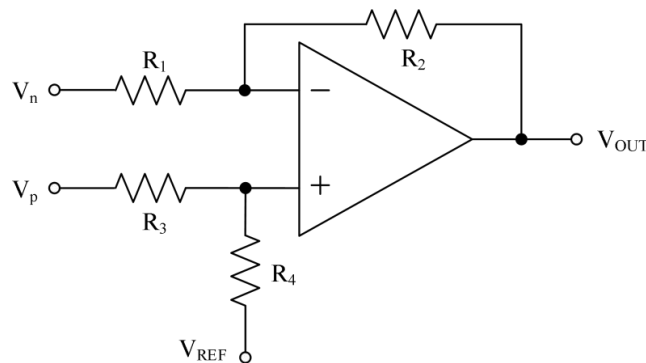
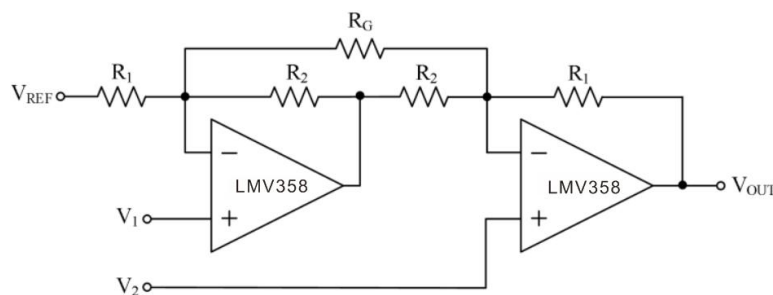


Figure 14 Differential Amplifier

The circuit shown in Figure 14 performs the difference function. If the resistors ratios are equal  $R_4/R_3 = R_2/R_1$ , then:

$$V_{OUT} = (V_p - V_n) \times R_2/R_1 + V_{REF}$$

## 2. INSTRUMENTATION AMPLIFIER



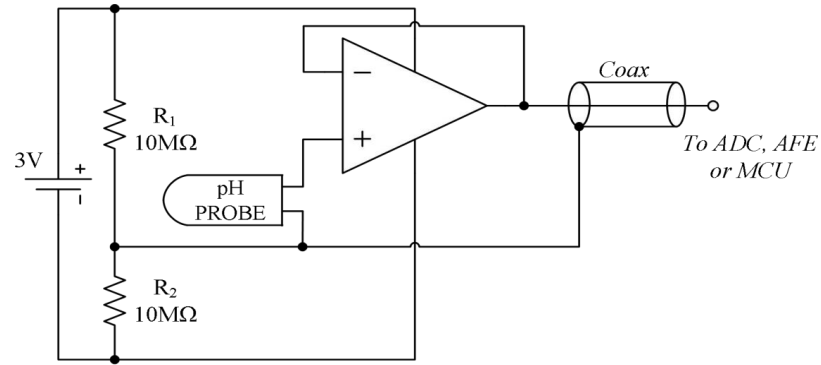
$$V_{OUT} = (V_1 - V_2) \times (1 + R_1/R_2 + 2R_1/R_G) + V_{REF}$$

Figure 15 Instrumentation Amplifier

The XBLW LMV321A/358A/324A family is well suited for conditioning sensor signals in battery-powered applications. Figure 15 shows a two op-amp instrumentation amplifier, using the XBLW LMV358A op-amps. The circuit works well for applications requiring rejection of common-mode noise at higher gains. The reference voltage ( $V_{REF}$ ) is supplied by a low-impedance source. In single voltage supply applications, the  $V_{REF}$  is typically  $V_S/2$ .

## 3. BUFFERED CHEMICAL SENSORS





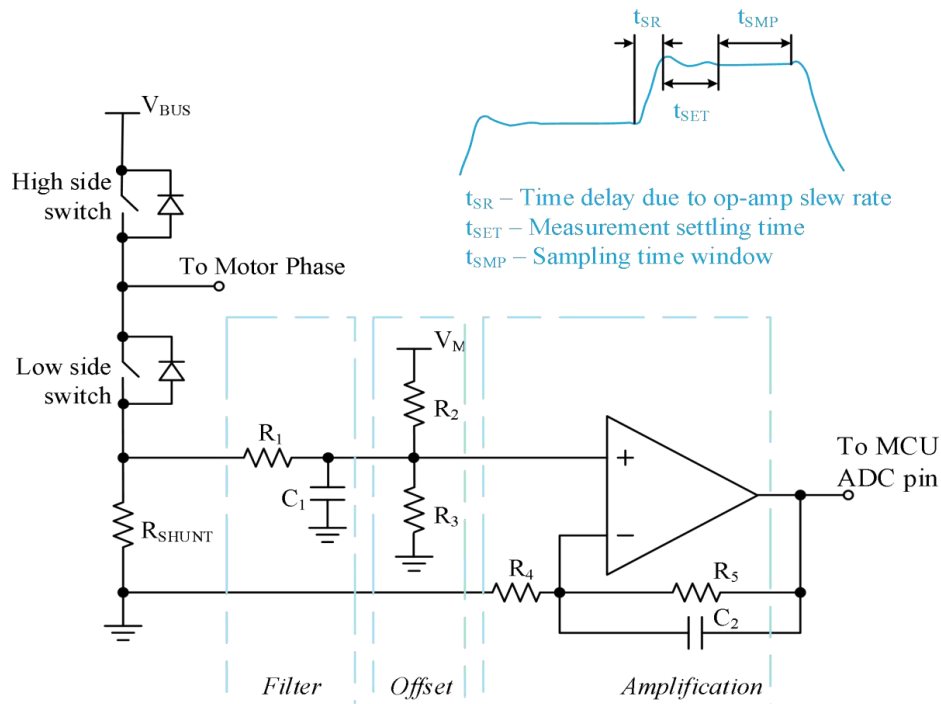
All components contained within the pH probe

**Figure 16 Buffered pH Probe**

The XBLW LMV321A/358A/324A family has input bias current in the pA range. This is ideal in buffering high impedance chemical sensors, such as pH probes. As an example, the circuit in Figure 16 eliminates expensive low-leakage cables that is required to connect a pH probe (general purpose combination pH probes, e.g Corning 476540) to metering ICs such as ADC, AFE and/or MCU. An XBLW LMV321A/358A/324A op-amp and a lithium battery are housed in the probe assembly. A conventional low-cost coaxial cable can be used to carry the op-amp's output signal to subsequent ICs for pH reading.

#### 4. SHUNT-BASED CURRENT SENSING AMPLIFIER

The current sensing amplification shown in Figure 8 has a slew rate of  $2\pi\text{fVPP}$  for the output of sine wave signal, and has a slew rate of  $2\text{fVPP}$  for the output of triangular wave signal. In most of motor control systems, the PWM frequency is at 10kHz to 20kHz, and one cycle time is  $100\mu\text{s}$  for a 10kHz of PWM frequency. In current shunt monitoring for a motor phase, the phase current is converted to a phase voltage signal for ADC sampling. This sampling voltage signal must be settled before entering the ADC. As the Figure 19 shown, the total settling time of a current shunt monitor circuit includes: the rising edge delay time ( $t_{\text{SR}}$ ) due to the op-amp's slew rate, and the measurement settling time ( $t_{\text{SET}}$ ). For a 3-shunt solution in motor phase current sensing, if the smaller duty cycle of the PWM is defined at 45% (In fact, the phase with minimum PWM duty cycle, such as 5%, is not detected current directly, and it can be calculated from the other two phase currents), and the  $t_{\text{SR}}$  is required at 20% of a total time window for a phase current monitoring, in case of a 3.3V motor control system(3.3V MCU with 12-bit ADC), the op-amp's slew rate should be more than:

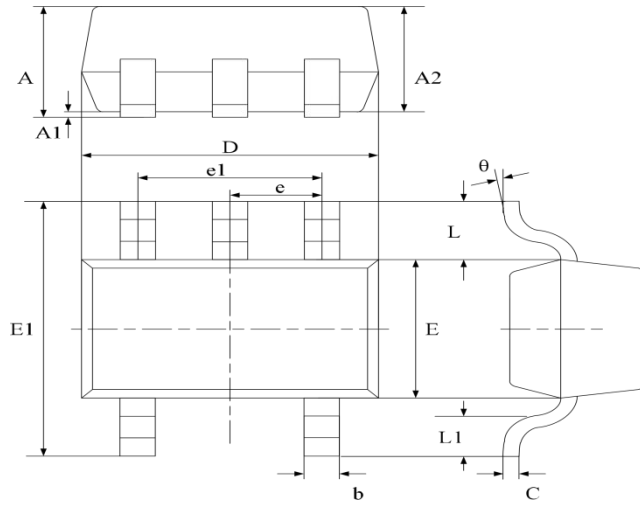


$$3.3\text{V} / (100\mu\text{s} \times 45\% \times 20\%) = 0.37 \text{ V}/\mu\text{s}$$

At the same time, the op-amp's bandwidth should be much greater than the PWM frequency, like 10 time at least.

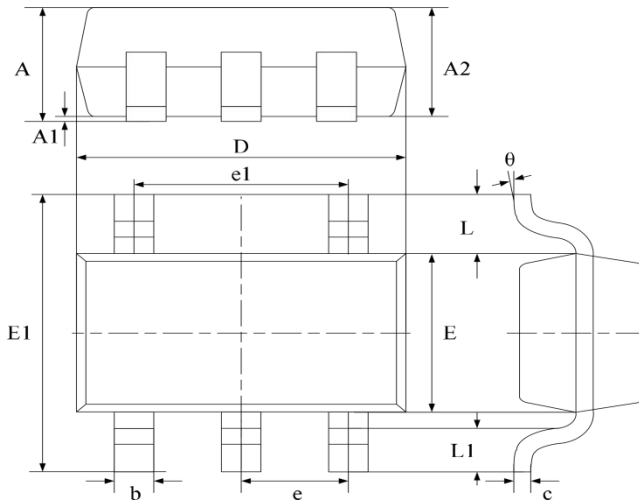
Package Information

SC70-5



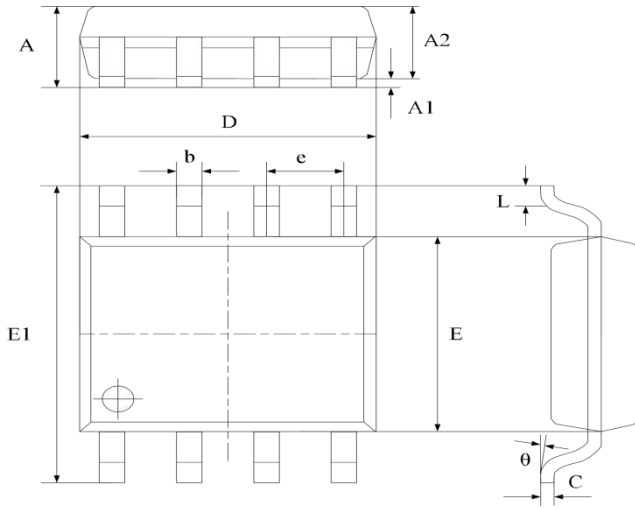
Symbol	Dimensions In Millimeters		Dimensions In Inches	
	Min	Max	Min	Max
A	0.800	1.100	0.035	0.043
A1	0.000	0.100	0.000	0.004
A2	0.800	0.900	0.035	0.039
b	0.150	0.350	0.006	0.014
C	0.080	0.150	0.003	0.006
D	1.8500	2.150	0.079	0.087
E	1.100	1.400	0.045	0.053
E1	1.950	2.200	0.085	0.096
e	0.850 typ.		0.026 typ.	
e1	1.200	1.400	0.047	0.055
L	0.42 ref.		0.021 ref.	
L1	0.260	0.460	0.010	0.018
θ	0°	8°	0°	8°

SOT23-5



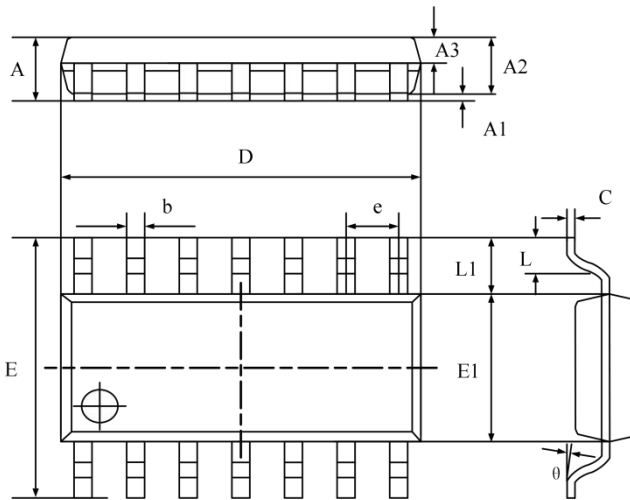
Symbol	Dimensions In Millimeters		Dimensions In Inches	
	Min	Max	Min	Max
A	1.040	1.350	0.042	0.055
A1	0.040	0.150	0.002	0.006
A2	1.000	1.200	0.041	0.049
b	0.380	0.480	0.015	0.020
c	0.110	0.210	0.004	0.009
D	2.720	3.120	0.111	0.127
E	1.400	1.800	0.057	0.073
E1	2.600	3.000	0.106	0.122
e	0.950 typ.		0.037 typ.	
e1	1.900 typ.		0.078 typ.	
L	0.700 ref.		0.028 ref.	
L1	0.300	0.600	0.012	0.024
θ	0°	8°	0°	8°

### SOP-8



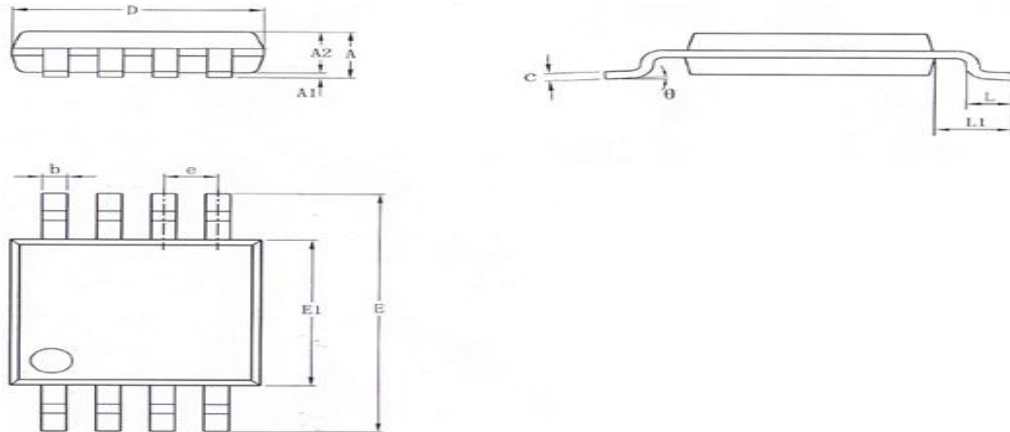
Symbol	Dimensions In Millimeters		Dimensions In Inches	
	Min	Max	Min	Max
A	1.370	1.670	0.056	0.068
A1	0.070	0.170	0.003	0.007
A2	1.300	1.500	0.053	0.061
b	0.306	0.506	0.013	0.021
C	0.203 typ.		0.008 typ.	
D	4.700	5.100	0.192	0.208
E	3.820	4.020	0.156	0.164
E1	5.800	6.200	0.237	0.253
e	1.270 typ.		0.050 typ.	
L	0.450	0.750	0.018	0.306
θ	0°	8°	0°	8°

### SOP-14



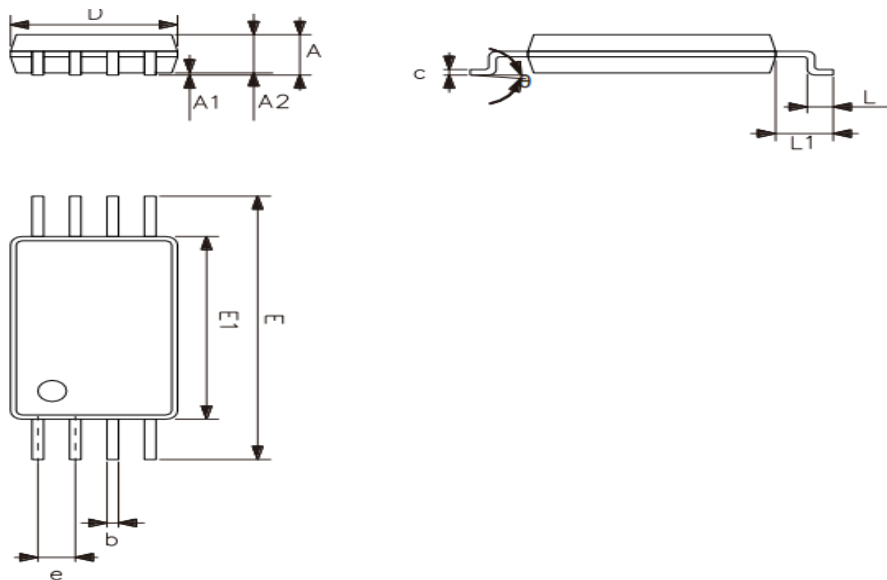
Symbol	Dimensions In Millimeters		Dimensions In Inches	
	Min	Max	Min	Max
A	1.450	1.850	0.059	0.076
A1	0.100	0.300	0.004	0.012
A2	1.350	1.550	0.055	0.063
A3	0.550	0.750	0.022	0.031
b	0.406typ.		0.017typ.	
C	0.203typ.		0.008typ.	
D	8.630	8.830	0.352	0.360
E	5.840	6.240	0.238	0.255
E1	3.850	4.050	0.157	0.165
e	1.270 typ.		0.050 typ.	
L1	1.040 ref.		0.041 ref.	
L	0.350	0.750	0.014	0.031
θ	2°	8°	2°	8°

MSOP-8



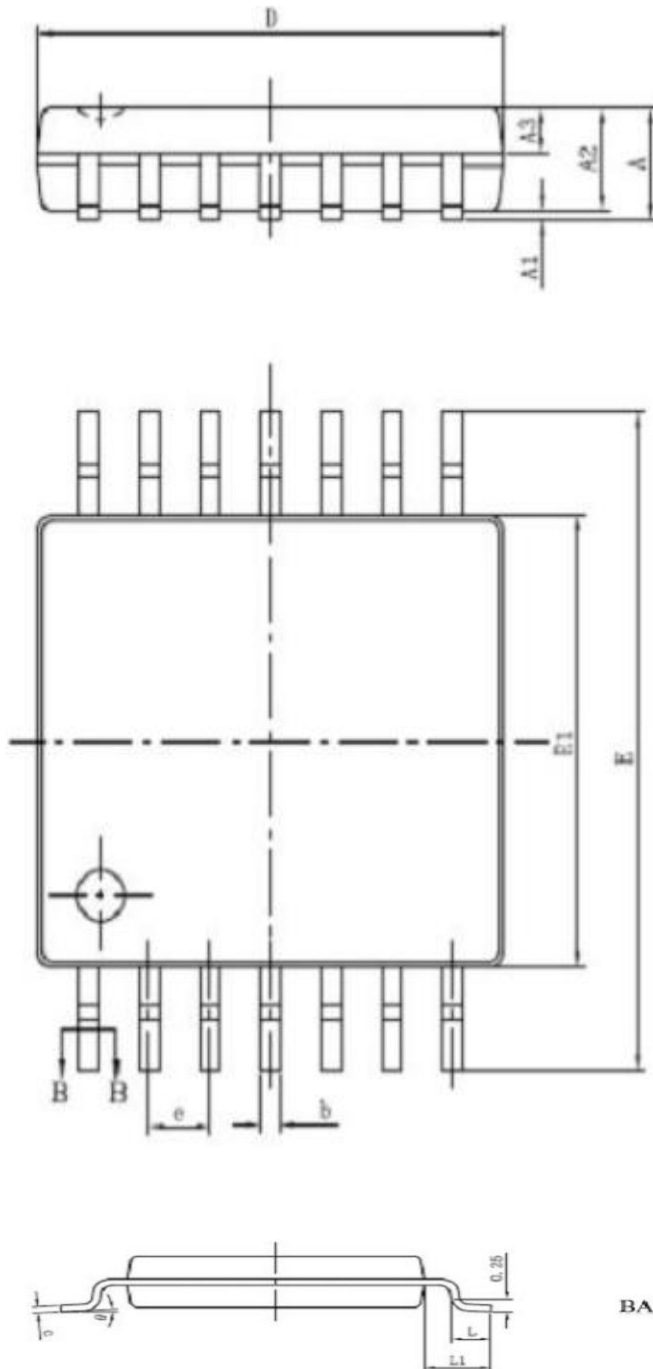
符号	尺寸 (mm)	
	最小	最大
A	—	1.10
A1	0.05	0.15
A2	0.75	0.95
b	0.22	0.38
c	0.08	0.23
D	2.90	3.10
E	4.70	5.10
E1	2.90	3.10
e	0.65	
L	0.40	0.80
L1	0.95	
θ	0°	8°

TSSOP-8

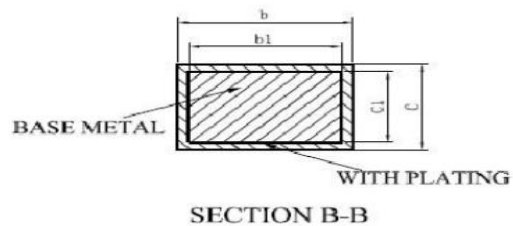


符号	尺寸 (mm)	
	最小	最大
A	—	1.20
A1	0.05	0.15
A2	0.80	1.05
b	0.19	0.30
c	0.09	0.20
D	2.90	3.10
E1	4.30	4.50
E	6.20	6.60
e	0.65	
L	0.45	0.75
L1	1.00	
θ	0°	8°

TSSOP-14



SYMBOL	MILLIMETER	
	MIN	MAX
A	—	1.20
A1	0.05	0.15
A2	0.90	1.05
A3	0.39	0.49
b	0.20	0.30
b1	0.19	0.25
c	0.13	0.19
c1	0.12	0.14
D	4.86	5.06
E1	4.30	4.50
E	6.20	6.60
e	0.65BSC	
L	0.45	0.75
L1	1.00BSC	
θ	0	8°



Statement:

- ◇ Shenzhen xinbole electronics co., ltd. reserves the right to change the product specifications, without notice! Before placing an order, the customer needs to confirm whether the information obtained is the latest version, and verify the integrity of the relevant information.
- ◇ Any semiconductor product is liable to fail or malfunction under certain conditions, and the buyer shall be responsible for complying with safety standards in the system design and whole machine manufacturing using Shenzhen xinbole electronics co., ltd products, and take appropriate security measures to avoid the potential risk of failure may result in personal injury or property losses of the situation occurred!
- ◇ Product performance is never ending, Shenzhen xinbole electronics co., ltd will be dedicated to provide customers with better performance, better quality of integrated circuit products.

## X-ON Electronics

Largest Supplier of Electrical and Electronic Components

*Click to view similar products for [Operational Amplifiers - Op Amps](#) category:*

*Click to view products by [XBLW](#) manufacturer:*

Other Similar products are found below :

[430227FB](#) [LT1678IS8](#) [058184EB](#) [NCV33202DMR2G](#) [NJM324E](#) [M38510/13101BPA](#) [NTE925](#) [AZV358MTR-G1](#) [AP4310AUMTR-AG1](#)  
[AZV358MMTR-G1](#) [SCY33178DR2G](#) [NCV20034DR2G](#) [NTE778S](#) [NTE871](#) [NTE937](#) [NJU7057RB1-TE2](#) [SCY6358ADR2G](#)  
[NJM2904CRB1-TE1](#) [UPC4570G2-E1-A](#) [UPC4741G2-E1-A](#) [UPC4574GR-9LG-E1-A](#) [NJM8532RB1-TE1](#) [EL2250CS](#) [EL5100IS](#) [EL5104IS](#)  
[EL5127CY](#) [EL5127CYZ](#) [EL5133IW](#) [EL5152IS](#) [EL5156IS](#) [EL5162IS](#) [EL5202IY](#) [EL5203IY](#) [EL5204IY](#) [EL5210CS](#) [EL5210CYZ](#)  
[EL5211IYE](#) [EL5220CY](#) [EL5223CLZ](#) [EL5223CR](#) [EL5224ILZ](#) [EL5227CLZ](#) [EL5227CRZ](#) [EL5244CS](#) [EL5246CS](#) [EL5246CSZ](#) [EL5250IY](#)  
[EL5251IS](#) [EL5257IS](#) [EL5260IY](#)