

螺栓式汽车保险丝座

MIDI FUSEHOLDER

电器特性 Electrical: MAX 200A 60V dc

应用温度 Application temperatures: -40°C to +125°C

适用孔径 Fuse Mounting: M5 Threaded Stud and Hex Nuts

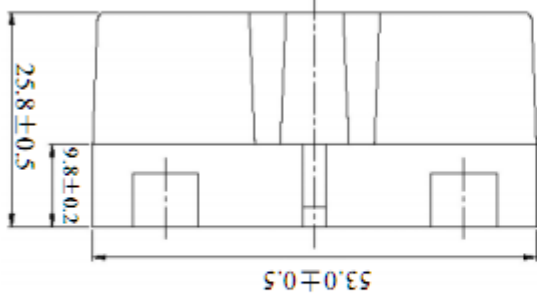
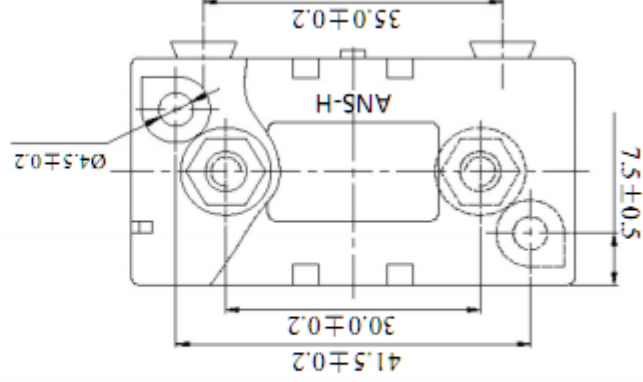
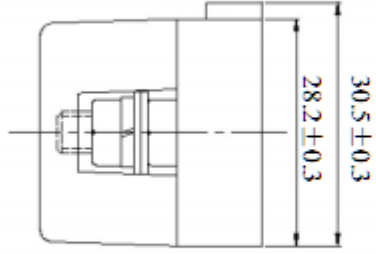
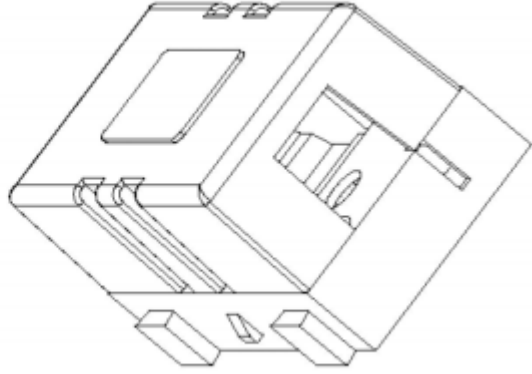
螺杆扭力 Torque Requirements: M5 Nut 4.5 ± 1Newton meters

螺柱材质 Material: 不锈钢 Pig iron nickel plating

绝缘体材质 Insulator material: 尼龙 PA66

尺寸单位 Dimensionless Units: mm

尺寸公差 Dimension Tolerance: ±0.25



A0	VER	MODIFICATION		DRAW	DATE	.XXX ±0.03	.XXX° ±0.5°	VIEW	Φ	PART. NO.	ANS-H	DWG NO.	009
						.XX ±0.08	.XX° ±1°	APPD		PRODUCT NAME	螺栓式汽车保险丝座	SCALE	1:1
						.X ±0.20	.X° ±2°	CHKD		CONNECTORS XFCN CONNECTORS CO., LTD.	UNITS	mm	
						X. ±0.30	X° ±5°	DRAWN	CK tan	XFCN兴飞连接器有限公司	DATE	2010.4.12	
TOLERANCE UNLESS OTHERWISE													

A B C D E F G

A B C D E F G

1 2 3 4 5 6 7 8 9 10

1 2 3 4 5 6 7 8 9 10

X-ON Electronics

Largest Supplier of Electrical and Electronic Components

Click to view similar products for [Fuse Holders](#) category:

Click to view products by [XFCN](#) manufacturer:

Other Similar products are found below :

[ANS-H](#) [PTF-15](#) [PTF-77](#) [XF-003](#) [XF-007](#) [XF-008](#) [XF-101](#) [XF-505P](#)