

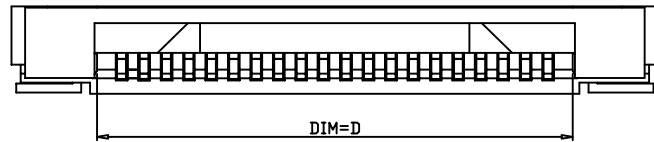
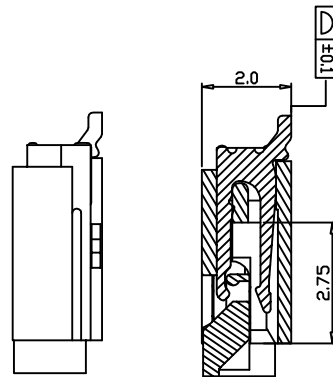
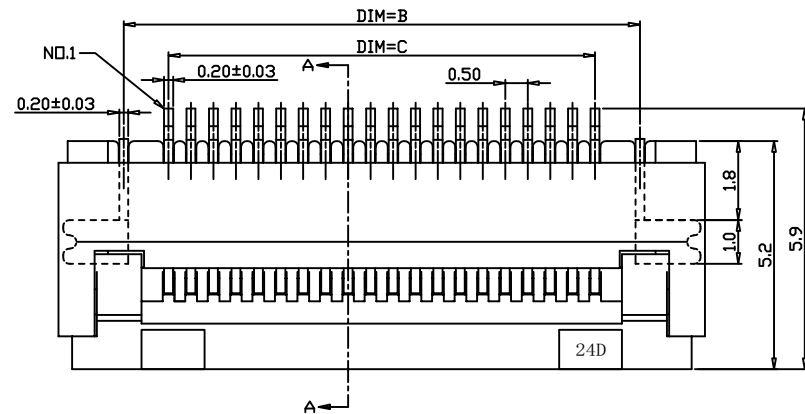
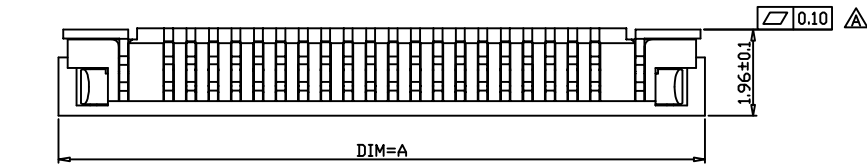
Electrical Characteristics:

Current rating: 0.4A AC/DC
 Voltage rating: 50V AC/DC
 Temperature range: -25°C~+85°C
 Withstand Voltage: 200V AC/Minute
 Contact Resistance: ≤ 20mΩ
 Insulation resistance: 500mΩ
 Relative Humidity: 93%+40°C

Material Description:

Terminal: Phosphor Bronze Tin-Plated
 Fitting Nail: Brass Tin-plated
 Housing: Thermoplastic(UL94V-0)
 Slider: Thermoplastic(UL94V-0)

PIN数	DIM=A	DIM=B	DIM=C	DIM=D	PIN数	DIM=A	DIM=B	DIM=C	DIM=D
60P	34.40	31.50	29.50	30.60	32P	20.40	17.50	15.50	16.60
59P	33.90	31.00	29.00	30.10	31P	19.90	17.00	15.00	16.10
58P	33.40	30.50	28.50	29.60	30P	19.40	16.50	14.50	15.60
57P	32.90	30.00	28.00	29.10	29P	18.90	16.00	14.00	15.10
56P	32.40	29.50	27.50	28.60	28P	18.40	15.50	13.50	14.60
55P	31.90	29.00	27.00	28.10	27P	17.90	15.00	13.00	14.10
54P	31.40	28.50	26.50	27.60	26P	17.40	14.50	12.50	13.60
53P	30.90	28.00	26.00	27.10	25P	16.90	14.00	12.00	13.10
52P	30.40	27.50	25.50	26.60	24P	16.40	13.50	11.50	12.60
51P	29.90	27.00	25.00	26.10	23P	15.90	13.00	11.00	12.10
50P	29.40	26.50	24.50	25.60	22P	15.40	12.50	10.50	11.60
49P	28.90	26.00	24.00	25.10	21P	14.90	12.00	10.00	11.10
48P	28.40	25.50	23.50	24.60	20P	14.40	11.50	9.50	10.60
47P	27.90	25.00	23.00	24.10	19P	13.90	11.00	9.00	10.10
46P	27.40	24.50	22.50	23.60	18P	13.40	10.50	8.50	9.60
45P	26.90	24.00	22.00	23.10	17P	12.90	10.00	8.00	9.10
44P	26.40	23.50	21.50	22.60	16P	12.40	9.50	7.50	8.60
43P	25.90	23.00	21.00	22.10	15P	11.90	9.00	7.00	8.10
42P	25.40	22.50	20.50	21.60	14P	11.40	8.50	6.50	7.60
41P	24.90	22.00	20.00	21.10	13P	10.90	8.00	6.00	7.10
40P	24.40	21.50	19.50	20.60	12P	10.40	7.50	5.50	6.60
39P	23.90	21.00	19.00	20.10	11P	9.90	7.00	5.00	6.10
38P	23.40	20.50	18.50	19.60	10P	9.40	6.50	4.50	5.60
37P	22.90	20.00	18.00	19.10	9P	8.90	6.00	4.00	5.10
36P	22.40	19.50	17.50	18.60	8P	8.40	5.50	3.50	4.60
35P	21.90	19.00	17.00	18.10	7P	7.90	5.00	3.00	4.10
34P	21.40	18.50	16.50	17.60	6P	7.40	4.50	2.50	3.60
33P	20.90	18.00	16.00	17.10	4P	6.40	3.50	1.50	2.60



				TOLERANCE UNLESS OTHERWISE		DRAWN	CK tan	XFCN兴飞连接器有限公司 CONNECTORS XFCN CONNECTORS CO., LTD.		SHEET	1/1
				X.	±0.30	X°	±5°			CHKD	DATE
				.X	±0.20	.X°	±2°	APPD	PRODUCT NAME	FPC 0.50mm Connectors	
				.XX	±0.08	.XX°	±1°	VIEW	PART. NO.	F0502-B-XX-20T	
				.XXX	±0.03	.XXX°	±0.5°			SCALE	1:1
AO	MODIFICATION	DRAW	DATE					DWG NO.	'009		

X-ON Electronics

Largest Supplier of Electrical and Electronic Components

Click to view similar products for [FFC & FPC Connectors](#) category:

Click to view products by [XFCN](#) manufacturer:

Other Similar products are found below :

[00-6200-227-022-800](#) [006205250500825+](#) [006205280500825+](#) [FPH-1602G](#) [FPH-2022G](#) [52610-1275](#) [501864-3091-TR225](#)
[086222026001800](#) [52610-0675](#) [62674-201121DLF](#) [62684-36210E9ALF](#) [52746-1671-TR250](#) [10051922-2810EHLF](#) [686322124422](#) [XF3M-](#)
[2915-1B-R100](#) [AYF353125A](#) [AYF530665TA](#) [AYF534065TA](#) [AYF351525](#) [086212040340800+](#) [AYF530365TA](#) [67000-004LF](#)
[006207341915000+](#) [207356-1](#) [67000-003LF](#) [HFW14R-2STE9LF](#) [SFW12R-5STE9LF](#) [SFW18R-1STAE9LF](#) [SFW4R-5STE9LF](#) [52807-0430](#)
[046283021002868+](#) [502250-8027](#) [104267-9617](#) [66987-011LF](#) [HFW8S-2STAE1HLF](#) [67000-008LF](#) [HFW22R-2STE1H1LF](#) [0781271110](#)
[5019511030](#) [200528-0260](#) [5039084120](#) [503908-5120](#) [SFW20R-1STGE5LF](#) [FH12-18S-0.5SH](#) [686116183522](#) [FH64MA-11S-0.25SHW](#)
[686114183522](#) [502078-5362](#) [FH52K-68S-0.5SH](#) [FH26W-23S-0.3SHW\(60\)](#)