

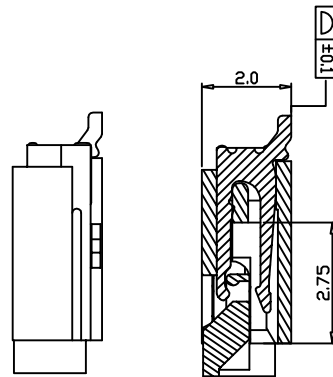
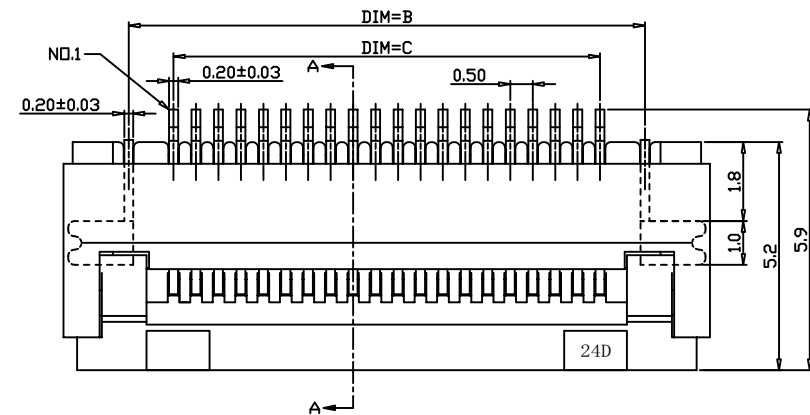
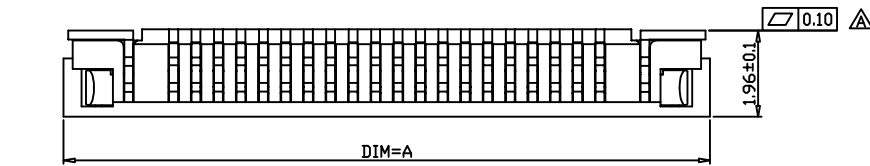
Electrical Characteristics:

Current rating: 0.4A AC/DC  
 Voltage rating: 50V AC/DC  
 Temperature range: -25°C~+85°C  
 Withstand Voltage: 200V AC/Minute  
 Contact Resistance: ≤ 20mΩ  
 Insulation resistance: 500mΩ  
 Relative Humidity: 93%+40°C

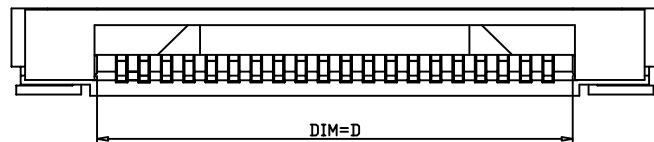
Material Description:

Terminal: Phosphor Bronze Tin-Plated  
 Fitting Nail: Brass Tin-plated  
 Housing: Thermoplastic(UL94V-0)  
 Slider: Thermoplastic(UL94V-0)

| PIN数 | DIM=A | DIM=B | DIM=C | DIM=D | PIN数 | DIM=A | DIM=B | DIM=C | DIM=D |
|------|-------|-------|-------|-------|------|-------|-------|-------|-------|
| 60P  | 34.40 | 31.50 | 29.50 | 30.60 | 32P  | 20.40 | 17.50 | 15.50 | 16.60 |
| 59P  | 33.90 | 31.00 | 29.00 | 30.10 | 31P  | 19.90 | 17.00 | 15.00 | 16.10 |
| 58P  | 33.40 | 30.50 | 28.50 | 29.60 | 30P  | 19.40 | 16.50 | 14.50 | 15.60 |
| 57P  | 32.90 | 30.00 | 28.00 | 29.10 | 29P  | 18.90 | 16.00 | 14.00 | 15.10 |
| 56P  | 32.40 | 29.50 | 27.50 | 28.60 | 28P  | 18.40 | 15.50 | 13.50 | 14.60 |
| 55P  | 31.90 | 29.00 | 27.00 | 28.10 | 27P  | 17.90 | 15.00 | 13.00 | 14.10 |
| 54P  | 31.40 | 28.50 | 26.50 | 27.60 | 26P  | 17.40 | 14.50 | 12.50 | 13.60 |
| 53P  | 30.90 | 28.00 | 26.00 | 27.10 | 25P  | 16.90 | 14.00 | 12.00 | 13.10 |
| 52P  | 30.40 | 27.50 | 25.50 | 26.60 | 24P  | 16.40 | 13.50 | 11.50 | 12.60 |
| 51P  | 29.90 | 27.00 | 25.00 | 26.10 | 23P  | 15.90 | 13.00 | 11.00 | 12.10 |
| 50P  | 29.40 | 26.50 | 24.50 | 25.60 | 22P  | 15.40 | 12.50 | 10.50 | 11.60 |
| 49P  | 28.90 | 26.00 | 24.00 | 25.10 | 21P  | 14.90 | 12.00 | 10.00 | 11.10 |
| 48P  | 28.40 | 25.50 | 23.50 | 24.60 | 20P  | 14.40 | 11.50 | 9.50  | 10.60 |
| 47P  | 27.90 | 25.00 | 23.00 | 24.10 | 19P  | 13.90 | 11.00 | 9.00  | 10.10 |
| 46P  | 27.40 | 24.50 | 22.50 | 23.60 | 18P  | 13.40 | 10.50 | 8.50  | 9.60  |
| 45P  | 26.90 | 24.00 | 22.00 | 23.10 | 17P  | 12.90 | 10.00 | 8.00  | 9.10  |
| 44P  | 26.40 | 23.50 | 21.50 | 22.60 | 16P  | 12.40 | 9.50  | 7.50  | 8.60  |
| 43P  | 25.90 | 23.00 | 21.00 | 22.10 | 15P  | 11.90 | 9.00  | 7.00  | 8.10  |
| 42P  | 25.40 | 22.50 | 20.50 | 21.60 | 14P  | 11.40 | 8.50  | 6.50  | 7.60  |
| 41P  | 24.90 | 22.00 | 20.00 | 21.10 | 13P  | 10.90 | 8.00  | 6.00  | 7.10  |
| 40P  | 24.40 | 21.50 | 19.50 | 20.60 | 12P  | 10.40 | 7.50  | 5.50  | 6.60  |
| 39P  | 23.90 | 21.00 | 19.00 | 20.10 | 11P  | 9.90  | 7.00  | 5.00  | 6.10  |
| 38P  | 23.40 | 20.50 | 18.50 | 19.60 | 10P  | 9.40  | 6.50  | 4.50  | 5.60  |
| 37P  | 22.90 | 20.00 | 18.00 | 19.10 | 9P   | 8.90  | 6.00  | 4.00  | 5.10  |
| 36P  | 22.40 | 19.50 | 17.50 | 18.60 | 8P   | 8.40  | 5.50  | 3.50  | 4.60  |
| 35P  | 21.90 | 19.00 | 17.00 | 18.10 | 7P   | 7.90  | 5.00  | 3.00  | 4.10  |
| 34P  | 21.40 | 18.50 | 16.50 | 17.60 | 6P   | 7.40  | 4.50  | 2.50  | 3.60  |
| 33P  | 20.90 | 18.00 | 16.00 | 17.10 | 4P   | 6.40  | 3.50  | 1.50  | 2.60  |



SECTION A-A



|    |              |  |      |                            |       |       |        |                                                              |              |                       |      |
|----|--------------|--|------|----------------------------|-------|-------|--------|--------------------------------------------------------------|--------------|-----------------------|------|
|    |              |  |      | TOLERANCE UNLESS OTHERWISE |       | DRAWN | CK tan | <b>XFCN兴飞连接器有限公司</b><br>CONNECTORS XFCN CONNECTORS CO., LTD. |              | SHEET                 | 1/1  |
|    |              |  |      | X.                         | ±0.30 | X°    | ±5°    |                                                              |              | CHKD                  | DATE |
|    |              |  |      | .X                         | ±0.20 | .X°   | ±2°    | APPD                                                         | PRODUCT NAME | FPC 0.50mm Connectors |      |
|    |              |  |      | .XX                        | ±0.08 | .XX°  | ±1°    | VIEW                                                         | PART. NO.    | F0502-B-XX-20T        |      |
|    |              |  |      | .XXX                       | ±0.03 | .XXX° | ±0.5°  |                                                              |              | SCALE                 | 1:1  |
| AO | MODIFICATION |  | DRAW | DATE                       |       |       |        |                                                              | DWG NO.      | '009                  |      |

## X-ON Electronics

Largest Supplier of Electrical and Electronic Components

*Click to view similar products for [FFC & FPC Connectors](#) category:*

*Click to view products by [XFCN](#) manufacturer:*

Other Similar products are found below :

[HFW11R-1STE1H1LF](#) [FH29B-100S-0.2SHW\(99\)](#) [FA5S008HP1](#) [FH29B-120S-0.2SHW\(99\)](#) [FH29B-80S-0.2SHW\(99\)](#) [FHS-16](#) [FPH-2022G](#)  
[52610-1075](#) [52610-1275](#) [52610-1934](#) [XF3M\(1\)-1415-1B-R100](#) [501864-3091-TR225](#) [0525594033](#) [086210010340800](#) [086222026001800](#)  
[52271-2869-CUT-TAPE](#) [62674-201121DLF](#) [62684-36210E9ALF](#) [52610-1675](#) [52746-1671-TR250](#) [10051922-2810EHLF](#) [6-520415-9](#)  
[BD021-09A-A1-0350-0200-0550-LD](#) [SFV6R-1STE9HLF](#) [XF3M-2915-1B-R100](#) [1658549-1](#) [62674-221121ALF](#) [46214008010800](#)  
[046298003000883](#) [151660622](#) [842-816-2630-035](#) [AYF530665TA](#) [AYF351525](#) [046296011930846+](#) [AYF352325A](#) [046254020000800+](#)  
[FH19C-13S-0.5SH\(99\)](#) [FH39J-51S-0.3SHW\(99\)](#) [AYF355125A](#) [AYF530365TA](#) [FH29B-44S-0.2SHW\(99\)](#) [SFW5R-2STAE9LF](#) [AYF351125A](#)  
[AYF350725A](#) [62684-502100AHLF](#) [FH39-61S-0.3SHW\(99\)](#) [AYF414035A](#) [10064555-172520HLF](#) [AYF212335A](#) [504754-2500](#)