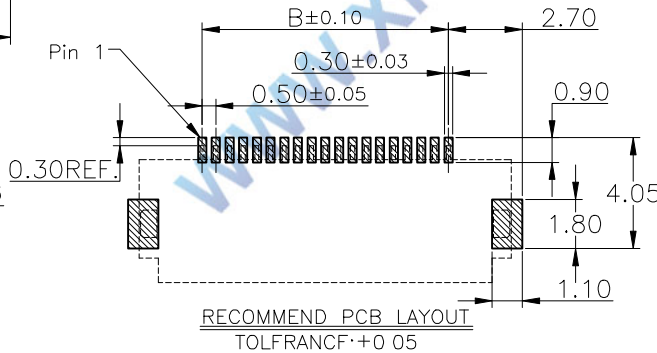
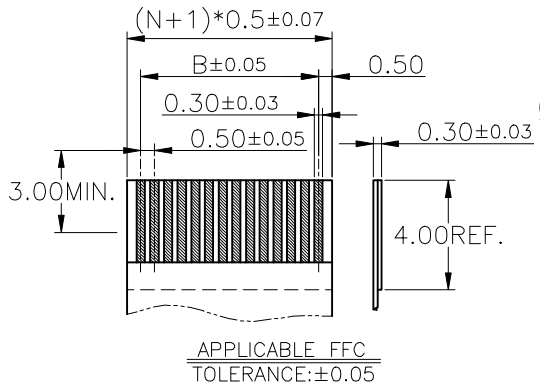
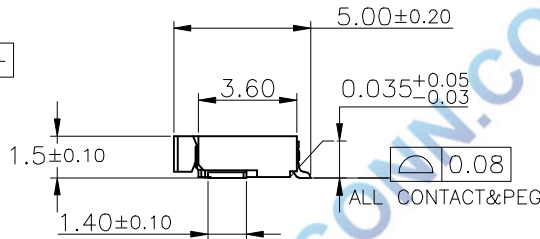
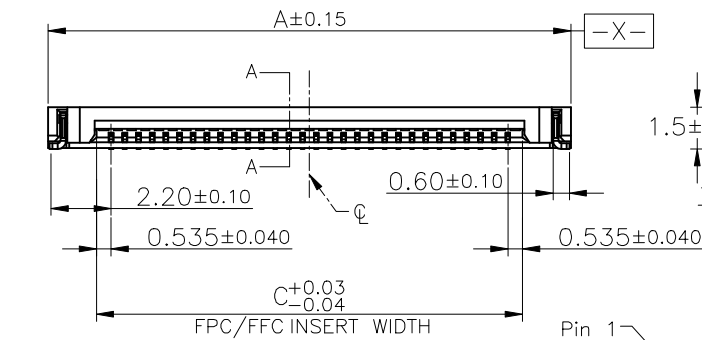


F0502-B-xx-15T-x
 R=卷装 无=管装
 T=镀锡 G=镀金
 Pin位数
 B=下接

Electrical Characteristics:
 Current rating: 0.4A AC/DC
 Voltage rating: 50V AC/DC
 Temperature range: -25°C~+85°C
 Withstand Voltage: 200V AC/Minute
 Contact Resistance: ≤ 20mΩ
 Insulation resistance: ≥ 500mΩ
 Relative Humidity: 93%+40°C

Material Description:
 Terminal: Phosphor Bronze Tin-Plated
 Fitting Nail: Brass Tin-plated
 Housing: Thermoplastic(UL94V-0)
 Slider: Thermoplastic(UL94V-0)



| PIN数 | DIM=A | DIM=B | DIM=C | PIN数 | DIM=A | DIM=B | DIM=C |
|------|-------|-------|-------|------|-------|-------|-------|
| 60 | 34.10 | 29.50 | 30.57 | 31 | 19.60 | 15.00 | 16.07 |
| 59 | 33.60 | 29.00 | 30.07 | 30 | 19.10 | 14.50 | 15.57 |
| 58 | 33.10 | 28.50 | 29.57 | 29 | 18.60 | 14.00 | 15.07 |
| 57 | 32.60 | 28.00 | 29.07 | 28 | 18.10 | 13.50 | 14.57 |
| 56 | 32.10 | 27.50 | 28.57 | 27 | 17.60 | 13.00 | 14.07 |
| 55 | 31.60 | 27.00 | 28.07 | 26 | 17.10 | 12.50 | 13.57 |
| 54 | 31.10 | 26.50 | 27.57 | 25 | 16.60 | 12.00 | 13.07 |
| 53 | 30.60 | 26.00 | 27.07 | 24 | 16.10 | 11.50 | 12.57 |
| 52 | 30.10 | 25.50 | 26.57 | 23 | 15.60 | 11.00 | 12.07 |
| 51 | 29.60 | 25.00 | 26.07 | 22 | 15.10 | 10.50 | 11.57 |
| 50 | 29.10 | 24.50 | 25.57 | 21 | 14.60 | 10.00 | 11.07 |
| 49 | 28.60 | 24.00 | 25.07 | 20 | 14.10 | 9.50 | 10.57 |
| 48 | 28.10 | 23.50 | 24.57 | 19 | 13.60 | 9.00 | 10.07 |
| 47 | 27.60 | 23.00 | 24.07 | 18 | 13.10 | 8.50 | 9.57 |
| 46 | 27.10 | 22.50 | 23.57 | 17 | 12.60 | 8.00 | 9.07 |
| 45 | 26.60 | 22.00 | 23.07 | 16 | 12.10 | 7.50 | 8.57 |
| 44 | 26.10 | 21.50 | 22.57 | 15 | 11.60 | 7.00 | 8.07 |
| 43 | 25.60 | 21.00 | 22.07 | 14 | 11.10 | 6.50 | 7.57 |
| 42 | 25.10 | 20.50 | 21.57 | 13 | 10.60 | 6.00 | 7.07 |
| 41 | 24.60 | 20.00 | 21.07 | 12 | 10.10 | 5.50 | 6.57 |
| 40 | 24.10 | 19.50 | 20.57 | 11 | 9.60 | 5.00 | 6.07 |
| 39 | 23.60 | 19.00 | 20.07 | 10 | 9.10 | 4.50 | 5.57 |
| 38 | 23.10 | 18.50 | 19.57 | 9 | 8.60 | 4.00 | 5.07 |
| 37 | 22.60 | 18.00 | 19.07 | 8 | 8.10 | 3.50 | 4.57 |
| 36 | 22.10 | 17.50 | 18.57 | 7 | 7.60 | 3.00 | 4.07 |
| 35 | 21.60 | 17.00 | 18.07 | 6 | 7.10 | 2.50 | 3.57 |
| 34 | 21.10 | 16.50 | 17.57 | 5 | 6.60 | 2.00 | 3.07 |
| 33 | 20.60 | 16.00 | 17.07 | 4 | 6.10 | 1.50 | 2.57 |
| 32 | 20.10 | 15.50 | 16.57 | | | | |

| VER | MODIFICATION | DATE | DRAW | TOLERANCE UNLESS OTHERWISE | VIEW | CK tan |
|-----|--------------|------|------|----------------------------|------|--------|
| A0 | | | | X. ±0.30 X° ±5° | ⊕ | DRAWN |
| | | | | .X ±0.20 .X° ±2° | | CHKD |
| | | | | .XX ±0.08 .XX° ±1° | | APPD |
| | | | | .XXX ±0.03 .XXX° ±0.5° | | VIEW |

| | | | |
|---|-----------------------|----------|-------------|
| XFCN兴飞连接器有限公司 CONNECTORS XFCN CONNECTORS CO., LTD. | | SHEET | 1/1 |
| | | DATE | 2010. 4. 12 |
| PRODUCT NAME | FPC 0.50mm Connectors | UNITS | mm |
| PART. NO. | F0502-B-XX-15T | SCALE | 1:1 |
| | | DWG. NO. | 009 |

X-ON Electronics

Largest Supplier of Electrical and Electronic Components

Click to view similar products for [FFC & FPC Connectors](#) category:

Click to view products by [XFCN](#) manufacturer:

Other Similar products are found below :

[00-6200-227-022-800](#) [006205250500825+](#) [006205280500825+](#) [FPH-1602G](#) [FPH-2022G](#) [52610-1275](#) [501864-3091-TR225](#)
[086222026001800](#) [52610-0675](#) [62674-201121DLF](#) [62684-36210E9ALF](#) [52746-1671-TR250](#) [10051922-2810EHLF](#) [686322124422](#) [XF3M-](#)
[2915-1B-R100](#) [AYF353125A](#) [AYF530665TA](#) [AYF534065TA](#) [AYF351525](#) [086212040340800+](#) [AYF530365TA](#) [67000-004LF](#)
[006207341915000+](#) [207356-1](#) [67000-003LF](#) [HFW14R-2STE9LF](#) [SFW12R-5STE9LF](#) [SFW18R-1STAE9LF](#) [SFW4R-5STE9LF](#) [52807-0430](#)
[046283021002868+](#) [502250-8027](#) [104267-9617](#) [66987-011LF](#) [HFW8S-2STAE1HLF](#) [67000-008LF](#) [HFW22R-2STE1H1LF](#) [0781271110](#)
[5019511030](#) [200528-0260](#) [5039084120](#) [503908-5120](#) [SFW20R-1STGE5LF](#) [FH12-18S-0.5SH](#) [686116183522](#) [FH64MA-11S-0.25SHW](#)
[686114183522](#) [502078-5362](#) [FH52K-68S-0.5SH](#) [FH26W-23S-0.3SHW\(60\)](#)