

环保物料

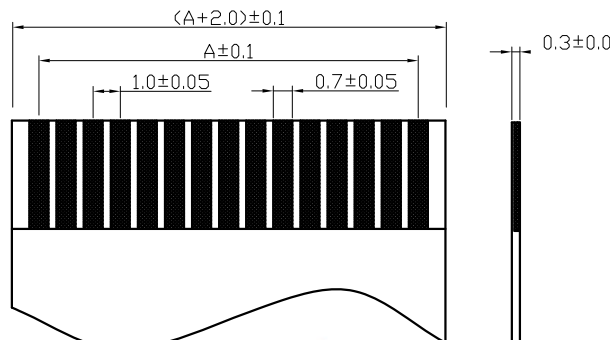
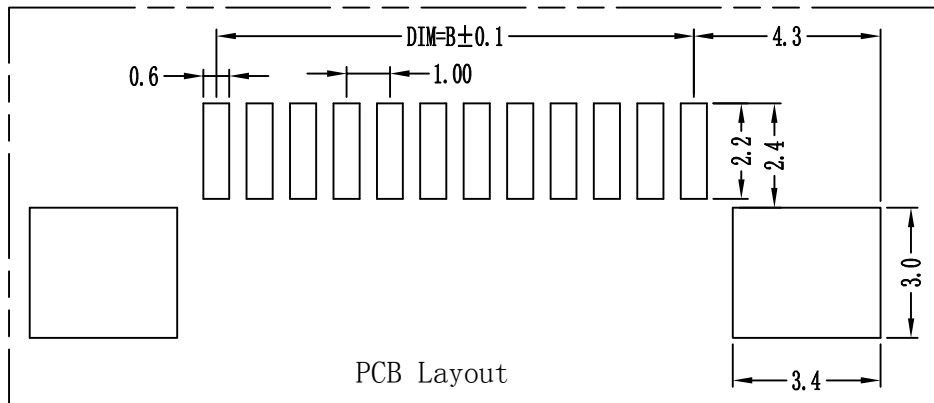
TEL: 0769-82001899

Electrical Characteristics:  
 Current rating: 0.5A AC/DC  
 Voltage rating: 50V AC/DC  
 Temperature range: -25°C~+85°C  
 Withstand Voltage: 500V AC/Minute  
 Contact Resistance: ≤ 20mΩ  
 Insulation resistance: ≥ 800mΩ  
 Relative Humidity: 93%+40°C

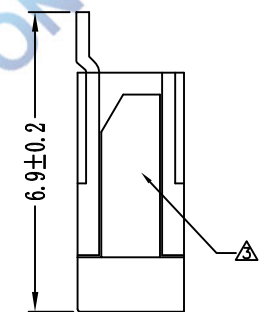
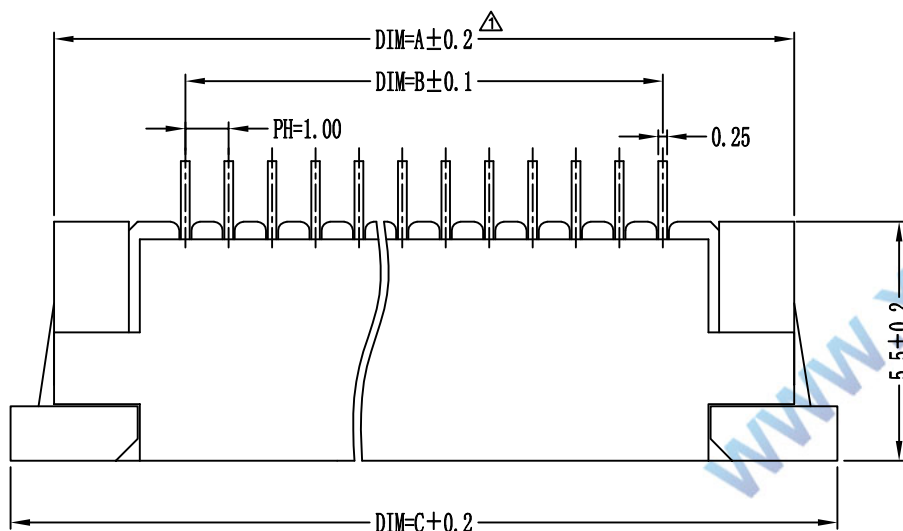
Material Description:  
 Contact: Phosphor Bronze Tin-Leadplated  
 Solder Tab: Phosphor Bronze Tin-plated  
 Housing: Thermoplastic(UL94V-0)  
 Slider: Thermoplastic(UL94V-0)

A  
B  
C  
D  
E  
F  
G

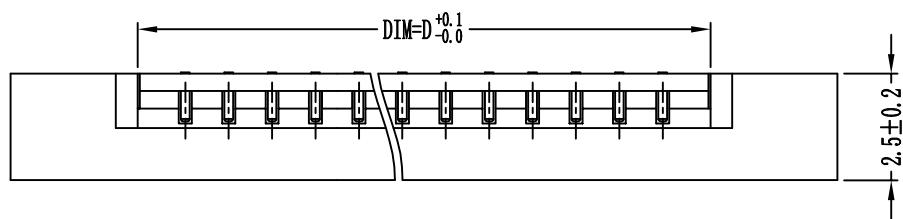
A  
B  
C  
D  
E  
F  
G



适用FPC寸法  
 APPLICABLE FPC



下接触



F1001-B-xx-25T-x

R=卷装 无=管装  
 T=镀锡 G=镀金  
 Pin位数  
 B=下接 T=上接

PIN数	DIM=A	DIM=B	DIM=C	DIM=D
30P	35.1	29.00	37.0	31.10
29P	34.1	28.00	36.0	30.10
28P	33.1	27.00	35.0	29.10
27P	32.1	26.00	34.0	28.10
26P	31.1	25.00	33.0	27.10
25P	30.1	24.00	32.0	26.10
24P	29.1	23.00	31.0	25.10
23P	28.1	22.00	30.0	24.10
22P	27.1	21.00	29.0	23.10
21P	26.1	20.00	28.0	22.10
20P	25.1	19.00	27.0	21.10
19P	24.1	18.00	26.0	20.10
18P	23.1	17.00	25.0	19.10
17P	22.1	16.00	24.0	18.10
16P	21.1	15.00	23.0	17.10
15P	20.1	14.00	22.0	16.10
14P	19.1	13.00	21.0	15.10
13P	18.1	12.00	20.0	14.10
12P	17.1	11.00	19.0	13.10
11P	16.1	10.00	18.0	12.10
10P	15.1	9.00	17.0	11.10
9P	14.1	8.00	16.0	10.10
8P	13.1	7.00	15.0	9.10
7P	12.1	6.00	14.0	8.10
6P	11.1	5.00	13.0	7.10
5P	10.1	4.00	12.0	6.10
4P	9.1	3.00	11.0	5.10

TOLERANCE UNLESS OTHERWISE		DRAWN	CK	tan
X.	±0.30	X°	±5°	
.X	±0.20	.X°	±2°	
.XX	±0.08	.XX°	±1°	
.XXX	±0.03	.XXX°	±0.5°	

DRAWN		CK tan		XFCN兴飞连接器有限公司		SHEET	1/1
CHKD				CONNECTORS XFCN CONNECTORS CO., LTD.		DATE	2010. 4. 12
APPD		PRODUCT NAME		FPC 1.00mm Connectors		UNITS	mm
VIEW		PART. NO.		F1001-B-xx-25T		SCALE	1:1
						DWG. NO.	009

AO  
VER

MODIFICATION DRAW DATE

1 2 3 4 5 6 7 8 9 10

## X-ON Electronics

Largest Supplier of Electrical and Electronic Components

*Click to view similar products for [FFC & FPC Connectors](#) category:*

*Click to view products by [XFCN](#) manufacturer:*

Other Similar products are found below :

[00-6200-227-022-800](#) [006205250500825+](#) [006205280500825+](#) [FPH-1602G](#) [FPH-2022G](#) [52610-1275](#) [501864-3091-TR225](#)  
[086222026001800](#) [52610-0675](#) [62674-201121DLF](#) [62684-36210E9ALF](#) [52746-1671-TR250](#) [10051922-2810EHLF](#) [686322124422](#) [XF3M-](#)  
[2915-1B-R100](#) [AYF353125A](#) [AYF530665TA](#) [AYF534065TA](#) [AYF351525](#) [086212040340800+](#) [AYF530365TA](#) [67000-004LF](#)  
[006207341915000+](#) [207356-1](#) [67000-003LF](#) [HFW14R-2STE9LF](#) [SFW12R-5STE9LF](#) [SFW18R-1STAE9LF](#) [SFW4R-5STE9LF](#) [52807-0430](#)  
[046283021002868+](#) [502250-8027](#) [104267-9617](#) [66987-011LF](#) [HFW8S-2STAE1HLF](#) [67000-008LF](#) [HFW22R-2STE1H1LF](#) [0781271110](#)  
[5019511030](#) [200528-0260](#) [5039084120](#) [503908-5120](#) [SFW20R-1STGE5LF](#) [FH12-18S-0.5SH](#) [686116183522](#) [FH64MA-11S-0.25SHW](#)  
[686114183522](#) [502078-5362](#) [FH52K-68S-0.5SH](#) [FH26W-23S-0.3SHW\(60\)](#)