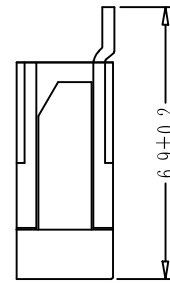
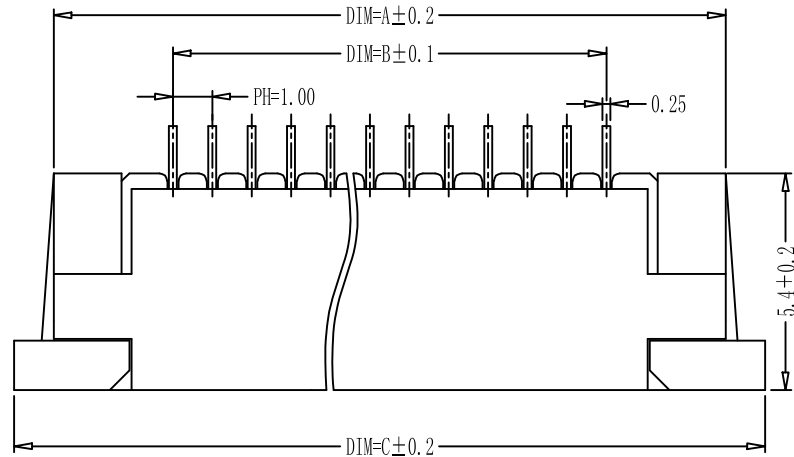


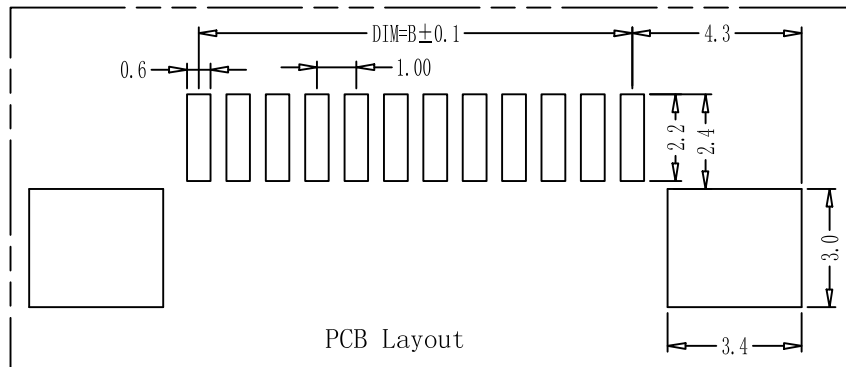
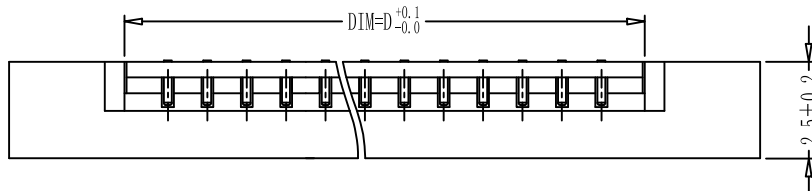
Electrical Characteristics:
 Current rating: 0.4A AC/DC
 Voltage rating: 50V AC/DC
 Temperature range: -25°C ~ +85°C
 Withstand Voltage: 200V AC/Minute
 Contact Resistance: ≤ 20mΩ
 Insulation resistance: ≥ 500mΩ
 Relative Humidity: 93%+40°C

Material Description:
 Terminal: Phosphor Bronze Tin-Leadplated
 Fitting Nail: Brass Tin-plated
 Housing: Thermoplastic(UL94V-0)
 Slider: Thermoplastic(UL94V-0)

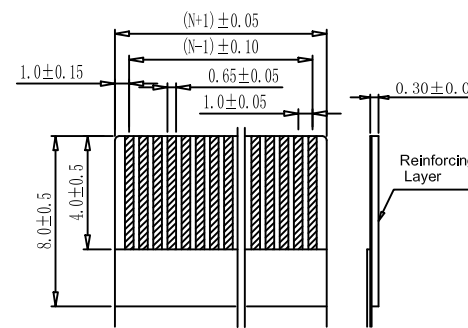
PIN数	DIM=A	DIM=B	DIM=C	DIM=D
30P	35.2	29.00	37.0	31.10
29P	34.2	28.00	36.0	30.10
28P	33.2	27.00	35.0	29.10
27P	32.2	26.00	34.0	28.10
26P	31.2	25.00	33.0	27.10
25P	30.2	24.00	32.0	26.10
24P	29.2	23.00	31.0	25.10
23P	28.2	22.00	30.0	24.10
22P	27.2	21.00	29.0	23.10
21P	26.2	20.00	28.0	22.10
20P	25.2	19.00	27.0	21.10
19P	24.2	18.00	26.0	20.10
18P	23.2	17.00	25.0	19.10
17P	22.2	16.00	24.0	18.10
16P	21.2	15.00	23.0	17.10
15P	20.2	14.00	22.0	16.10
14P	19.2	13.00	21.0	15.10
13P	18.2	12.00	20.0	14.10
12P	17.2	11.00	19.0	13.10
11P	16.2	10.00	18.0	12.10
10P	15.2	9.00	17.0	11.10
9P	14.2	8.00	16.0	10.10
8P	13.2	7.00	15.0	9.10
7P	12.2	6.00	14.0	8.10
6P	11.2	5.00	13.0	7.10
5P	10.2	4.00	12.0	6.10
4P	9.2	3.00	11.0	5.10



上接触



PCB Layout



RECOMMENDED FFC/FPC DIM.

				TOLERANCE UNLESS OTHERWISE		DRAWN	CK tan	XFCN兴飞连接器有限公司 CONNECTORS XFCN CONNECTORS CO., LTD.		SHEET	1/1
				X.	±0.30	X°	±5°			CHKD	DATE
				.X	±0.20	.X°	±2°	APPD	PRODUCT NAME	FPC 1.00mm Connectors	
				.XX	±0.08	.XX°	±1°	VIEW	PART. NO.	F1001-T-XX-25T	
AO	MODIFICATION			DRAW	DATE	.XXX	±0.03	.XXX°	±0.5°	DWG NO.	009

X-ON Electronics

Largest Supplier of Electrical and Electronic Components

Click to view similar products for [FFC & FPC Connectors](#) category:

Click to view products by [XFCN](#) manufacturer:

Other Similar products are found below :

[HFW11R-1STE1H1LF](#) [FH29B-100S-0.2SHW\(99\)](#) [FA5S008HP1](#) [FH29B-120S-0.2SHW\(99\)](#) [FH29B-80S-0.2SHW\(99\)](#) [FHS-16](#) [FPH-2022G](#)
[52610-1075](#) [52610-1275](#) [52610-1934](#) [XF3M\(1\)-1415-1B-R100](#) [501864-3091-TR225](#) [0525594033](#) [086210010340800](#) [086222026001800](#)
[52271-2869-CUT-TAPE](#) [62674-201121DLF](#) [62684-36210E9ALF](#) [52610-1675](#) [52746-1671-TR250](#) [10051922-2810EHLF](#) [6-520415-9](#)
[BD021-09A-A1-0350-0200-0550-LD](#) [SFV6R-1STE9HLF](#) [XF3M-2915-1B-R100](#) [1658549-1](#) [62674-221121ALF](#) [46214008010800](#)
[046298003000883](#) [151660622](#) [842-816-2630-035](#) [AYF530665TA](#) [AYF351525](#) [046296011930846+](#) [AYF352325A](#) [046254020000800+](#)
[FH19C-13S-0.5SH\(99\)](#) [FH39J-51S-0.3SHW\(99\)](#) [AYF355125A](#) [AYF530365TA](#) [FH29B-44S-0.2SHW\(99\)](#) [SFW5R-2STAE9LF](#) [AYF351125A](#)
[AYF350725A](#) [62684-502100AHLF](#) [FH39-61S-0.3SHW\(99\)](#) [AYF414035A](#) [10064555-172520HLF](#) [AYF212335A](#) [504754-2500](#)