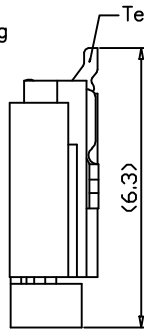
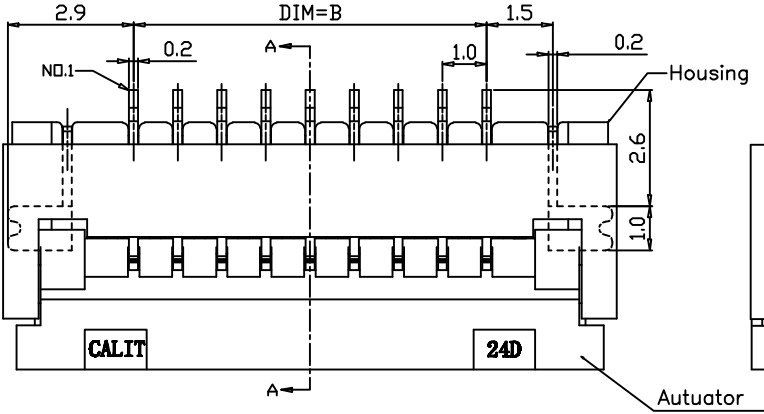
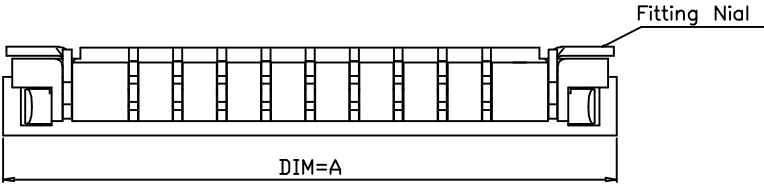
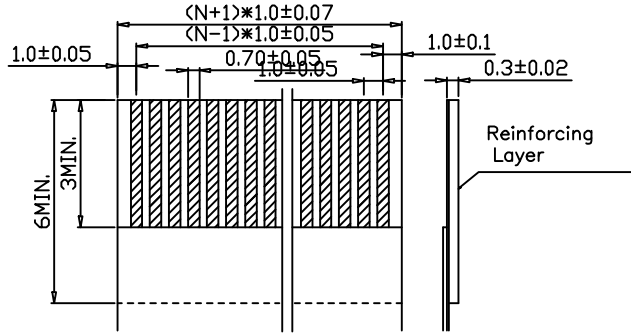


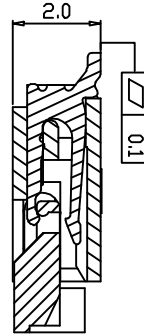
Electrical Characteristics:  
 Current rating: 0.4A AC/DC  
 Voltage rating: 50V AC/DC  
 Temperature range: -25°C~+85°C  
 Withstand Voltage: 200V AC/Minute  
 Contact Resistance: ≤ 30mΩ  
 Insulation resistance: ≥ 500MΩ  
 Relative Humidity: 93%+40°C

Material Description:  
 Terminal: Phosphor Bronze Gold Plated  
 Fitting Nail: Brass Gold Plated  
 Housing: Thermoplastic(UL94V-0)  
 Slider: Thermoplastic(UL94V-0)

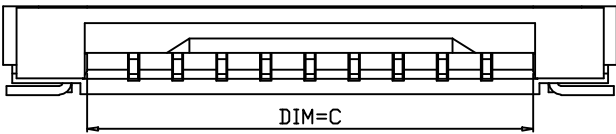
PIN数	DIM=A	DIM=B	DIM=C
4P	8.9	3.00	5.10
5P	9.9	4.0	6.1
6P	10.9	5.0	7.1
7P	11.9	6.0	8.1
8P	12.9	7.0	9.1
9P	13.9	8.0	10.1
10P	14.9	9.0	11.1
11P	15.9	10.0	12.1
12P	16.9	11.0	13.1
13P	17.9	12.0	14.1
14P	18.9	13.0	15.1
15P	19.9	14.0	16.1
16P	20.9	15.0	17.1
17P	21.9	16.0	18.1
18P	22.9	17.0	19.1
19P	23.9	18.0	20.1
20P	24.9	19.0	21.1
21P	25.9	20.0	22.1
22P	26.9	21.0	23.1
23P	27.9	22.0	24.1
24P	28.9	23.0	25.1
25P	29.9	24.0	26.1
26P	30.9	25.0	27.1
27P	31.9	26.0	28.1
28P	32.9	27.0	29.1
29P	33.9	28.0	30.1
30P	34.9	29.0	31.1
31P	35.9	30.0	32.1
32P	36.9	31.0	33.1
33P	37.9	32.0	34.1
34P	38.9	33.0	35.1
35P	39.9	34.0	36.1
36P	40.9	35.0	37.1
37P	41.9	36.0	38.1
38P	42.9	37.0	39.1
39P	43.9	38.0	40.1
40P	44.9	39.0	41.1



RECOMMENDED FFC/FPC DIM.



SECTION A-A



				TOLERANCE UNLESS OTHERWISE		DRAWN	CK tan	<b>XFCN兴飞连接器有限公司</b> CONNECTORS XFCN CONNECTORS CO., LTD.		SHEET	1/1	
				X.	±0.30	X°	±5°			CHKD	DATE	2010.4.12
				.X	±0.20	.X°	±2°	APPD	PRODUCT NAME	FPC 1.00mm Connectors		
				.XX	±0.08	.XX°	±1°	VIEW	PART. NO.	F1002-B-XX-20T	UNITS	mm
AO	MODIFICATION		DATE	.XXX	±0.03	.XXX°	±0.5°				DWG NO.	009

## X-ON Electronics

Largest Supplier of Electrical and Electronic Components

*Click to view similar products for [FFC & FPC Connectors](#) category:*

*Click to view products by [XFCN](#) manufacturer:*

Other Similar products are found below :

[HFW11R-1STE1H1LF](#) [FH29B-100S-0.2SHW\(99\)](#) [FA5S008HP1](#) [FH29B-120S-0.2SHW\(99\)](#) [FH29B-80S-0.2SHW\(99\)](#) [FHS-16](#) [FPH-2022G](#)  
[52610-1075](#) [52610-1275](#) [52610-1934](#) [XF3M\(1\)-1415-1B-R100](#) [501864-3091-TR225](#) [0525594033](#) [086210010340800](#) [086222026001800](#)  
[52271-2869-CUT-TAPE](#) [62674-201121DLF](#) [62684-36210E9ALF](#) [52610-1675](#) [52746-1671-TR250](#) [10051922-2810EHLF](#) [6-520415-9](#)  
[BD021-09A-A1-0350-0200-0550-LD](#) [SFV6R-1STE9HLF](#) [XF3M-2915-1B-R100](#) [1658549-1](#) [62674-221121ALF](#) [46214008010800](#)  
[046298003000883](#) [151660622](#) [842-816-2630-035](#) [AYF530665TA](#) [AYF351525](#) [046296011930846+](#) [AYF352325A](#) [046254020000800+](#)  
[FH19C-13S-0.5SH\(99\)](#) [FH39J-51S-0.3SHW\(99\)](#) [AYF355125A](#) [AYF530365TA](#) [FH29B-44S-0.2SHW\(99\)](#) [SFW5R-2STAE9LF](#) [AYF351125A](#)  
[AYF350725A](#) [62684-502100AHLF](#) [FH39-61S-0.3SHW\(99\)](#) [AYF414035A](#) [10064555-172520HLF](#) [AYF212335A](#) [504754-2500](#)