

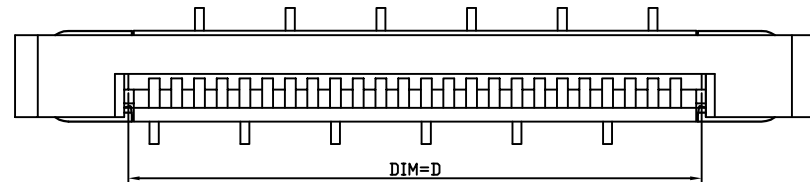
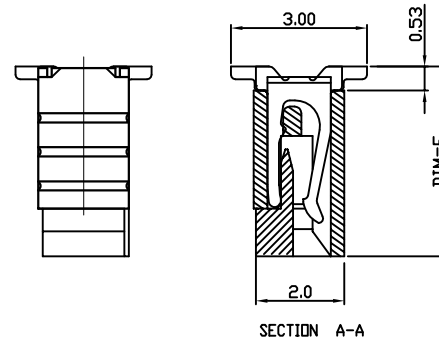
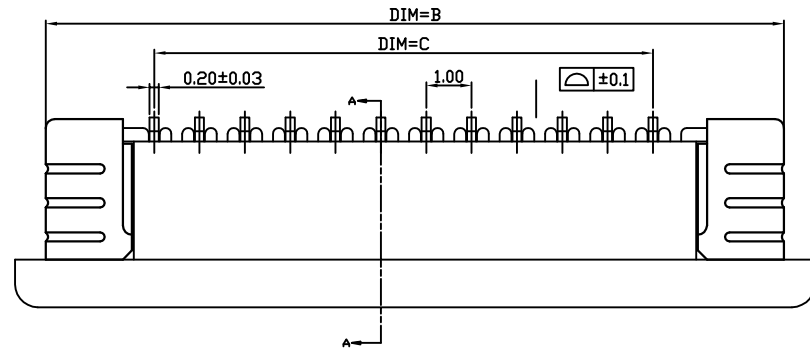
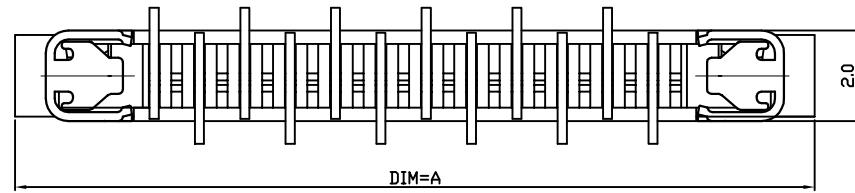
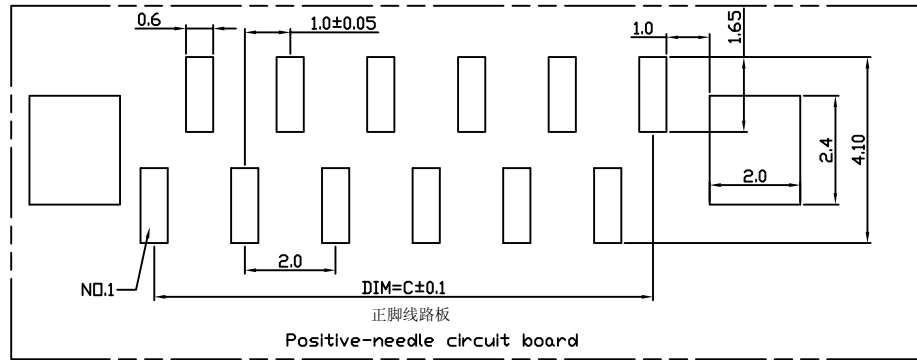
环保物料

TEL: 0769-82001899

Electrical Characteristics:
 Current rating: 0.5A AC/DC
 Voltage rating: 50V AC/DC
 Temperature range: -25°C~+85°C
 Withstand Voltage: 500V AC/Minute
 Contact Resistance: ≤ 20mΩ
 Insulation resistance: ≥ 800mΩ
 Relative Humidity: 93%+40°C

Material Description:
 Terminal: Phosphor Bronze Tin-Leadplated
 Fitting Nail: Brass Tin-plated
 Housing: Thermoplastic(UL94V-0)
 Slider: Thermoplastic(UL94V-0)

PIN数	DIM=A	DIM=B	DIM=C	DIM=D	DIM=E
29P	35.1	34.0	29.00	30.10	4.4
28P	34.1	33.0	28.00	29.10	
27P	33.1	32.0	27.00	28.10	
26P	32.1	31.0	26.00	27.10	
25P	31.1	30.0	25.00	26.10	
24P	30.1	29.0	24.00	25.10	
23P	29.1	28.0	23.00	24.10	
22P	28.1	27.0	22.00	23.10	
21P	27.1	26.0	21.00	22.10	
20P	26.1	25.0	20.00	21.10	
19P	25.1	24.0	19.00	20.10	
18P	24.1	23.0	18.00	19.10	
17P	23.1	22.0	17.00	18.10	
16P	22.1	21.0	16.00	17.10	
15P	21.1	20.0	15.00	16.10	
14P	20.1	19.0	14.00	15.10	
13P	19.1	18.0	13.00	14.10	
12P	18.1	17.0	12.00	13.10	
11P	17.1	16.0	11.00	12.10	
10P	16.1	15.0	10.00	11.10	
9P	15.1	14.0	9.00	10.10	
8P	14.1	13.0	8.00	9.10	
7P	13.1	12.0	7.00	8.10	
6P	12.1	11.0	6.00	7.10	
5P	11.1	10.0	5.00	6.10	
4P	10.1	9.0	4.00	5.10	



				TOLERANCE UNLESS OTHERWISE		DRAWN	CK tan	XFCN兴飞连接器有限公司 CONNECTORS XFCN CONNECTORS CO., LTD.		SHEET	1/1	
				X.	±0.30	X°	±5°			CHKD	DATE	2010. 4. 12
				.X	±0.20	.X°	±2°	APPD	PRODUCT NAME	FPC 1.00mm Connectors	UNITS	mm
				.XX	±0.08	.XX°	±1°	VIEW	PART. NO.	F1003-ZV-XX-20T	SCALE	1:1
				.XXX	±0.03	.XXX°	±0.5°				DWG NO.	009
AO	MODIFICATION	DRAW	DATE									

X-ON Electronics

Largest Supplier of Electrical and Electronic Components

Click to view similar products for [FFC & FPC Connectors](#) category:

Click to view products by [XFCN](#) manufacturer:

Other Similar products are found below :

[HFW11R-1STE1H1LF](#) [FH29B-100S-0.2SHW\(99\)](#) [FA5S008HP1](#) [FH29B-120S-0.2SHW\(99\)](#) [FH29B-80S-0.2SHW\(99\)](#) [FHS-16](#) [FPH-2022G](#)
[52610-1075](#) [52610-1275](#) [52610-1934](#) [XF3M\(1\)-1415-1B-R100](#) [501864-3091-TR225](#) [0525594033](#) [086210010340800](#) [086222026001800](#)
[52271-2869-CUT-TAPE](#) [62674-201121DLF](#) [62684-36210E9ALF](#) [52610-1675](#) [52746-1671-TR250](#) [10051922-2810EHLF](#) [6-520415-9](#)
[BD021-09A-A1-0350-0200-0550-LD](#) [SFV6R-1STE9HLF](#) [XF3M-2915-1B-R100](#) [1658549-1](#) [62674-221121ALF](#) [46214008010800](#)
[046298003000883](#) [151660622](#) [842-816-2630-035](#) [AYF530665TA](#) [AYF351525](#) [046296011930846+](#) [AYF352325A](#) [046254020000800+](#)
[FH19C-13S-0.5SH\(99\)](#) [FH39J-51S-0.3SHW\(99\)](#) [AYF355125A](#) [AYF530365TA](#) [FH29B-44S-0.2SHW\(99\)](#) [SFW5R-2STAE9LF](#) [AYF351125A](#)
[AYF350725A](#) [62684-502100AHLF](#) [FH39-61S-0.3SHW\(99\)](#) [AYF414035A](#) [10064555-172520HLF](#) [AYF212335A](#) [504754-2500](#)