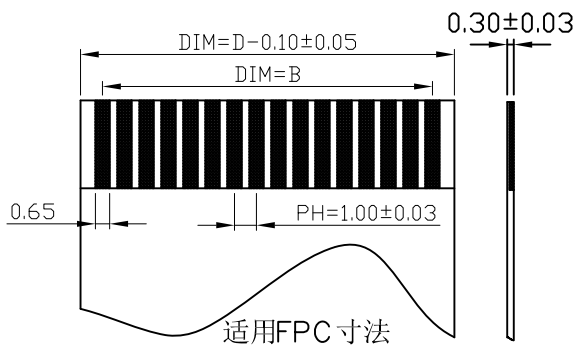
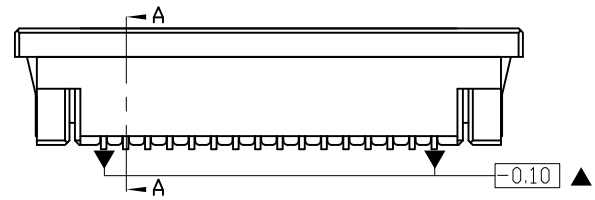
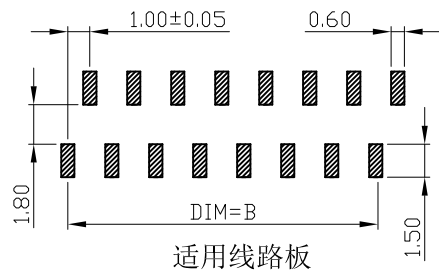
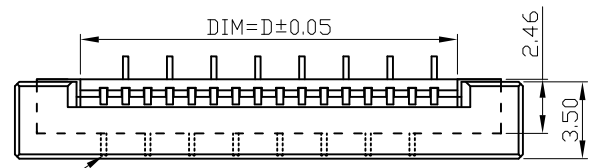
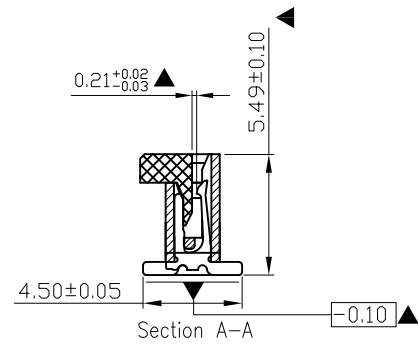
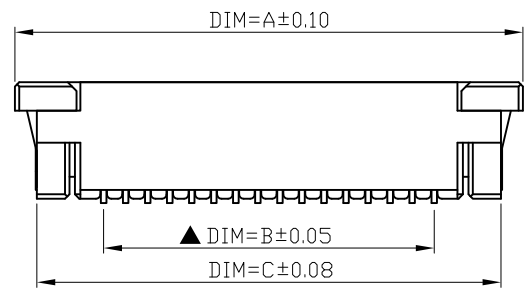


环保物料

TEL:0769-82001899

- NOTES:
- HOUSING MATERIAL: HEAT RESISTANT PLASTIC UL94 V-0.
ACTUATOR MATERIAL: HEAT RESISTANT PLASTIC UL94 V-0.
 - TERMINAL MATERIAL: Phosphor Bronze
2-1.90u"~120u" Tin/Lead Over&40u"~60u" Nickel Under Plated.
2-2.75"~150u" Tin Over& 50u"~100u" Nickel Under Plated. (Lead Free)
 - FITTING NAIL MATERIAL: Phosphor Bronze
3-1.90u"~120u" Tin/Lead Over&40u"~60u" Nickel Under Plated.
3-2.75"~150u" Tin Over& 50u"~100u" Nickel Under Plated. (Lead Free)



P数	DIM=A	DIM=B	DIM=C	DIM=D	P数	DIM=A	DIM=B	DIM=C	DIM=D
4	11.06	3.00	9.06	5.10	20	27.06	19.00	25.06	21.10
5	12.06	4.00	10.06	6.10	21	28.06	20.00	26.06	22.10
6	13.06	5.00	11.06	7.10	22	29.06	21.00	27.06	23.10
7	14.06	6.00	12.06	8.10	23	30.06	22.00	28.06	24.10
8	15.06	7.00	13.06	9.10	24	31.06	23.00	29.06	25.10
9	16.06	8.00	14.06	10.10	25	32.06	24.00	30.06	26.10
10	17.06	9.00	15.06	11.10	26	33.06	25.00	31.06	27.10
11	18.06	10.00	16.06	12.10	27	34.06	26.00	32.06	28.10
12	19.06	11.00	17.06	13.10	28	35.06	27.00	33.06	29.10
13	20.06	12.00	18.06	14.10	29	36.06	28.00	34.06	30.10
14	21.06	13.00	19.06	15.10	30	37.06	29.00	35.06	31.10
15	22.06	14.00	20.06	16.10	31	38.06	30.00	36.06	32.10
16	23.06	15.00	21.06	17.10	32	39.06	31.00	37.06	33.10
17	24.06	16.00	22.06	18.10	33	40.06	32.00	38.06	34.10
18	25.06	17.00	23.06	19.10	34	41.06	33.00	39.06	35.10
19	26.06	18.00	24.06	20.10	35	42.06	34.00	40.06	36.10

AO	MODIFICATION	DRAW	DATE
VER			

TOLERANCE UNLESS OTHERWISE		DRAWN	CK tan
X.	±0.30 X° ±5°	CHKD	
.X	±0.20 .X° ±2°	APPD	
.XX	±0.08 .XX° ±1°	VIEW	⊕ ⊖
.XXX	±0.03 .XXX° ±0.5°		

XFCN 兴飞连接器有限公司
XFCN CONNECTORS CO.,LTD.

PRODUCT NAME: 1.00mm FPC Connectors

PART. NO.: F1003-ZV-xx-25T-R

SHEET	1/1
DATE	2020.04.12
UNITS	mm
SCALE	1:1
DWG. NO.	009

X-ON Electronics

Largest Supplier of Electrical and Electronic Components

Click to view similar products for [FFC & FPC Connectors](#) category:

Click to view products by [XFCN](#) manufacturer:

Other Similar products are found below :

[00-6200-227-022-800](#) [006205250500825+](#) [006205280500825+](#) [FPH-1602G](#) [FPH-2022G](#) [52610-1275](#) [501864-3091-TR225](#)
[086222026001800](#) [52610-0675](#) [62674-201121DLF](#) [62684-36210E9ALF](#) [52746-1671-TR250](#) [10051922-2810EHLF](#) [686322124422](#) [XF3M-](#)
[2915-1B-R100](#) [AYF353125A](#) [AYF530665TA](#) [AYF534065TA](#) [AYF351525](#) [086212040340800+](#) [AYF530365TA](#) [67000-004LF](#)
[006207341915000+](#) [207356-1](#) [67000-003LF](#) [HFW14R-2STE9LF](#) [SFW12R-5STE9LF](#) [SFW18R-1STAE9LF](#) [SFW4R-5STE9LF](#) [52807-0430](#)
[046283021002868+](#) [502250-8027](#) [104267-9617](#) [66987-011LF](#) [HFW8S-2STAE1HLF](#) [67000-008LF](#) [HFW22R-2STE1H1LF](#) [0781271110](#)
[5019511030](#) [200528-0260](#) [5039084120](#) [503908-5120](#) [SFW20R-1STGE5LF](#) [FH12-18S-0.5SH](#) [686116183522](#) [FH64MA-11S-0.25SHW](#)
[686114183522](#) [502078-5362](#) [FH52K-68S-0.5SH](#) [FH26W-23S-0.3SHW\(60\)](#)